

**Revision D:**

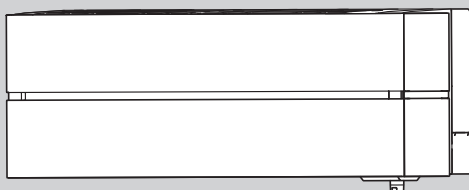
• MSZ-LN18VG2W/V/B/R- [E2],  
MSZ-LN25/35/50VG2W/V/B/R- [E2], [ER2], [EN2], [ET2] and  
MSZ-LN60VG2W/V/B/R- [E2], [ER2], [ET2] have been  
added.

OBB766 REVISED EDITION-C is void.

# INDOOR UNIT PARTS CATALOG

**No. OBB766  
REVISED EDITION-D**
**Models**

<b>MSZ-LN18VGW</b> - [E1]	<b>MSZ-LN50VGW</b> - [E1], [ER1]
<b>MSZ-LN18VGV</b> - [E1]	<b>MSZ-LN50VGV</b> - [E1], [ER1]
<b>MSZ-LN18VGB</b> - [E1]	<b>MSZ-LN50VGB</b> - [E1], [ER1]
<b>MSZ-LN18VGR</b> - [E1]	<b>MSZ-LN50VGR</b> - [E1], [ER1]
<b>MSZ-LN18VG2W</b> - [E1], [ER1], [EN1], [ET1], [E2]	<b>MSZ-LN50VG2W</b> - [E1], [ER1], [EN1], [ET1], [E2], [ER2], [EN2], [ET2]
<b>MSZ-LN18VG2V</b> - [E1], [EN1], [ET1], [E2]	<b>MSZ-LN50VG2V</b> - [E1], [ER1], [EN1], [ET1], [E2], [ER2], [EN2], [ET2]
<b>MSZ-LN18VG2B</b> - [E1], [EN1], [ET1], [E2]	<b>MSZ-LN50VG2B</b> - [E1], [ER1], [EN1], [ET1], [E2], [ER2], [EN2], [ET2]
<b>MSZ-LN18VG2R</b> - [E1], [EN1], [ET1], [E2]	<b>MSZ-LN50VG2R</b> - [E1], [ER1], [EN1], [ET1], [E2], [ER2], [EN2], [ET2]
<b>MSZ-LN25VGW</b> - [E1], [ER1]	<b>MSZ-LN60VGW</b> - [E1], [ER1]
<b>MSZ-LN25VGV</b> - [E1], [ER1]	<b>MSZ-LN60VGV</b> - [E1], [ER1]
<b>MSZ-LN25VGB</b> - [E1], [ER1]	<b>MSZ-LN60VGB</b> - [E1], [ER1]
<b>MSZ-LN25VGR</b> - [E1], [ER1]	<b>MSZ-LN60VGR</b> - [E1], [ER1]
<b>MSZ-LN25VG2W</b> - [E1], [ER1], [EN1], [ET1], [E2], [ER2], [EN2], [ET2]	<b>MSZ-LN60VG2W</b> - [E1], [ER1], [ET1], [E2], [ER2], [ET2]
<b>MSZ-LN25VG2V</b> - [E1], [ER1], [EN1], [ET1], [E2], [ER2], [EN2], [ET2]	<b>MSZ-LN60VG2V</b> - [E1], [ER1], [ET1], [E2], [ER2], [ET2]
<b>MSZ-LN25VG2B</b> - [E1], [ER1], [EN1], [ET1], [E2], [ER2], [EN2], [ET2]	<b>MSZ-LN60VG2B</b> - [E1], [ER1], [ET1], [E2], [ER2], [ET2]
<b>MSZ-LN25VG2R</b> - [E1], [ER1], [EN1], [ET1], [E2], [ER2], [EN2], [ET2]	<b>MSZ-LN60VG2R</b> - [E1], [ER1], [ET1], [E2], [ER2], [ET2]
<b>MSZ-LN35VGW</b> - [E1], [ER1]	
<b>MSZ-LN35VGV</b> - [E1], [ER1]	
<b>MSZ-LN35VGB</b> - [E1], [ER1]	
<b>MSZ-LN35VGR</b> - [E1], [ER1]	
<b>MSZ-LN35VG2W</b> - [E1], [ER1], [EN1], [ET1], [E2], [ER2], [EN2], [ET2]	
<b>MSZ-LN35VG2V</b> - [E1], [ER1], [EN1], [ET1], [E2], [ER2], [EN2], [ET2]	
<b>MSZ-LN35VG2B</b> - [E1], [ER1], [EN1], [ET1], [E2], [ER2], [EN2], [ET2]	
<b>MSZ-LN35VG2R</b> - [E1], [ER1], [EN1], [ET1], [E2], [ER2], [EN2], [ET2]	



MSZ-LN25VGW/V/B/R  
MSZ-LN35VGW/V/B/R  
MSZ-LN50VGW/V/B/R  
MSZ-LN60VGW/V/B/R


**CONTENTS**

1. SERVICE PARTS LIST ..... 2
2. OPTIONAL PARTS ..... 104

**SERVICE MANUAL (OBH766)**

### Revision A:

• MSZ-LN18VGW/V/B/R- [E1] have been added.

### Revision B:

• MSZ-LN18VG2W/V/B/R- [E1], [EN1], [ET1], MSZ-LN25VG2W/V/B/R- [E1], [EN1], [ET1], MSZ-LN35VG2W/V/B/R- [E1], [EN1], [ET1], MSZ-LN50VG2W/V/B/R- [E1], [EN1], [ET1], and MSZ-LN60VG2W/V/B/R- [E1], [ET1] have been added.  
• Some descriptions have been modified.

### Revision C:

• MSZ-LN18VG2W- [ER1] and MSZ-LN25/35/50/60VG2W/V/B/R- [ER1] have been added.

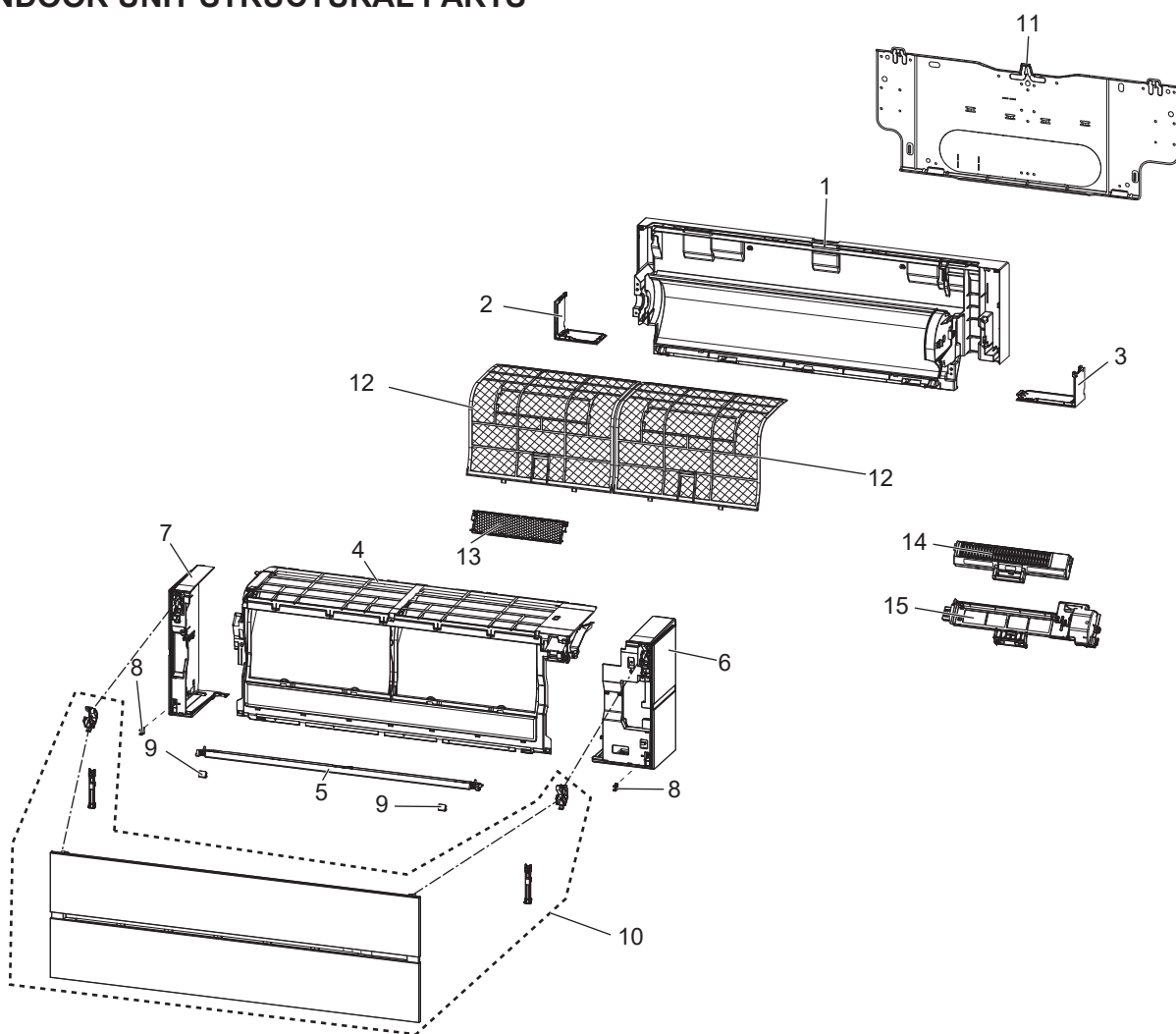
### Revision D:

• MSZ-LN18VG2W/V/B/R- [E2], MSZ-LN25/35/50VG2W/V/B/R- [E2], [ER2], [EN2], [ET2] and MSZ-LN60VG2W/V/B/R- [E2], [ER2], [ET2] have been added.

## 1 SERVICE PARTS LIST

MSZ-LN18VGW- [E1]    MSZ-LN18VGV- [E1]    MSZ-LN18VGB- [E1]    MSZ-LN18VGR- [E1]

### 1-1. INDOOR UNIT STRUCTURAL PARTS



### 1-2. ACCESSORY AND REMOTE CONTROLLER



## 1-1. INDOOR UNIT STRUCTURAL PARTS

1. The part quantity below indicates the required number of pieces per unit.

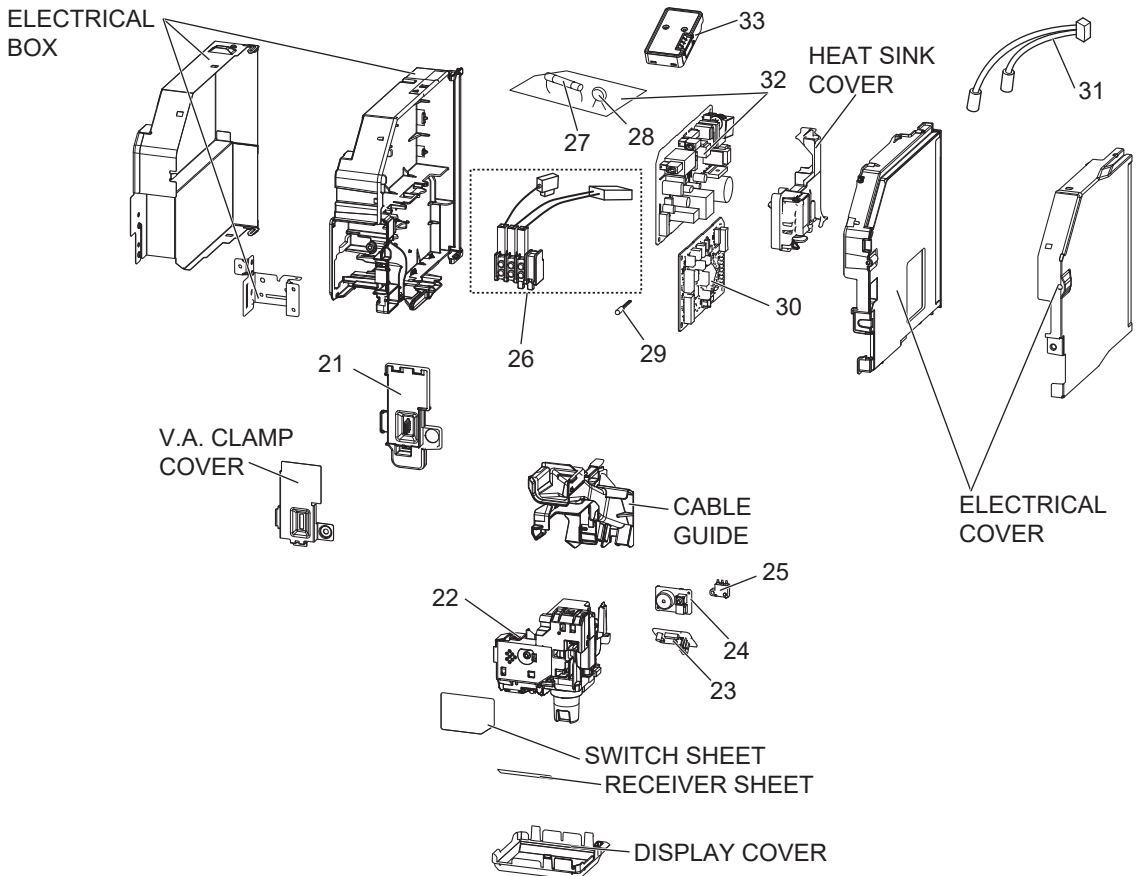
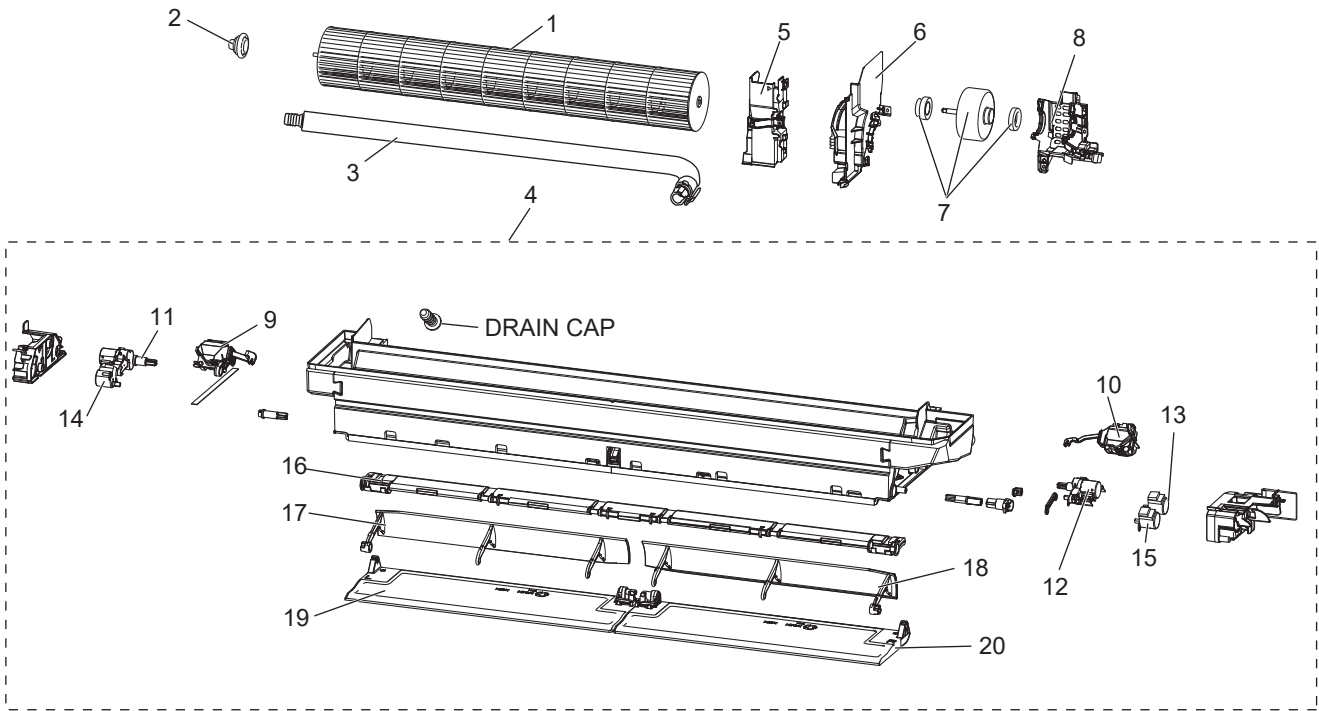
No.	Part No.	Part name	MSZ-LN18VGW-[E1]	MSZ-LN18VGV-[E1]	MSZ-LN18VGB-[E1]	MSZ-LN18VGR-[E1]	Symbol in Wiring Diagram	Remarks
1	E22 Y52 234	BOX ASSEMBLY	1	1				
1	E22 Y60 234	BOX ASSEMBLY			1	1		
2	E22 Y52 976	CORNER BOX (L)	1	1				
2	E22 Y60 976	CORNER BOX (L)			1	1		
3	E22 Y52 975	CORNER BOX (R)	1	1				
3	E22 Y60 975	CORNER BOX (R)			1	1		
4	E22 Y52 000	PANEL ASSEMBLY (F)	1	1				
4	E22 Y60 000	PANEL ASSEMBLY (F)			1	1		
5	E22 Y52 717	PANEL (U)	1	1				
5	E22 Y60 717	PANEL (U)			1			
5	E22 Y64 717	PANEL (U)				1		
6	E22 Y52 085	PANEL ASSEMBLY (R)	1					
6	E22 Y56 085	PANEL ASSEMBLY (R)		1				
6	E22 Y60 085	PANEL ASSEMBLY (R)			1			
6	E22 Y64 085	PANEL ASSEMBLY (R)				1		
7	E22 Y52 086	PANEL ASSEMBLY (L)	1					
7	E22 Y56 086	PANEL ASSEMBLY (L)		1				
7	E22 Y60 086	PANEL ASSEMBLY (L)			1			
7	E22 Y64 086	PANEL ASSEMBLY (L)				1		
8	E22 F95 142	CATCH	2	2	2	2		2 PCS/SET
9	E22 Y52 067	SCREW CAP	2	2				
9	E22 Y60 067	SCREW CAP			2			
9	E22 Y64 067	SCREW CAP				2		
10	E22 Y52 010	FRONT PANEL	1					
10	E22 Y56 010	FRONT PANEL		1				
10	E22 Y60 010	FRONT PANEL			1			
10	E22 Y64 010	FRONT PANEL				1		
11	E22 Y52 970	INSTALLATION PLATE	1	1	1	1		
12	E22 Y52 100	AIR FILTER	2	2	2			1 PC/SET
12	E22 Y64 100	AIR FILTER				2		1 PC/SET
13	—	AIR CLEANING FILTER (DEODORIZING FILTER)	1	1	1	1		1 PC/SET MAC-3010FT-E
14	E22 Y52 774	AIR PURIFYING DEVICE	1	1	1	1		
15	E22 Y52 775	AIR PURIFYING DEVICE SUPPORT	1	1	1	1		

## 1-2. ACCESSORY AND REMOTE CONTROLLER

1. The part quantity below indicates the required number of pieces per unit.

No.	Part No.	Part name	MSZ-LN18VGW-[E1]	MSZ-LN18VGV-[E1]	MSZ-LN18VGB-[E1]	MSZ-LN18VGR-[E1]	Symbol in Wiring Diagram	Remarks
16	E22 Y52 426	REMOTE CONTROLLER	1					SG16L
16	E22 Y56 426	REMOTE CONTROLLER		1				XG16A
16	E22 Y60 426	REMOTE CONTROLLER			1			XG16C
16	E22 Y64 426	REMOTE CONTROLLER				1		XG16B

**MSZ-LN18VGW -E1    MSZ-LN18VGV -E1    MSZ-LN18VGB -E1    MSZ-LN18VGR -E1**  
**1-3. INDOOR UNIT ELECTRICAL PARTS AND FUNCTIONAL PARTS**

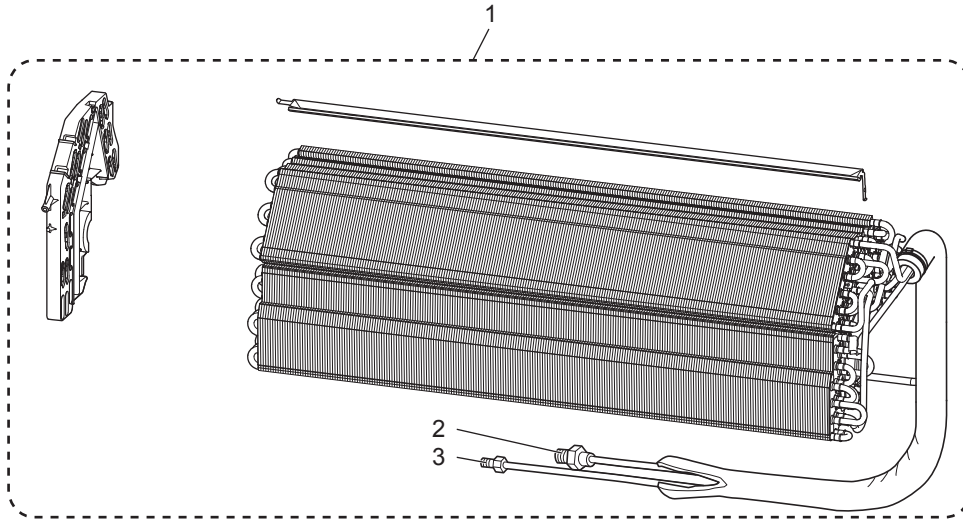


### 1-3. INDOOR UNIT ELECTRICAL PARTS AND FUNCTIONAL PARTS

1. The part quantity below indicates the required number of pieces per unit.

No.	Part No.	Part name	MSZ-LN18VGW- <sup>[E1]</sup>	MSZ-LN18VGV- <sup>[E1]</sup>	MSZ-LN18VGB- <sup>[E1]</sup>	MSZ-LN18VGR- <sup>[E1]</sup>	Symbol in Wiring Diagram	Remarks
1	E22 Y52 302	LINE FLOW FAN	1	1	1	1		
2	E22 A89 509	BEARING MOUNT ASSEMBLY	1	1	1	1		Includes SLEEVE BEARING
3	E22 T20 702	DRAIN HOSE	1	1	1	1		
4	E22 Y52 235	NOZZLE ASSEMBLY	1	1				
4	E22 Y60 235	NOZZLE ASSEMBLY			1			
4	E22 Y64 235	NOZZLE ASSEMBLY				1		
5	E22 Y52 541	WATER COVER	1	1	1	1		
6	E22 Y52 333	MOTOR BAND	1	1	1	1		
7	E22 Y52 300	INDOOR FAN MOTOR	1	1	1	1	MF	RC0J30-□□
8	E22 20A 333	MOTOR BED	1	1	1	1		
9	E22 J44 303	VANE MOTOR (L) (VERTICAL)	1	1	1	1	MV2	(RIGHT & LEFT)
10	E22 J44 303	VANE MOTOR (R) (VERTICAL)	1	1	1	1	MV2	(RIGHT & LEFT)
11	E22 Y53 303	OUTER VANE MOTOR (L) (HORIZONTAL)	1	1	1	1	MV1	(UP & DOWN)
12	E22 Y54 303	OUTER VANE MOTOR (R) (HORIZONTAL)	1	1	1	1	MV1	(UP & DOWN)
13	E22 A89 303	VANE MOTOR (HORIZONTAL)	1	1	1	1	MV1	(UP & DOWN)
14	E22 A89 303	VANE MOTOR (L) (HORIZONTAL)	1	1	1	1	MV1	(UP & DOWN)
15	E22 A89 303	VANE MOTOR (R) (HORIZONTAL)	1	1	1	1	MV1	(UP & DOWN)
16	E22 Y52 046	VANE SLIDE ASSEMBLY	1	1				
16	E22 Y60 046	VANE SLIDE ASSEMBLY			1	1		
17	E22 Y53 040	INNER VANE (L)	1	1	1	1		
18	E22 Y52 040	INNER VANE (R)	1	1	1	1		
19	E22 Y53 041	OUTER VANE (L)	1	1				
19	E22 Y61 041	OUTER VANE (L)			1			
19	E22 Y65 041	OUTER VANE (L)				1		
20	E22 Y52 041	OUTER VANE (R)	1	1				
20	E22 Y60 041	OUTER VANE (R)			1			
20	E22 Y64 041	OUTER VANE (R)				1		
21	E22 Y52 784	V.A. CLAMP	1	1	1	1		
22	E22 Y52 391	DISPLAY AND i-see SENSOR ASSEMBLY	1	1			MT	
22	E22 Y60 391	DISPLAY AND i-see SENSOR ASSEMBLY			1	1	MT	
23	E22 Y52 468	DISPLAY AND RECEIVER P.C. BOARD	1	1	1	1		
24	E22 Y52 326	SWITCH BUZZER P.C. BOARD	1	1	1	1		
25	E22 Y52 316	INTER LOCK SWITCH (AIR PURIFYING DEVICE)	1	1	1	1		
26	E22 T21 375	TERMINAL BLOCK	1	1	1	1	TB	3P
27	E22 A49 382	FUSE	1	1	1	1	F11	T3.15AL250V
28	E22 B75 385	VARISTOR	1	1	1	1	NR11	
29	E22 Y52 308	ROOM TEMPERATURE THERMISTOR	1	1	1	1	RT11	
30	E22 28L 452	ELECTRONIC CONTROL P.C. BOARD	1	1	1	1		
31	E22 Y52 307	INDOOR COIL THERMISTOR	1	1	1	1	RT12, RT13	
32	E22 Y52 440	POWER P.C. BOARD	1	1	1	1		
33	E22 Y52 457	Wi-Fi INTERFACE MAC-567IFB-E	1	1	1	1		MAC-567IFB-E

**MSZ-LN18VGW - E1    MSZ-LN18VGV - E1    MSZ-LN18VGB - E1    MSZ-LN18VGR - E1**  
**1-4. INDOOR UNIT HEAT EXCHANGER**





### 1-4. INDOOR UNIT HEAT EXCHANGER

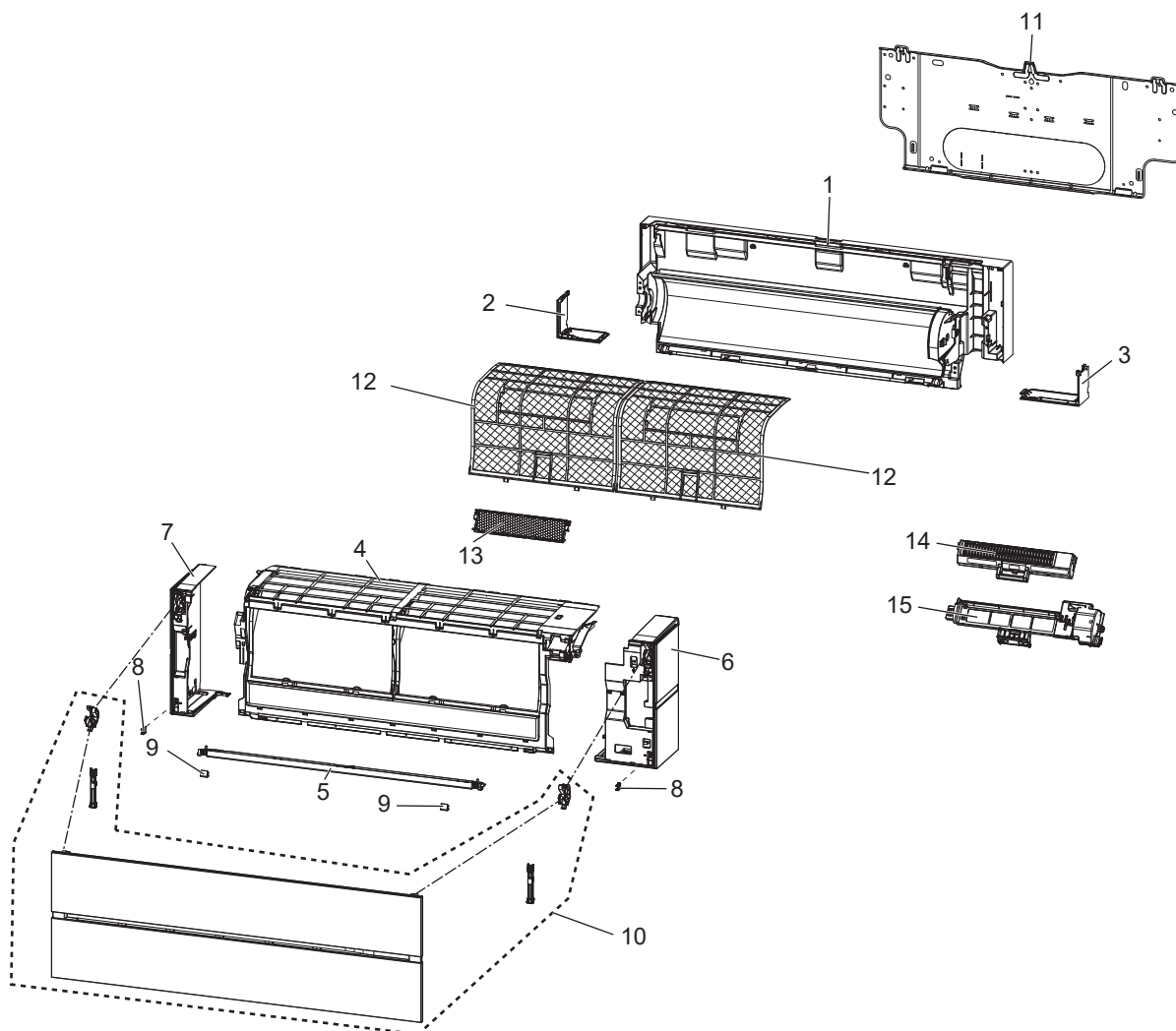
1. The part quantity below indicates the required number of pieces per unit.

No.	Part No.	Part name	MSZ-LN18VGW - [E1]	MSZ-LN18VGV - [E1]	MSZ-LN18VGB - [E1]	MSZ-LN18VGR - [E1]	Symbol in Wiring Diagram	Remarks
1	E22 Y52 620	INDOOR HEAT EXCHANGER	1	1	1	1		
2	E22 815 666	UNION (GAS)	1	1	1	1		ø9.52
3	E22 151 667	UNION (LIQUID)	1	1	1	1		ø6.35

MSZ-LN18VG2W - [E1], [ER1], [EN1], [ET1]

MSZ-LN18VG2V - [E1], [EN1], [ET1] MSZ-LN18VG2B - [E1], [EN1], [ET1] MSZ-LN18VG2R - [E1], [EN1], [ET1]

### 1-5. INDOOR UNIT STRUCTURAL PARTS



### 1-6. ACCESSORY AND REMOTE CONTROLLER





## 1-5. INDOOR UNIT STRUCTURAL PARTS

1. The part quantity below indicates the required number of pieces per unit.

No.	Part No.	Part name	MSZ-LN18VG2W -[E]	MSZ-LN18VG2V -[E]	MSZ-LN18VG2B -[E]	MSZ-LN18VG2R -[E]	MSZ-LN18VG2W -[ER]	MSZ-LN18VG2W -[ET]	MSZ-LN18VG2V -[ET]	MSZ-LN18VG2B -[ET]	MSZ-LN18VG2R -[ET]	MSZ-LN18VG2W -[EN]	MSZ-LN18VG2B -[EN]	MSZ-LN18VG2R -[EN]	Symbol in Wiring Diagram	Remarks
1	E22 Y52 234	BOX ASSEMBLY	1	1			1	1	1			1	1			
1	E22 Y60 234	BOX ASSEMBLY			1	1				1	1			1	1	
2	E22 Y52 976	CORNER BOX (L)	1	1			1	1	1			1	1			
2	E22 Y60 976	CORNER BOX (L)			1	1				1	1			1	1	
3	E22 Y52 975	CORNER BOX (R)	1	1			1	1	1			1	1			
3	E22 Y60 975	CORNER BOX (R)			1	1				1	1			1	1	
4	E22 Y52 000	PANEL ASSEMBLY (F)	1	1			1	1	1			1	1			
4	E22 Y60 000	PANEL ASSEMBLY (F)			1	1				1	1			1	1	
5	E22 Y52 717	PANEL (U)	1	1			1	1	1			1	1			
5	E22 Y60 717	PANEL (U)			1					1				1		
5	E22 Y64 717	PANEL (U)				1					1				1	
6	E22 Y52 085	PANEL ASSEMBLY (R)	1				1	1				1				
6	E22 Y56 085	PANEL ASSEMBLY (R)		1					1				1			
6	E22 Y60 085	PANEL ASSEMBLY (R)			1					1				1		
6	E22 Y64 085	PANEL ASSEMBLY (R)				1					1				1	
7	E22 Y52 086	PANEL ASSEMBLY (L)	1				1	1				1				
7	E22 Y56 086	PANEL ASSEMBLY (L)		1					1				1			
7	E22 Y60 086	PANEL ASSEMBLY (L)			1					1				1		
7	E22 Y64 086	PANEL ASSEMBLY (L)				1					1				1	
8	E22 F95 142	CATCH	2	2	2	2	2	2	2	2	2	2	2	2		2 PCS/SET
9	E22 Y52 067	SCREW CAP	2	2			2	2	2			2	2			
9	E22 Y60 067	SCREW CAP			2					2				2		
9	E22 Y64 067	SCREW CAP				2					2				2	
10	E22 Y52 010	FRONT PANEL	1				1	1				1				
10	E22 Y56 010	FRONT PANEL		1					1				1			
10	E22 Y60 010	FRONT PANEL			1					1				1		
10	E22 Y64 010	FRONT PANEL				1					1				1	
11	E22 Y52 970	INSTALLATION PLATE	1	1	1	1	1	1	1	1	1	1	1	1		
12	E22 Y52 100	AIR FILTER	2	2	2		2	2	2		2	2	2			1 PC/SET
12	E22 Y64 100	AIR FILTER				2					2			2		1 PC/SET
13	—	AIR CLEANING FILTER (DEODORIZING FILTER)	1	1	1	1	1	1	1	1	1	1	1	1		1 PC/SET MAC-3010FT-E
14	E22 Y52 774	AIR PURIFYING DEVICE	1	1	1	1	1	1	1	1	1	1	1	1		
15	E22 65J 775	AIR PURIFYING DEVICE SUPPORT	1	1	1	1	1	1	1	1	1	1	1	1		

## 1-6. ACCESSORY AND REMOTE CONTROLLER

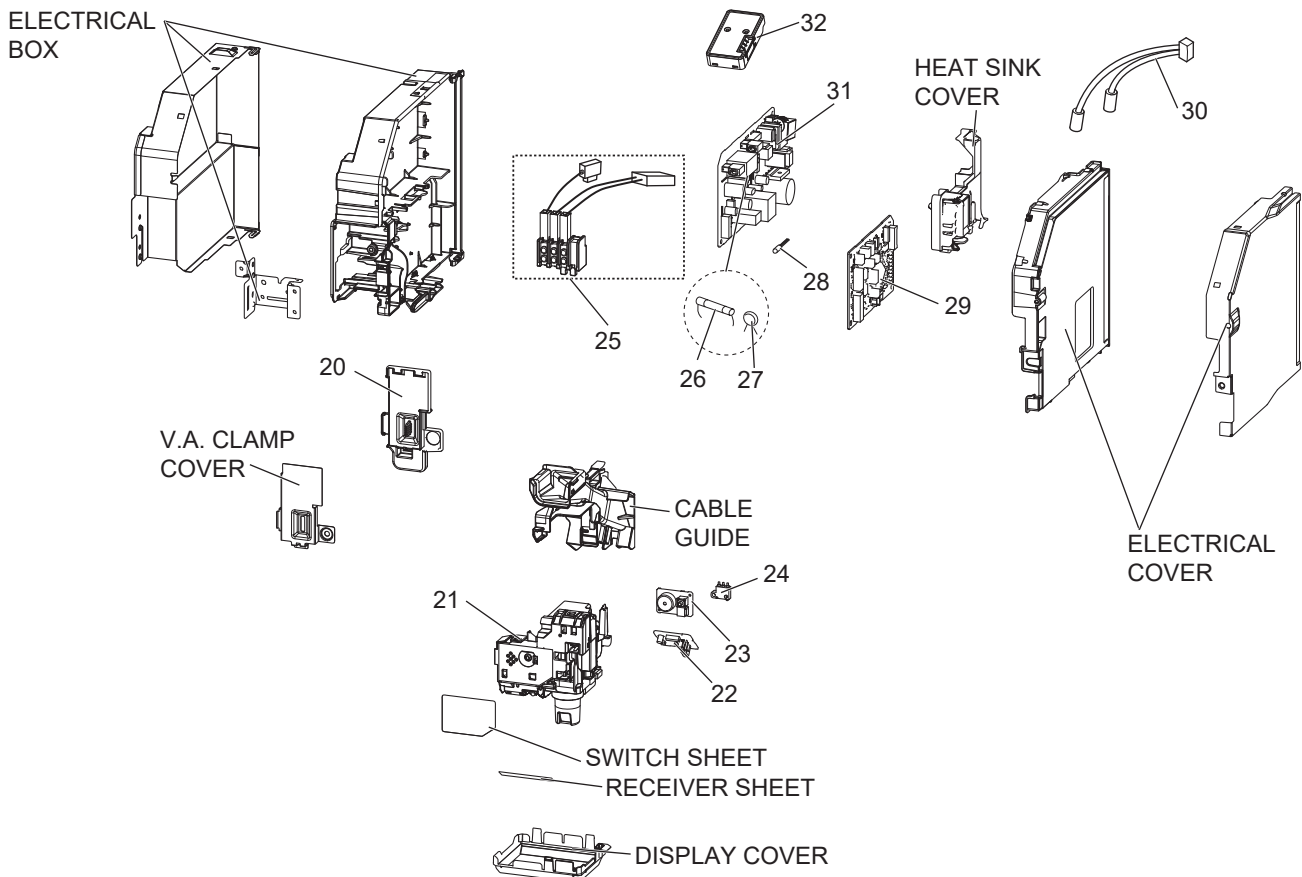
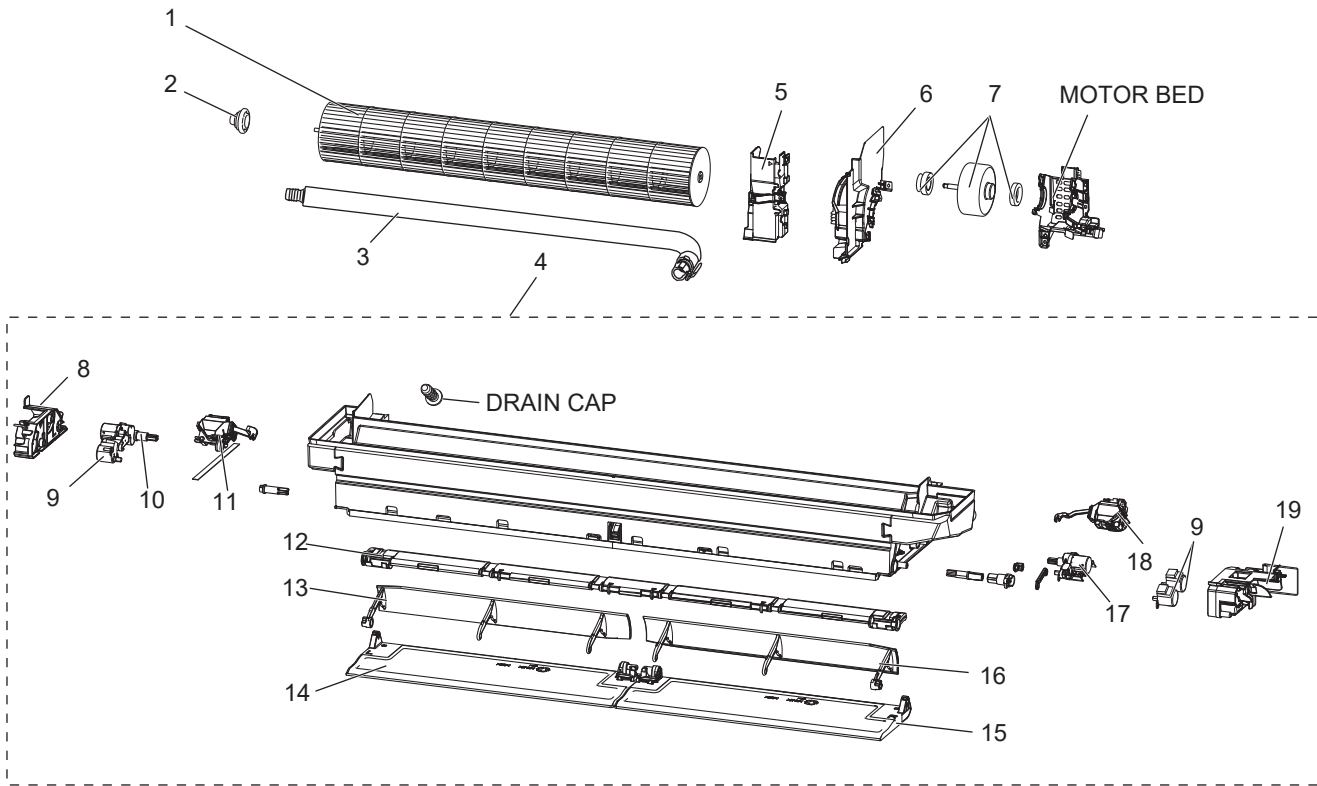
1. The part quantity below indicates the required number of pieces per unit.

No.	Part No.	Part name	MSZ-LN18VG2W -[E]	MSZ-LN18VG2V -[E]	MSZ-LN18VG2B -[E]	MSZ-LN18VG2R -[E]	MSZ-LN18VG2W -[ER]	MSZ-LN18VG2W -[ET]	MSZ-LN18VG2V -[ET]	MSZ-LN18VG2B -[ET]	MSZ-LN18VG2R -[ET]	MSZ-LN18VG2W -[EN]	MSZ-LN18VG2B -[EN]	MSZ-LN18VG2R -[EN]	Symbol in Wiring Diagram	Remarks
16	E22 65J 426	REMOTE CONTROLLER	1					1								SG19N
16	E22 66J 426	REMOTE CONTROLLER		1					1							XG19D
16	E22 67J 426	REMOTE CONTROLLER			1					1						XG19F
16	E22 68J 426	REMOTE CONTROLLER				1					1					XG19E
16	E22 91P 426	REMOTE CONTROLLER					1									SG19N
16	E22 81J 426	REMOTE CONTROLLER										1				SG19L
16	E22 82J 426	REMOTE CONTROLLER											1			XG19A
16	E22 83J 426	REMOTE CONTROLLER												1		XG19C
16	E22 84J 426	REMOTE CONTROLLER													1	XG19B

MSZ-LN18VG2W - [E1], [ER1], [EN1], [ET1]

MSZ-LN18VG2V - [E1], [EN1], [ET1] MSZ-LN18VG2B - [E1], [EN1], [ET1] MSZ-LN18VG2R - [E1], [EN1], [ET1]

### 1-7. INDOOR UNIT ELECTRICAL PARTS AND FUNCTIONAL PARTS



## 1-7. INDOOR UNIT ELECTRICAL PARTS AND FUNCTIONAL PARTS

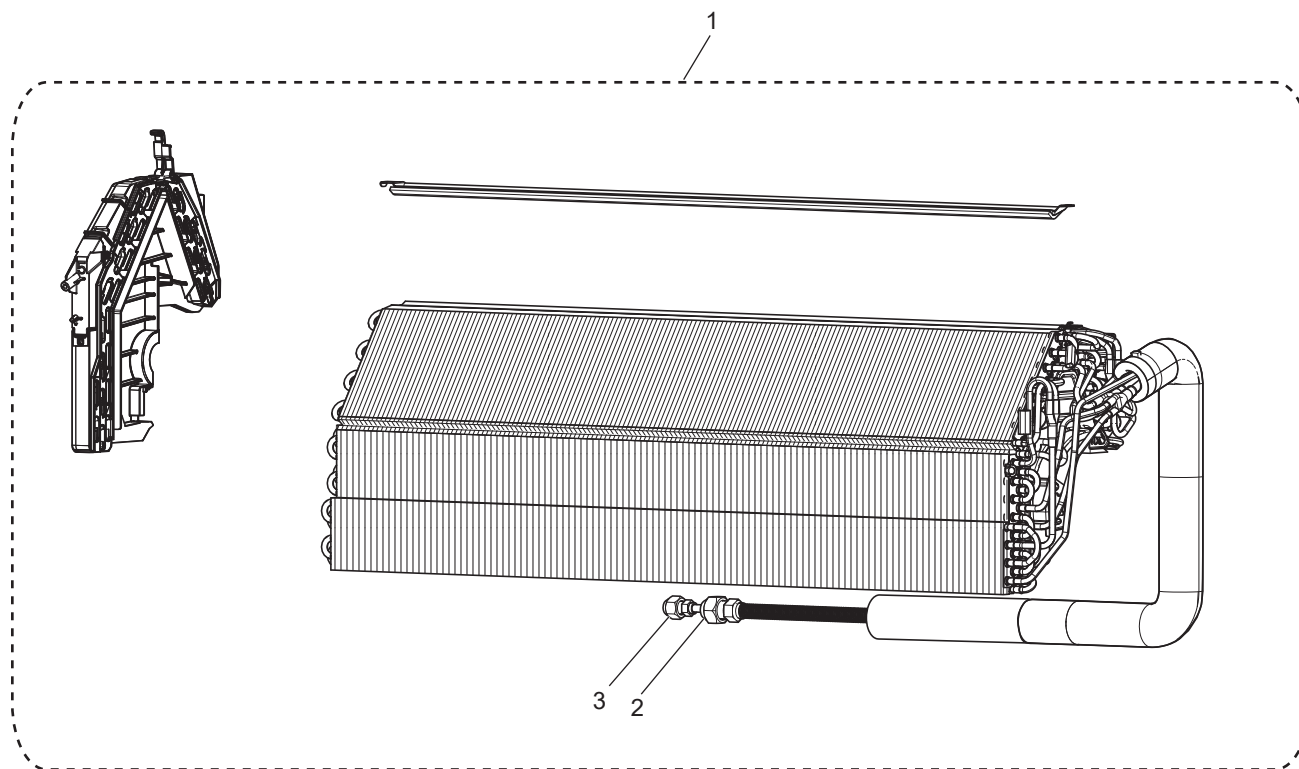
1. The part quantity below indicates the required number of pieces per unit.

No.	Part No.	Part name	MSZ-LN18VG2W-E1	MSZ-LN18VG2V-E1	MSZ-LN18VG2B-E1	MSZ-LN18VG2R-E1	MSZ-LN18VG2W-ER1	MSZ-LN18VG2W-ET1	MSZ-LN18VG2V-ET1	MSZ-LN18VG2B-ET1	MSZ-LN18VG2R-ET1	MSZ-LN18VG2W-EN1	MSZ-LN18VG2V-EN1	MSZ-LN18VG2B-EN1	MSZ-LN18VG2R-EN1	Symbol in Wiring Diagram	Remarks
			1	1	1	1	1	1	1	1	1	1	1	1	1		
1	E22 Y52 302	LINE FLOW FAN	1	1	1	1	1	1	1	1	1	1	1	1	1		
2	E22 A89 509	BEARING MOUNT ASSEMBLY	1	1	1	1	1	1	1	1	1	1	1	1	1		
3	E22 T20 702	DRAIN HOSE	1	1	1	1	1	1	1	1	1						
3	E22 81J 702	DRAIN HOSE										1	1	1	1		
4	E22 Y52 235	NOZZLE ASSEMBLY	1	1			1	1	1			1	1				
4	E22 Y60 235	NOZZLE ASSEMBLY			1					1				1			
4	E22 Y64 235	NOZZLE ASSEMBLY				1					1				1		
5	E22 65J 541	WATER COVER	1	1	1	1	1	1	1	1	1	1	1	1	1		
6	E22 Y52 333	MOTOR BAND	1	1	1	1	1	1	1	1	1	1	1	1	1		
7	E22 65J 300	INDOOR FAN MOTOR	1	1	1	1	1	1	1	1	1	1	1	1	1	MF	RC0J40-□□
8	E22 65J 303	VANE MOTOR UNIT (L) (VERTICAL)	1	1	1	1	1	1	1	1	1	1	1	1	1	MV2	(RIGHT & LEFT)
9	E22 A89 303	VANE MOTOR (HORIZONTAL)	3	3	3	3	3	3	3	3	3	3	3	3	3	MV1	(UP & DOWN)
10	E22 Y53 303	OUTER VANE MOTOR (L) (HORIZONTAL)	1	1	1	1	1	1	1	1	1	1	1	1	1	MV1	(UP & DOWN)
11	E22 67J 303	VANE MOTOR (L) (VERTICAL)	1	1	1	1	1	1	1	1	1	1	1	1	1	MV2	(RIGHT & LEFT)
12	E22 Y52 046	VANE SLIDE ASSEMBLY	1	1			1	1	1			1	1				
12	E22 Y60 046	VANE SLIDE ASSEMBLY			1	1				1	1			1	1		
13	E22 Y53 040	INNER VANE (L)	1	1	1	1	1	1	1	1	1	1	1	1	1		
14	E22 Y53 041	OUTER VANE (L)	1	1			1	1	1			1	1				
14	E22 Y61 041	OUTER VANE (L)			1					1				1			
14	E22 Y65 041	OUTER VANE (L)				1					1				1		
15	E22 Y52 041	OUTER VANE (R)	1	1			1	1	1			1	1				
15	E22 Y60 041	OUTER VANE (R)			1					1				1			
15	E22 Y64 041	OUTER VANE (R)				1					1				1		
16	E22 Y52 040	INNER VANE (R)	1	1	1	1	1	1	1	1	1	1	1	1	1		
17	E22 Y54 303	OUTER VANE MOTOR (R) (HORIZONTAL)	1	1	1	1	1	1	1	1	1	1	1	1	1	MV1	(UP & DOWN)
18	E22 J44 303	VANE MOTOR (R) (VERTICAL)	1	1	1	1	1	1	1	1	1	1	1	1	1	MV2	(RIGHT & LEFT)
19	E22 66J 303	VANE MOTOR UNIT (R) (VERTICAL)	1	1	1	1	1	1	1	1	1	1	1	1	1	MV2	(RIGHT & LEFT)
20	E22 Y52 784	V.A. CLAMP	1	1	1	1	1	1	1	1	1	1	1	1	1		
21	E22 Y52 391	DISPLAY AND i-see SENSOR ASSEMBLY	1	1			1	1	1			1	1			MT	
21	E22 Y60 391	DISPLAY AND i-see SENSOR ASSEMBLY			1	1				1	1			1	1	MT	
22	E22 Y52 468	DISPLAY AND RECEIVER P.C. BOARD	1	1	1	1	1	1	1	1	1	1	1	1	1		
23	E22 Y52 326	SWITCH BUZZER P.C. BOARD	1	1	1	1	1	1	1	1	1	1	1	1	1		
24	E22 Y52 316	INTER LOCK SWITCH (AIR PURIFYING DEVICE)	1	1	1	1	1	1	1	1	1	1	1	1	1		
25	E22 T21 375	TERMINAL BLOCK	1	1	1	1	1	1	1	1	1	1	1	1	1	TB	3P
26	E22 A49 382	FUSE	1	1	1	1	1	1	1	1	1	1	1	1	1	F11	T3.15AL250V
27	E22 B75 385	VARISTOR	1	1	1	1	1	1	1	1	1	1	1	1	1	NR11	
28	E22 Y52 308	ROOM TEMPERATURE THERMISTOR	1	1	1	1	1	1	1	1	1	1	1	1	1	RT11	
29	E22 65J 452	ELECTRONIC CONTROL P.C. BOARD	1	1	1	1	1	1	1	1							
29	E22 81J 452	ELECTRONIC CONTROL P.C. BOARD										1	1	1	1		
30	E22 65J 307	INDOOR COIL THERMISTOR	1	1	1	1	1	1	1	1	1	1	1	1	1	RT12, RT13	
31	E22 Y52 440	POWER P.C. BOARD	1	1	1	1	1	1	1	1	1	1	1	1	1		
32	E22 Y52 457	Wi-Fi INTERFACE MAC-567IFB-E	1	1	1	1	1	1	1	1	1	1	1	1	1		MAC-567IFB-E

MSZ-LN18VG2W - [E1], [ER1], [EN1], [ET1]

MSZ-LN18VG2V - [E1], [EN1], [ET1] MSZ-LN18VG2B - [E1], [EN1], [ET1] MSZ-LN18VG2R - [E1], [EN1], [ET1]

### 1-8. INDOOR UNIT HEAT EXCHANGER



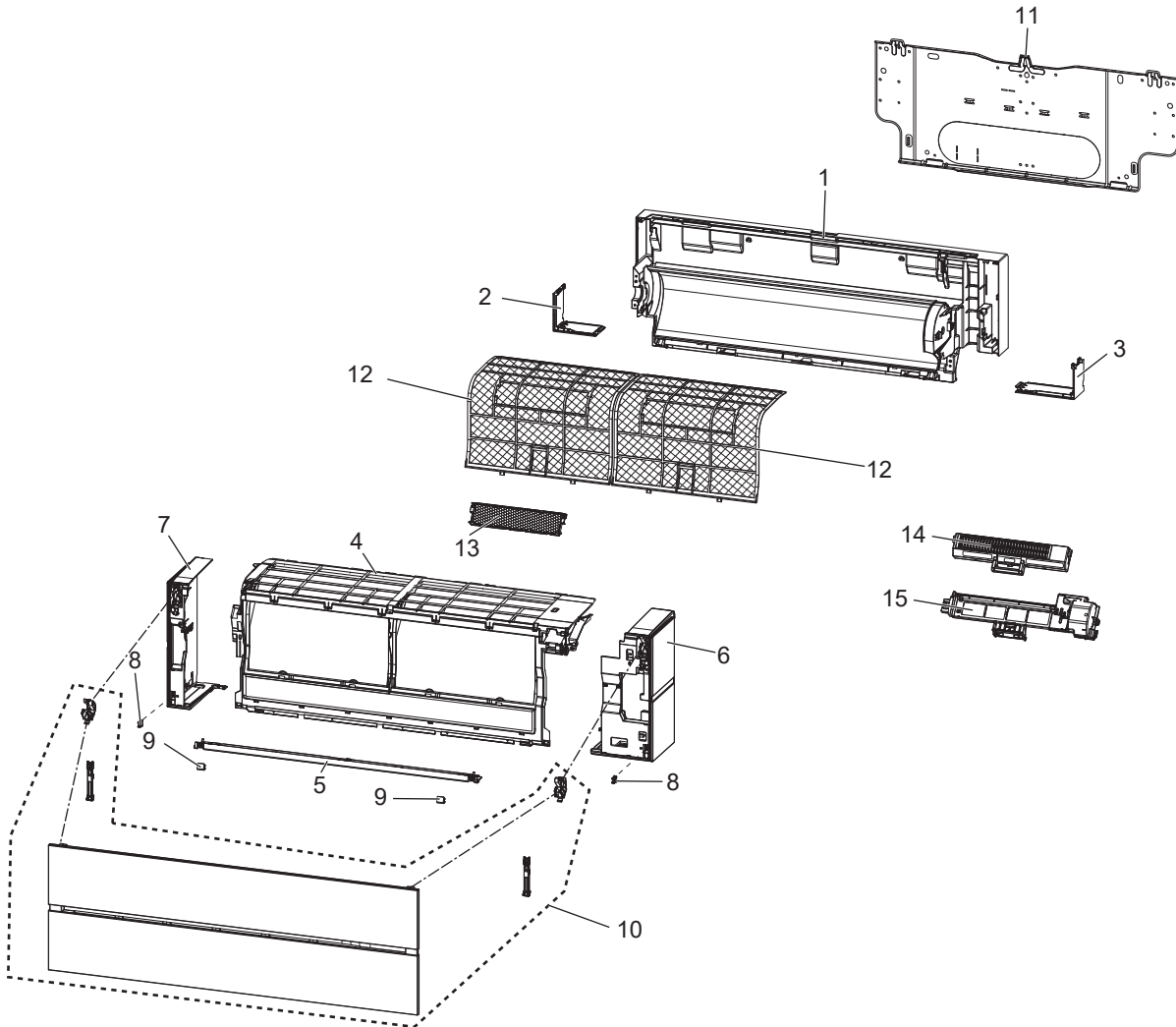


### 1-8. INDOOR UNIT HEAT EXCHANGER

1. The part quantity below indicates the required number of pieces per unit.

No.	Part No.	Part name	MSZ-LN18VG2W - [E1]	MSZ-LN18VG2V - [E1]	MSZ-LN18VG2B - [E1]	MSZ-LN18VG2R - [E1]	MSZ-LN18VG2W - [ER1]	MSZ-LN18VG2W - [ET1]	MSZ-LN18VG2V - [ET1]	MSZ-LN18VG2B - [ET1]	MSZ-LN18VG2R - [ET1]	MSZ-LN18VG2W - [EN1]	MSZ-LN18VG2V - [EN1]	MSZ-LN18VG2B - [EN1]	MSZ-LN18VG2R - [EN1]	Symbol in Wiring Diagram	Remarks
1	E22 65J 620	INDOOR HEAT EXCHANGER	1	1	1	1	1	1	1	1	1						
1	E22 81J 620	INDOOR HEAT EXCHANGER										1	1	1	1		
2	E22 815 666	UNION (GAS)	1	1	1	1	1	1	1	1	1	1	1	1	1		ø9.52
3	E22 151 667	UNION (LIQUID)	1	1	1	1	1	1	1	1	1	1	1	1	1		ø6.35

**MSZ-LN18VG2W-E2 MSZ-LN18VG2V-E2 MSZ-LN18VG2B-E2 MSZ-LN18VG2R-E2**  
**1-9. INDOOR UNIT STRUCTURAL PARTS**



**1-10. ACCESSORY AND REMOTE CONTROLLER**



## 1-9. INDOOR UNIT STRUCTURAL PARTS

1. The part quantity below indicates the required number of pieces per unit.

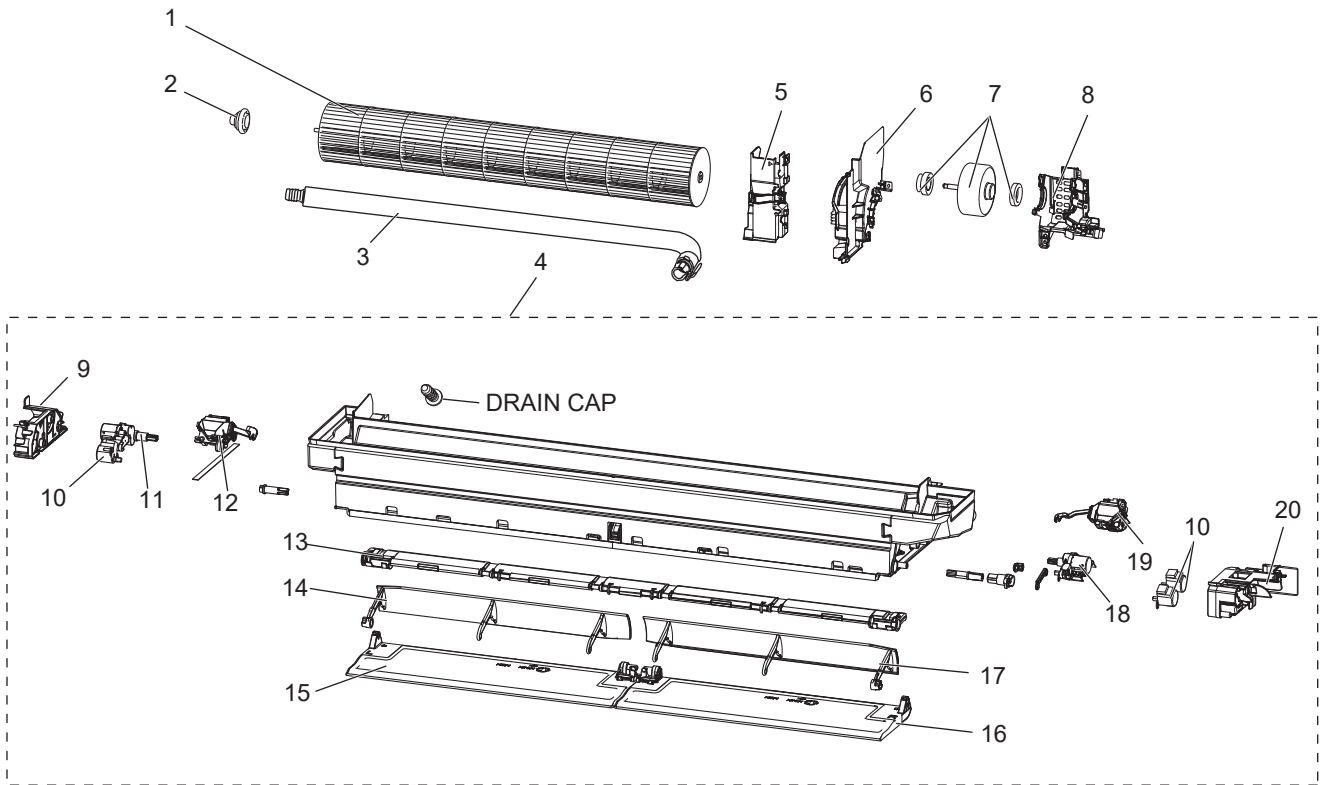
No.	Part No.	Part name	MSZ-LN18VG2W - [E2]	MSZ-LN18VG2V - [E2]	MSZ-LN18VG2B - [E2]	MSZ-LN18VG2R - [E2]	Symbol in Wiring Diagram	Remarks
1	E22 Y52 234	BOX ASSEMBLY	1	1				
1	E22 Y60 234	BOX ASSEMBLY			1	1		
2	E22 Y52 976	CORNER BOX (L)	1	1				
2	E22 Y60 976	CORNER BOX (L)			1	1		
3	E22 Y52 975	CORNER BOX (R)	1	1				
3	E22 Y60 975	CORNER BOX (R)			1	1		
4	E22 Y52 000	PANEL ASSEMBLY (F)	1	1				
4	E22 Y60 000	PANEL ASSEMBLY (F)			1	1		
5	E22 Y52 717	PANEL (U)	1	1				
5	E22 Y60 717	PANEL (U)			1			
5	E22 Y64 717	PANEL (U)				1		
6	E22 Y52 085	PANEL ASSEMBLY (R)	1					Includes CATCH(1PC)
6	E22 Y56 085	PANEL ASSEMBLY (R)		1				Includes CATCH(1PC)
6	E22 Y60 085	PANEL ASSEMBLY (R)			1			Includes CATCH(1PC)
6	E22 Y64 085	PANEL ASSEMBLY (R)				1		Includes CATCH(1PC)
7	E22 Y52 086	PANEL ASSEMBLY (L)	1					Includes CATCH(1PC)
7	E22 Y56 086	PANEL ASSEMBLY (L)		1				Includes CATCH(1PC)
7	E22 Y60 086	PANEL ASSEMBLY (L)			1			Includes CATCH(1PC)
7	E22 Y64 086	PANEL ASSEMBLY (L)				1		Includes CATCH(1PC)
8	E22 F95 142	CATCH	2	2	2	2		2 PCS/SET
9	E22 Y52 067	SCREW CAP	2	2				2 PCS/SET
9	E22 Y60 067	SCREW CAP			2			2 PCS/SET
9	E22 Y64 067	SCREW CAP				2		2 PCS/SET
10	E22 Y52 010	FRONT PANEL	1					
10	E22 Y56 010	FRONT PANEL		1				
10	E22 Y60 010	FRONT PANEL			1			
10	E22 Y64 010	FRONT PANEL				1		
11	E22 Y52 970	INSTALLATION PLATE	1	1	1	1		
12	E22 Y52 100	AIR FILTER	2	2	2			1 PC/SET
12	E22 Y64 100	AIR FILTER				2		1 PC/SET
13	—	AIR CLEANING FILTER (DEODORIZING FILTER)	1	1	1	1		1 PC/SET MAC-3010FT-E
14	E22 Y52 774	AIR PURIFYING DEVICE	1	1	1	1		
15	E22 65J 775	AIR PURIFYING DEVICE SUPPORT	1	1	1	1		Equipped with connecting terminal

## 1-10. ACCESSORY AND REMOTE CONTROLLER

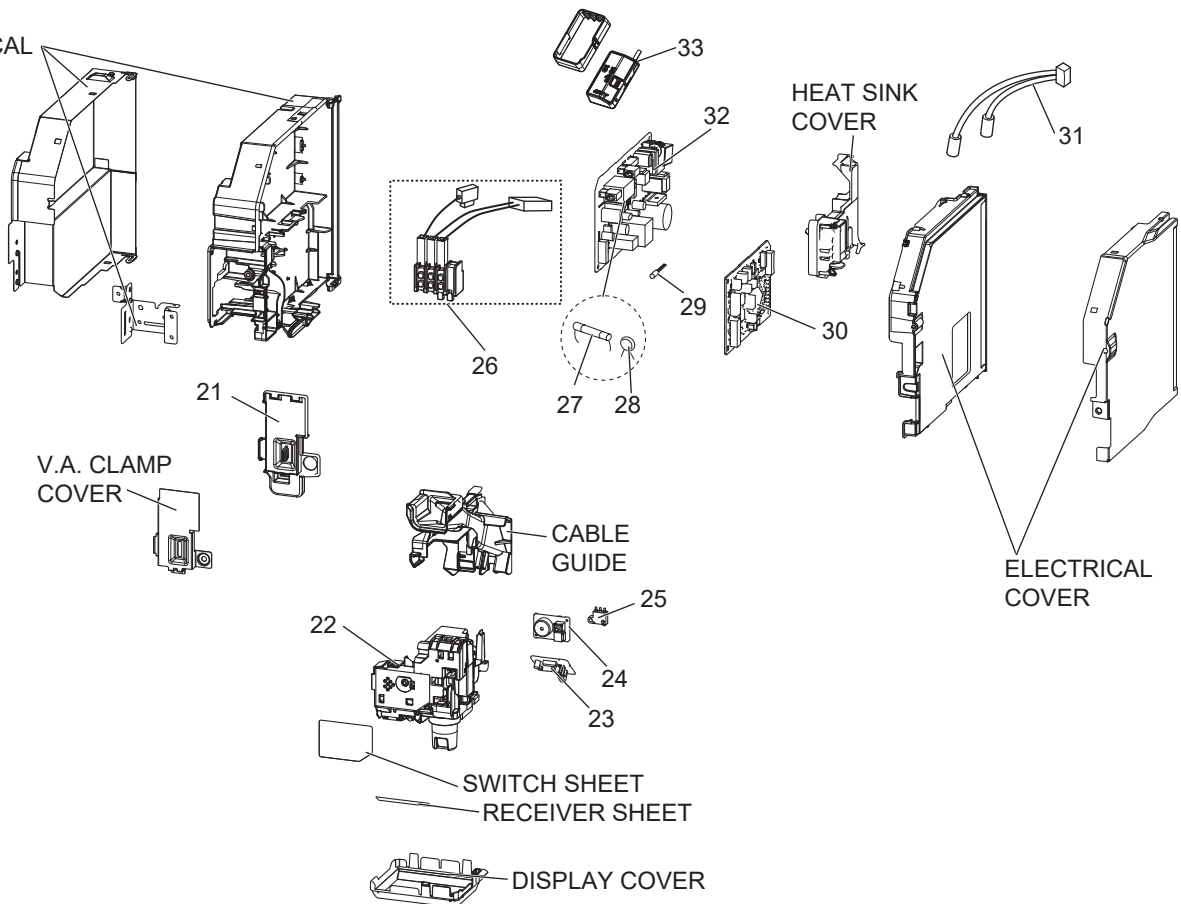
1. The part quantity below indicates the required number of pieces per unit.

No.	Part No.	Part name	MSZ-LN18VG2W - [E2]	MSZ-LN18VG2V - [E2]	MSZ-LN18VG2B - [E2]	MSZ-LN18VG2R - [E2]	Symbol in Wiring Diagram	Remarks
16	E22 65J 426	REMOTE CONTROLLER	1					SG19N
16	E22 66J 426	REMOTE CONTROLLER		1				XG19D
16	E22 67J 426	REMOTE CONTROLLER			1			XG19F
16	E22 68J 426	REMOTE CONTROLLER				1		XG19E

**MSZ-LN18VG2W-E2 MSZ-LN18VG2V-E2 MSZ-LN18VG2B-E2 MSZ-LN18VG2R-E2**  
**1-11. INDOOR UNIT ELECTRICAL PARTS AND FUNCTIONAL PARTS**



**ELECTRICAL BOX**



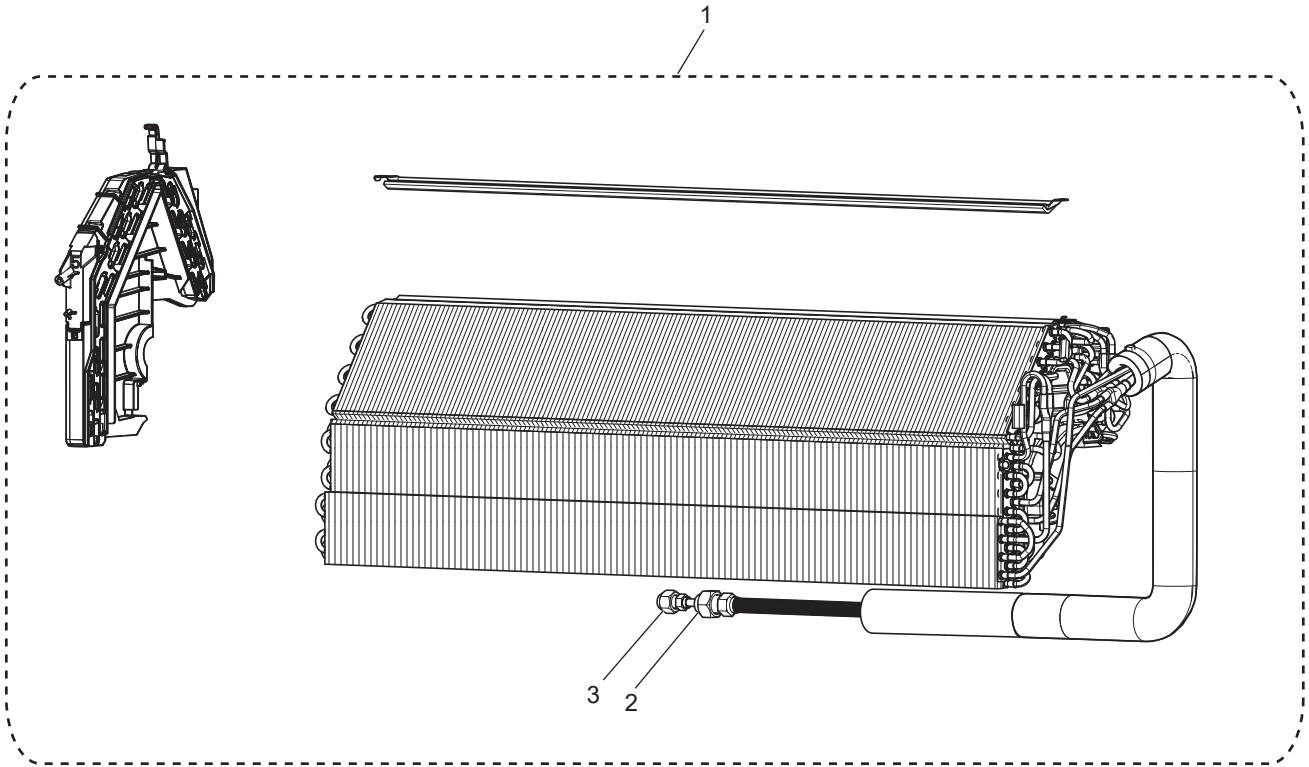


## 1-11. INDOOR UNIT ELECTRICAL PARTS AND FUNCTIONAL PARTS

1. The part quantity below indicates the required number of pieces per unit.

No.	Part No.	Part name	MSZ-LN18VG2W - [E2]	MSZ-LN18VG2V - [E2]	MSZ-LN18VG2B - [E2]	MSZ-LN18VG2R - [E2]	Symbol in Wiring Diagram	Remarks
1	E22 Y52 302	LINE FLOW FAN	1	1	1	1		
2	E22 A89 509	BEARING MOUNT ASSEMBLY	1	1	1	1		
3	E22 T20 702	DRAIN HOSE	1	1	1	1		
4	E22 Y52 235	NOZZLE ASSEMBLY	1	1				Full assembly except drain hose
4	E22 Y60 235	NOZZLE ASSEMBLY			1			Full assembly except drain hose
4	E22 Y64 235	NOZZLE ASSEMBLY				1		Full assembly except drain hose
5	E22 65J 541	WATER COVER	1	1	1	1		
6	E22 Y52 333	MOTOR BAND	1	1	1	1		
7	E22 65J 300	INDOOR FAN MOTOR	1	1	1	1	MF	RC0J40-□□ Includes rubber mounts
8	E22 20A 333	MOTOR BED	1	1	1	1		
9	E22 65J 303	VANE MOTOR UNIT (L) (VERTICAL)	1	1	1	1	MV2	(RIGHT & LEFT)
10	E22 A89 303	VANE MOTOR (HORIZONTAL)	3	3	3	3	MV1	(UP & DOWN)
11	E22 Y53 303	OUTER VANE MOTOR (L) (HORIZONTAL)	1	1	1	1	MV1	(UP & DOWN)
12	E22 67J 303	VANE MOTOR (L) (VERTICAL)	1	1	1	1	MV2	(RIGHT & LEFT)
13	E22 Y52 046	VANE SLIDE ASSEMBLY	1	1				
13	E22 Y60 046	VANE SLIDE ASSEMBLY			1	1		
14	E22 Y53 040	INNER VANE (L)	1	1	1	1		
15	E22 Y53 041	OUTER VANE (L)	1	1				
15	E22 Y61 041	OUTER VANE (L)			1			
15	E22 Y65 041	OUTER VANE (L)				1		
16	E22 Y52 041	OUTER VANE (R)	1	1				
16	E22 Y60 041	OUTER VANE (R)			1			
16	E22 Y64 041	OUTER VANE (R)				1		
17	E22 Y52 040	INNER VANE (R)	1	1	1	1		
18	E22 Y54 303	OUTER VANE MOTOR (R) (HORIZONTAL)	1	1	1	1	MV1	(UP & DOWN)
19	E22 J44 303	VANE MOTOR (R) (VERTICAL)	1	1	1	1	MV2	(RIGHT & LEFT)
20	E22 66J 303	VANE MOTOR UNIT (R) (VERTICAL)	1	1	1	1	MV2	(RIGHT & LEFT)
21	E22 Y52 784	V.A. CLAMP	1	1	1	1		
22	E22 Y52 391	DISPLAY AND i-see SENSOR ASSEMBLY	1	1			MT	
22	E22 Y60 391	DISPLAY AND i-see SENSOR ASSEMBLY			1	1	MT	
23	E22 Y52 468	DISPLAY AND RECEIVER P.C. BOARD	1	1	1	1		
24	E22 Y52 326	SWITCH BUZZER P.C. BOARD	1	1	1	1		
25	E22 Y52 316	INTER LOCK SWITCH (AIR PURIFYING DEVICE)	1	1	1	1		
26	E22 T21 375	TERMINAL BLOCK	1	1	1	1	TB	3P
27	E22 A49 382	FUSE	1	1	1	1	F11	T3.15AL250V
28	E22 B75 385	VARISTOR	1	1	1	1	NR11	
29	E22 Y52 308	ROOM TEMPERATURE THERMISTOR	1	1	1	1	RT11	
30	E22 66J 452	ELECTRONIC CONTROL P.C. BOARD	1	1	1	1		
31	E22 65J 307	INDOOR COIL THERMISTOR	1	1	1	1	RT12, RT13	
32	E22 Y52 440	POWER P.C. BOARD	1	1	1	1		
33	E22 77T 457	Wi-Fi INTERFACE MAC-577IF2-E	1	1	1	1		MAC-577IF2-E

**MSZ-LN18VG2W-E2 MSZ-LN18VG2V-E2 MSZ-LN18VG2B-E2 MSZ-LN18VG2R-E2**  
**1-12. INDOOR UNIT HEAT EXCHANGER**





### 1-12. INDOOR UNIT HEAT EXCHANGER

1. The part quantity below indicates the required number of pieces per unit.

No.	Part No.	Part name	MSZ-LN18VG2W - [E2]	MSZ-LN18VG2V - [E2]	MSZ-LN18VG2B - [E2]	MSZ-LN18VG2R - [E2]	Symbol in Wiring Diagram	Remarks
1	E22 65J 620	INDOOR HEAT EXCHANGER	1	1	1	1		
2	E22 815 666	UNION (GAS)	1	1	1	1		ø9.52
3	E22 151 667	UNION (LIQUID)	1	1	1	1		ø6.35

MSZ-LN25VGW - E1

MSZ-LN25VGV - E1

MSZ-LN25VGB - E1

MSZ-LN25VGR - E1

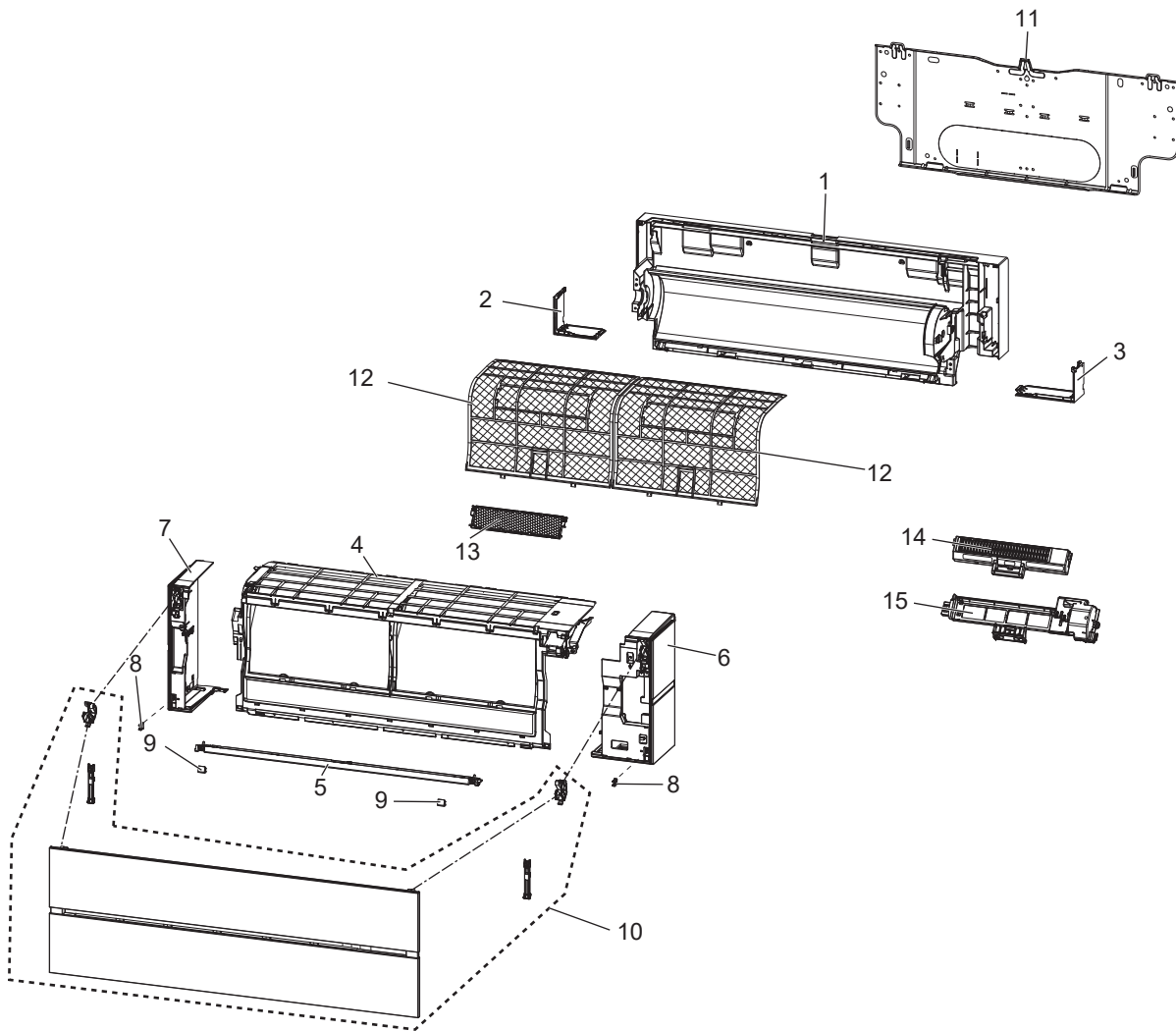
MSZ-LN35VGW - E1

MSZ-LN35VGV - E1

MSZ-LN35VGB - E1

MSZ-LN35VGR - E1

### 1-13. INDOOR UNIT STRUCTURAL PARTS



### 1-14. ACCESSORY AND REMOTE CONTROLLER



### 1-13. INDOOR UNIT STRUCTURAL PARTS

1. The part quantity below indicates the required number of pieces per unit.

No.	Part No.	Part name	MSZ-LN25VGW - [E1]	MSZ-LN25VGV - [E1]	MSZ-LN25VGB - [E1]	MSZ-LN25VGR - [E1]	MSZ-LN35VGW - [E1]	MSZ-LN35VGV - [E1]	MSZ-LN35VGB - [E1]	MSZ-LN35VGR - [E1]	Symbol in Wiring Diagram	Remarks
1	E22 Y52 234	BOX ASSEMBLY	1	1			1	1				
1	E22 Y60 234	BOX ASSEMBLY			1	1			1	1		
2	E22 Y52 976	CORNER BOX (L)	1	1			1	1				
2	E22 Y60 976	CORNER BOX (L)			1	1			1	1		
3	E22 Y52 975	CORNER BOX (R)	1	1			1	1				
3	E22 Y60 975	CORNER BOX (R)			1	1			1	1		
4	E22 Y52 000	PANEL ASSEMBLY (F)	1	1			1	1				
4	E22 Y60 000	PANEL ASSEMBLY (F)			1	1			1	1		
5	E22 Y52 717	PANEL (U)	1	1			1	1				
5	E22 Y60 717	PANEL (U)			1				1			
5	E22 Y64 717	PANEL (U)				1				1		
6	E22 Y52 085	PANEL ASSEMBLY (R)	1				1					
6	E22 Y56 085	PANEL ASSEMBLY (R)		1				1				
6	E22 Y60 085	PANEL ASSEMBLY (R)			1				1			
6	E22 Y64 085	PANEL ASSEMBLY (R)				1				1		
7	E22 Y52 086	PANEL ASSEMBLY (L)	1				1					
7	E22 Y56 086	PANEL ASSEMBLY (L)		1				1				
7	E22 Y60 086	PANEL ASSEMBLY (L)			1				1			
7	E22 Y64 086	PANEL ASSEMBLY (L)				1				1		
8	E22 F95 142	CATCH	2	2	2	2	2	2	2	2		2 PCS/SET
9	E22 Y52 067	SCREW CAP	2	2			2	2				
9	E22 Y60 067	SCREW CAP			2				2			
9	E22 Y64 067	SCREW CAP				2				2		
10	E22 Y52 010	FRONT PANEL	1				1					
10	E22 Y56 010	FRONT PANEL		1				1				
10	E22 Y60 010	FRONT PANEL			1				1			
10	E22 Y64 010	FRONT PANEL				1				1		
11	E22 Y52 970	INSTALLATION PLATE	1	1	1	1	1	1	1	1		
12	E22 Y52 100	AIR FILTER	2	2	2		2	2	2			1 PC/SET
12	E22 Y64 100	AIR FILTER				2				2		1 PC/SET
13	—	AIR CLEANING FILTER (DEODORIZING FILTER)	1	1	1	1	1	1	1	1		1 PC/SET MAC-3010FT-E
14	E22 Y52 774	AIR PURIFYING DEVICE	1	1	1	1	1	1	1	1		
15	E22 Y52 775	AIR PURIFYING DEVICE SUPPORT	1	1	1	1	1	1	1	1		

### 1-14. ACCESSORY AND REMOTE CONTROLLER

1. The part quantity below indicates the required number of pieces per unit.

No.	Part No.	Part name	MSZ-LN25VGW - [E1]	MSZ-LN25VGV - [E1]	MSZ-LN25VGB - [E1]	MSZ-LN25VGR - [E1]	MSZ-LN35VGW - [E1]	MSZ-LN35VGV - [E1]	MSZ-LN35VGB - [E1]	MSZ-LN35VGR - [E1]	Symbol in Wiring Diagram	Remarks
16	E22 Y52 426	REMOTE CONTROLLER	1				1					SG16L
16	E22 Y56 426	REMOTE CONTROLLER		1				1				XG16A
16	E22 Y60 426	REMOTE CONTROLLER			1				1			XG16C
16	E22 Y64 426	REMOTE CONTROLLER				1				1		XG16B

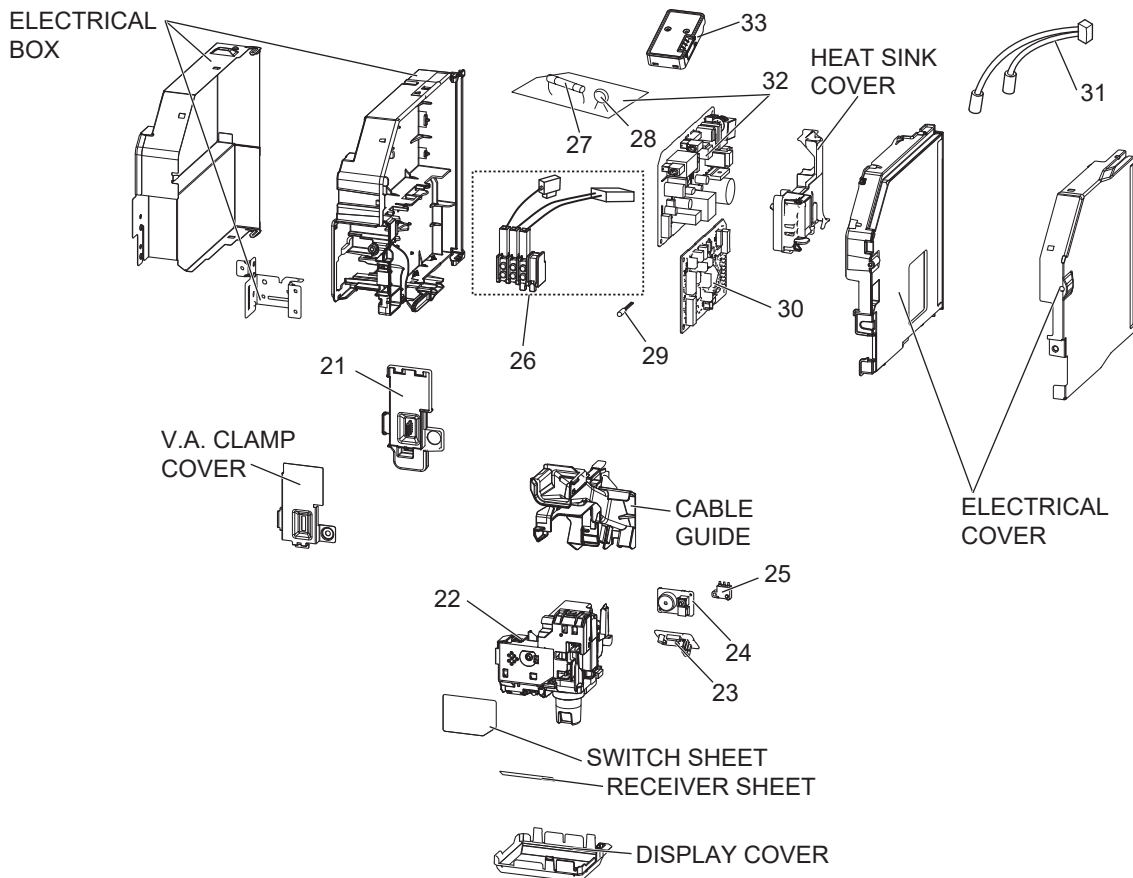
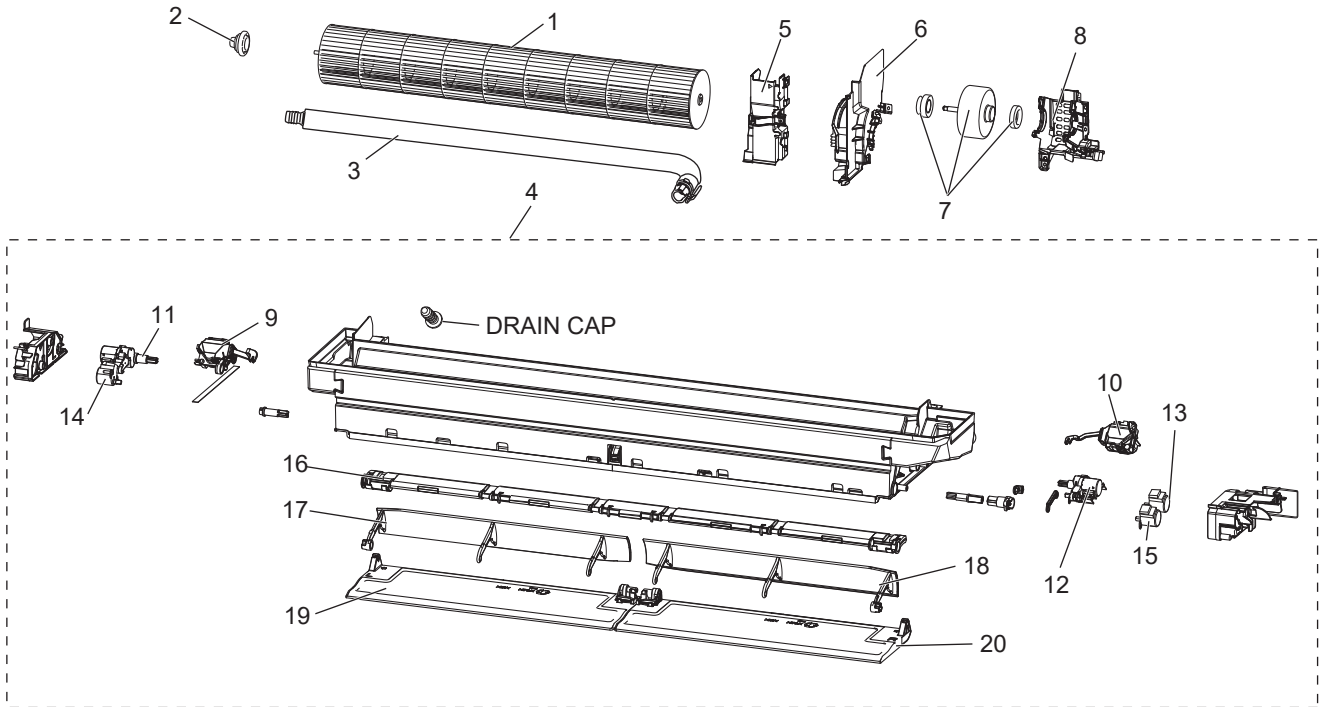
MSZ-LN25VGW - E1  
MSZ-LN35VGW - E1

MSZ-LN25VGV - E1  
MSZ-LN35VGV - E1

MSZ-LN25VGB - E1  
MSZ-LN35VGB - E1

MSZ-LN25VGR - E1  
MSZ-LN35VGR - E1

### 1-15. INDOOR UNIT ELECTRICAL PARTS AND FUNCTIONAL PARTS



## 1-15. INDOOR UNIT ELECTRICAL PARTS AND FUNCTIONAL PARTS

1. The part quantity below indicates the required number of pieces per unit.

No.	Part No.	Part name	MSZ-LN25VGW- <sup>[E1]</sup>	MSZ-LN25GV- <sup>[E1]</sup>	MSZ-LN25VGB- <sup>[E1]</sup>	MSZ-LN25VGR- <sup>[E1]</sup>	MSZ-LN35VGW- <sup>[E1]</sup>	MSZ-LN35GV- <sup>[E1]</sup>	MSZ-LN35VGB- <sup>[E1]</sup>	MSZ-LN35VGR- <sup>[E1]</sup>	Symbol in Wiring Diagram	Remarks
1	E22 Y52 302	LINE FLOW FAN	1	1	1	1	1	1	1	1		
2	E22 A89 509	BEARING MOUNT ASSEMBLY	1	1	1	1	1	1	1	1		Includes SLEEVE BEARING
3	E22 T20 702	DRAIN HOSE	1	1	1	1	1	1	1	1		
4	E22 Y52 235	NOZZLE ASSEMBLY	1	1			1	1				
4	E22 Y60 235	NOZZLE ASSEMBLY			1				1			
4	E22 Y64 235	NOZZLE ASSEMBLY				1				1		
5	E22 Y52 541	WATER COVER	1	1	1	1	1	1	1	1		
6	E22 Y52 333	MOTOR BAND	1	1	1	1	1	1	1	1		
7	E22 Y52 300	INDOOR FAN MOTOR	1	1	1	1	1	1	1	1	MF	RC0J30-□□
8	E22 20A 333	MOTOR BED	1	1	1	1	1	1	1	1		
9	E22 J44 303	VANE MOTOR (L) (VERTICAL)	1	1	1	1	1	1	1	1	MV2	(RIGHT & LEFT)
10	E22 J44 303	VANE MOTOR (R) (VERTICAL)	1	1	1	1	1	1	1	1	MV2	(RIGHT & LEFT)
11	E22 Y53 303	OUTER VANE MOTOR (L) (HORIZONTAL)	1	1	1	1	1	1	1	1	MV1	(UP & DOWN)
12	E22 Y54 303	OUTER VANE MOTOR (R) (HORIZONTAL)	1	1	1	1	1	1	1	1	MV1	(UP & DOWN)
13	E22 A89 303	VANE MOTOR (HORIZONTAL)	1	1	1	1	1	1	1	1	MV1	(UP & DOWN)
14	E22 A89 303	VANE MOTOR (L) (HORIZONTAL)	1	1	1	1	1	1	1	1	MV1	(UP & DOWN)
15	E22 A89 303	VANE MOTOR (R) (HORIZONTAL)	1	1	1	1	1	1	1	1	MV1	(UP & DOWN)
16	E22 Y52 046	VANE SLIDE ASSEMBLY	1	1			1	1				
16	E22 Y60 046	VANE SLIDE ASSEMBLY			1	1			1	1		
17	E22 Y53 040	INNER VANE (L)	1	1	1	1	1	1	1	1		
18	E22 Y52 040	INNER VANE (R)	1	1	1	1	1	1	1	1		
19	E22 Y53 041	OUTER VANE (L)	1	1			1	1				
19	E22 Y61 041	OUTER VANE (L)			1				1			
19	E22 Y65 041	OUTER VANE (L)				1				1		
20	E22 Y52 041	OUTER VANE (R)	1	1			1	1				
20	E22 Y60 041	OUTER VANE (R)			1				1			
20	E22 Y64 041	OUTER VANE (R)				1				1		
21	E22 Y52 784	V.A. CLAMP	1	1	1	1	1	1	1	1		
22	E22 Y52 391	DISPLAY AND i-see SENSOR ASSEMBLY	1	1			1	1			MT	
22	E22 Y60 391	DISPLAY AND i-see SENSOR ASSEMBLY			1	1			1	1	MT	
23	E22 Y52 468	DISPLAY AND RECEIVER P.C. BOARD	1	1	1	1	1	1	1	1		
24	E22 Y52 326	SWITCH BUZZER P.C. BOARD	1	1	1	1	1	1	1	1		
25	E22 Y52 316	INTER LOCK SWITCH (AIR PURIFYING DEVICE)	1	1	1	1	1	1	1	1		
26	E22 T21 375	TERMINAL BLOCK	1	1	1	1	1	1	1	1	TB	3P
27	E22 A49 382	FUSE	1	1	1	1	1	1	1	1	F11	T3.15AL250V
28	E22 B75 385	VARISTOR	1	1	1	1	1	1	1	1	NR11	
29	E22 Y52 308	ROOM TEMPERATURE THERMISTOR	1	1	1	1	1	1	1	1	RT11	
30	E22 24L 452	ELECTRONIC CONTROL P.C. BOARD	1	1	1	1						
30	E22 25L 452	ELECTRONIC CONTROL P.C. BOARD					1	1	1	1		
31	E22 Y52 307	INDOOR COIL THERMISTOR	1	1	1	1	1	1	1	1	RT12, RT13	
32	E22 Y52 440	POWER P.C. BOARD	1	1	1	1	1	1	1	1		
33	E22 Y52 457	Wi-Fi INTERFACE MAC-567IFB-E	1	1	1	1	1	1	1	1		MAC-567IFB-E

MSZ-LN25VGW - E1

MSZ-LN25VGV - E1

MSZ-LN25VGB - E1

MSZ-LN25VGR - E1

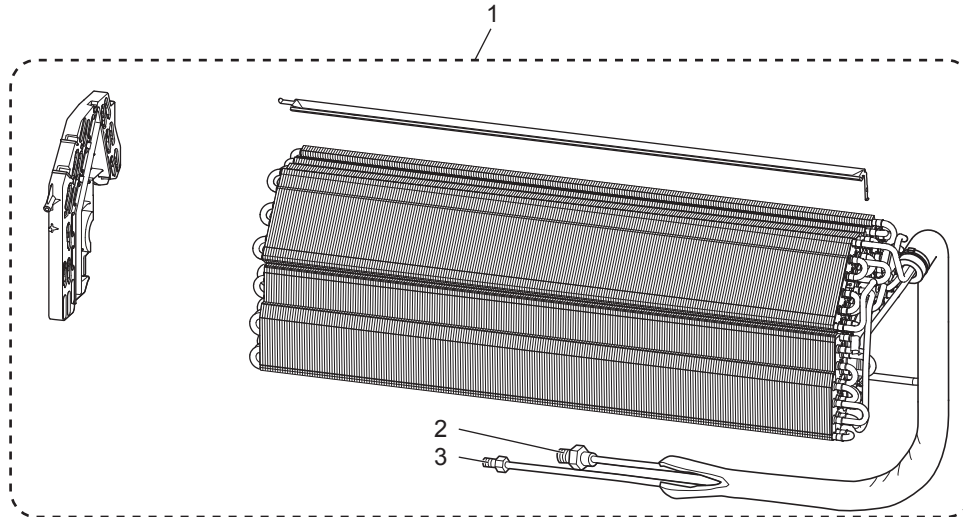
MSZ-LN35VGW - E1

MSZ-LN35VGV - E1

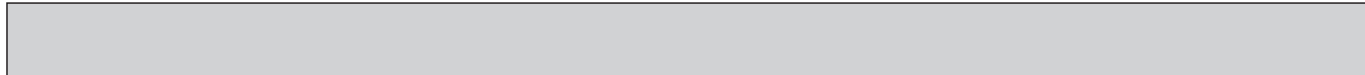
MSZ-LN35VGB - E1

MSZ-LN35VGR - E1

1-16. INDOOR UNIT HEAT EXCHANGER







### 1-16. INDOOR UNIT HEAT EXCHANGER

1. The part quantity below indicates the required number of pieces per unit.

No.	Part No.	Part name	MSZ-LN25/GW - [ET]	MSZ-LN25/GV - [ET]	MSZ-LN25/GB - [ET]	MSZ-LN25/GR - [ET]	MSZ-LN35/GW - [ET]	MSZ-LN35/GV - [ET]	MSZ-LN35/GB - [ET]	MSZ-LN35/GR - [ET]	Symbol in Wiring Diagram	Remarks
1	E22 Y52 620	INDOOR HEAT EXCHANGER	1	1	1	1	1	1	1	1		
2	E22 815 666	UNION (GAS)	1	1	1	1	1	1	1	1		ø9.52
3	E22 151 667	UNION (LIQUID)	1	1	1	1	1	1	1	1		ø6.35

MSZ-LN25VGW-ER1

MSZ-LN25VGV-ER1

MSZ-LN25VGB-ER1

MSZ-LN25VGR-ER1

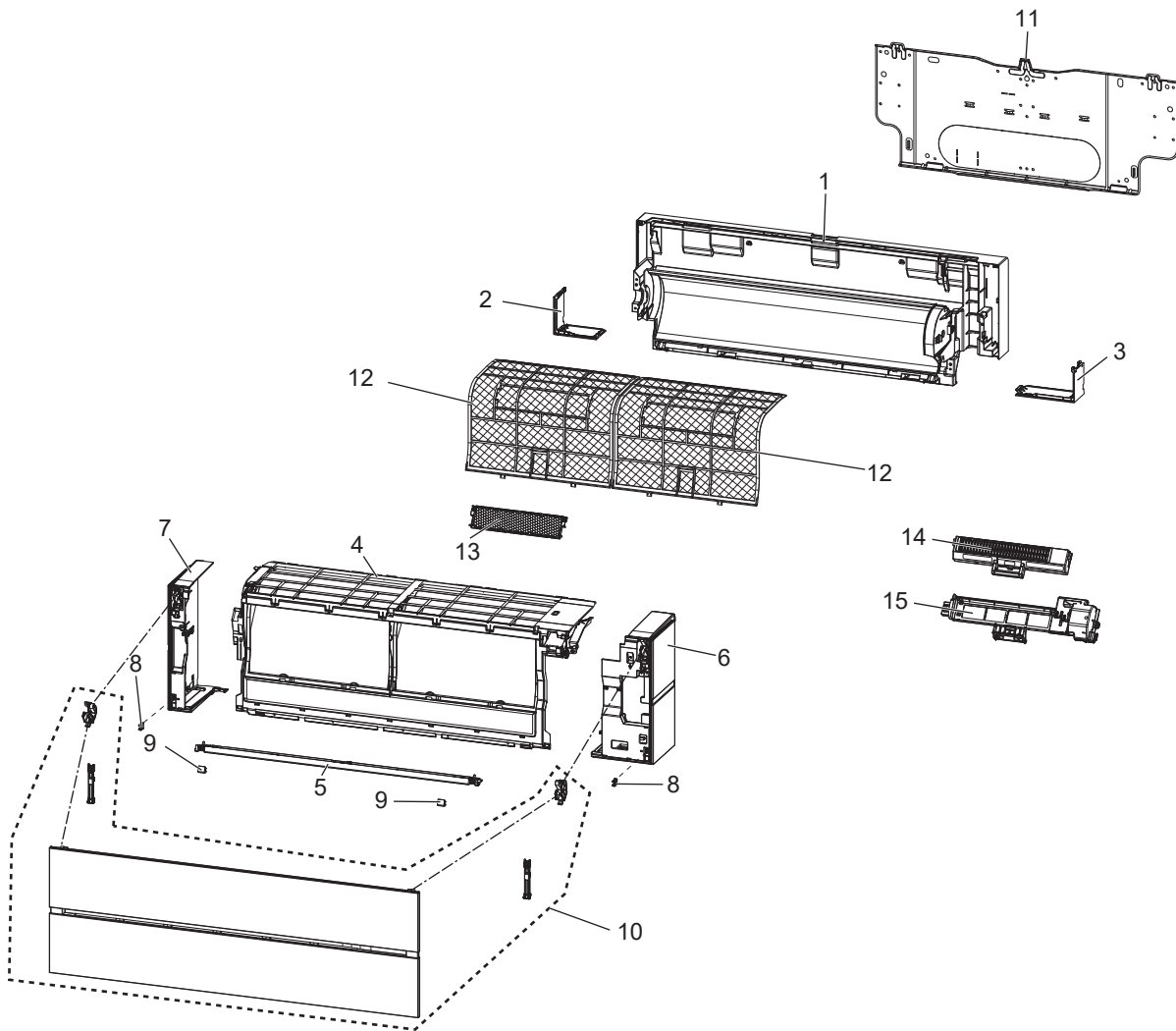
MSZ-LN35VGW-ER1

MSZ-LN35VGV-ER1

MSZ-LN35VGB-ER1

MSZ-LN35VGR-ER1

### 1-17. INDOOR UNIT STRUCTURAL PARTS



### 1-18. ACCESSORY AND REMOTE CONTROLLER



## 1-17. INDOOR UNIT STRUCTURAL PARTS

1. The part quantity below indicates the required number of pieces per unit.

No.	Part No.	Part name	MSZ-LN25VGW- <sup>ERT</sup>	MSZ-LN25VGV- <sup>ERT</sup>	MSZ-LN25VGB- <sup>ERT</sup>	MSZ-LN25VGR- <sup>ERT</sup>	MSZ-LN35VGW- <sup>ERT</sup>	MSZ-LN35VGV- <sup>ERT</sup>	MSZ-LN35VGB- <sup>ERT</sup>	MSZ-LN35VGR- <sup>ERT</sup>	Symbol in Wiring Diagram	Remarks
1	E22 Y52 234	BOX ASSEMBLY	1	1			1	1				
1	E22 Y60 234	BOX ASSEMBLY			1	1			1	1		
2	E22 Y52 976	CORNER BOX (L)	1	1			1	1				
2	E22 Y60 976	CORNER BOX (L)			1	1			1	1		
3	E22 Y52 975	CORNER BOX (R)	1	1			1	1				
3	E22 Y60 975	CORNER BOX (R)			1	1			1	1		
4	E22 Y52 000	PANEL ASSEMBLY (F)	1	1			1	1				
4	E22 Y60 000	PANEL ASSEMBLY (F)			1	1			1	1		
5	E22 Y52 717	PANEL (U)	1	1			1	1				
5	E22 Y60 717	PANEL (U)			1				1			
5	E22 Y64 717	PANEL (U)				1				1		
6	E22 Y52 085	PANEL ASSEMBLY (R)	1				1					
6	E22 Y56 085	PANEL ASSEMBLY (R)		1				1				
6	E22 Y60 085	PANEL ASSEMBLY (R)			1				1			
6	E22 Y64 085	PANEL ASSEMBLY (R)				1				1		
7	E22 Y52 086	PANEL ASSEMBLY (L)	1				1					
7	E22 Y56 086	PANEL ASSEMBLY (L)		1				1				
7	E22 Y60 086	PANEL ASSEMBLY (L)			1				1			
7	E22 Y64 086	PANEL ASSEMBLY (L)				1				1		
8	E22 F95 142	CATCH	2	2	2	2	2	2	2	2		2 PCS/SET
9	E22 Y52 067	SCREW CAP	2	2			2	2				
9	E22 Y60 067	SCREW CAP			2				2			
9	E22 Y64 067	SCREW CAP				2				2		
10	E22 Y52 010	FRONT PANEL	1				1					
10	E22 Y56 010	FRONT PANEL		1				1				
10	E22 Y60 010	FRONT PANEL			1				1			
10	E22 Y64 010	FRONT PANEL				1				1		
11	E22 Y52 970	INSTALLATION PLATE	1	1	1	1	1	1	1	1		
12	E22 Y52 100	AIR FILTER	2	2	2		2	2	2			1 PC/SET
12	E22 Y64 100	AIR FILTER				2				2		1 PC/SET
13	—	AIR CLEANING FILTER (DEODORIZING FILTER)	1	1	1	1	1	1	1	1		1 PC/SET MAC-3010FT-E
14	E22 Y52 774	AIR PURIFYING DEVICE	1	1	1	1	1	1	1	1		
15	E22 Y52 775	AIR PURIFYING DEVICE SUPPORT	1	1	1	1	1	1	1	1		

## 1-18. ACCESSORY AND REMOTE CONTROLLER

1. The part quantity below indicates the required number of pieces per unit.

No.	Part No.	Part name	MSZ-LN25VGW- <sup>ERT</sup>	MSZ-LN25VGV- <sup>ERT</sup>	MSZ-LN25VGB- <sup>ERT</sup>	MSZ-LN25VGR- <sup>ERT</sup>	MSZ-LN35VGW- <sup>ERT</sup>	MSZ-LN35VGV- <sup>ERT</sup>	MSZ-LN35VGB- <sup>ERT</sup>	MSZ-LN35VGR- <sup>ERT</sup>	Symbol in Wiring Diagram	Remarks
16	E22 Y52 426	REMOTE CONTROLLER	1				1					SG16L
16	E22 Y56 426	REMOTE CONTROLLER		1				1				XG16A
16	E22 Y60 426	REMOTE CONTROLLER			1				1			XG16C
16	E22 Y64 426	REMOTE CONTROLLER				1				1		XG16B

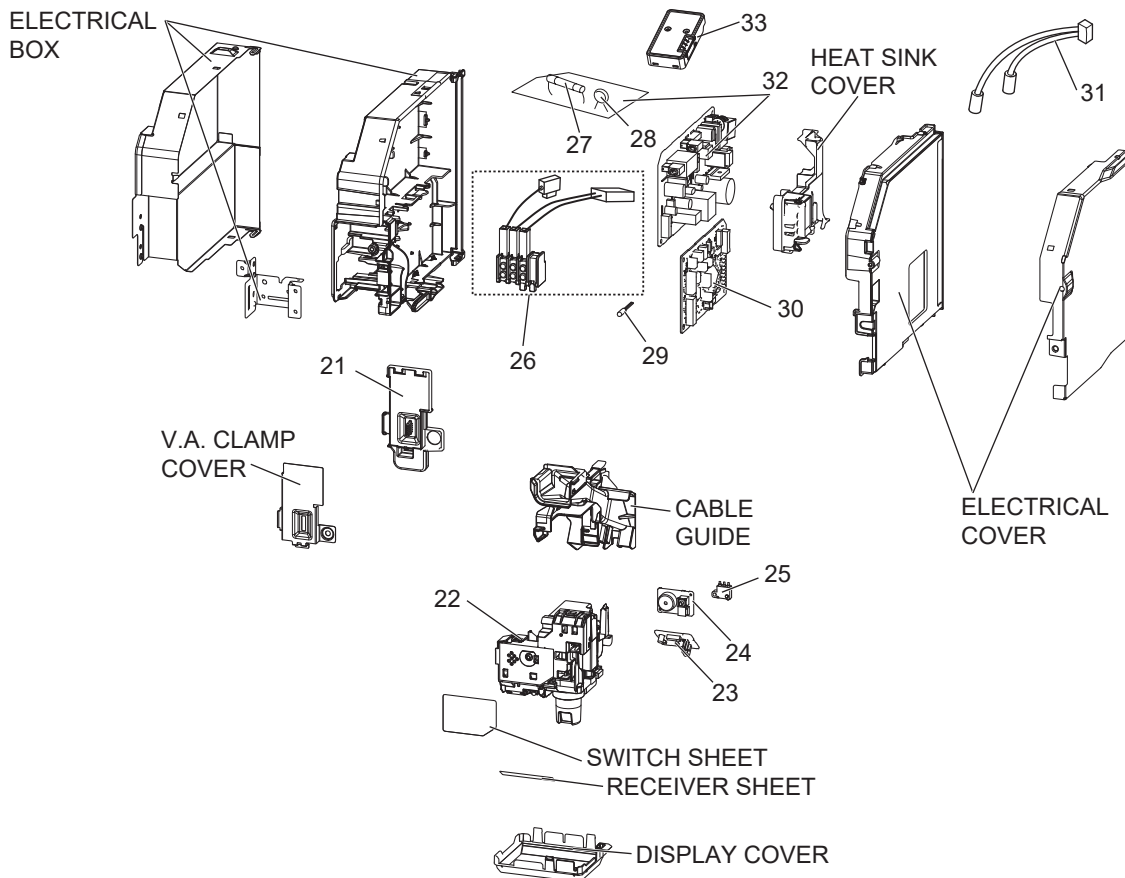
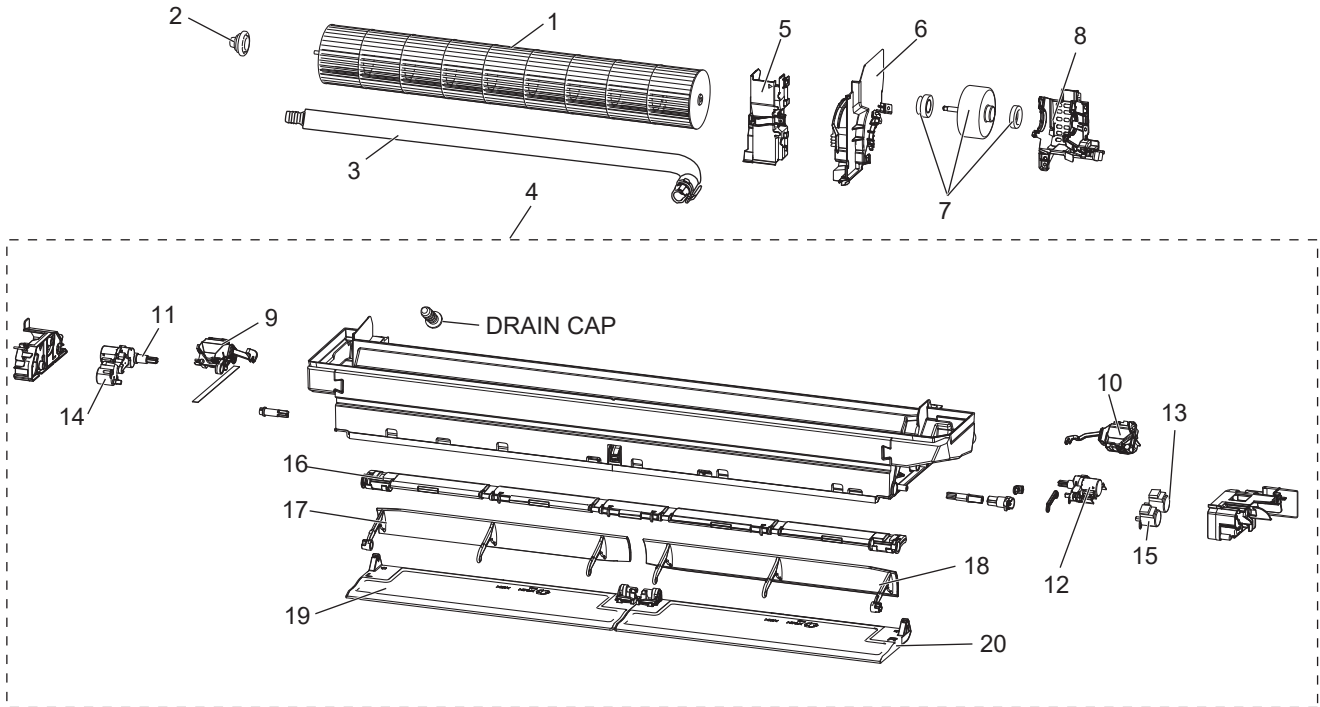
**MSZ-LN25VGW** -[ER1]  
**MSZ-LN35VGW** -[ER1]

**MSZ-LN25VGV** -[ER1]  
**MSZ-LN35VGV** -[ER1]

**MSZ-LN25VGB** -[ER1]  
**MSZ-LN35VGB** -[ER1]

**MSZ-LN25VGR** -[ER1]  
**MSZ-LN35VGR** -[ER1]

**1-19. INDOOR UNIT ELECTRICAL PARTS AND FUNCTIONAL PARTS**



## 1-19. INDOOR UNIT ELECTRICAL PARTS AND FUNCTIONAL PARTS

1. The part quantity below indicates the required number of pieces per unit.

No.	Part No.	Part name	MSZ-LN25VGW- <sup>ERT</sup>	MSZ-LN25VGV- <sup>ERT</sup>	MSZ-LN25VGB- <sup>ERT</sup>	MSZ-LN25VGR- <sup>ERT</sup>	MSZ-LN35VGW- <sup>ERT</sup>	MSZ-LN35VGV- <sup>ERT</sup>	MSZ-LN35VGB- <sup>ERT</sup>	MSZ-LN35VGR- <sup>ERT</sup>	Symbol in Wiring Diagram	Remarks
1	E22 Y52 302	LINE FLOW FAN	1	1	1	1	1	1	1	1		
2	E22 A89 509	BEARING MOUNT ASSEMBLY	1	1	1	1	1	1	1	1		Includes SLEEVE BEARING
3	E22 T20 702	DRAIN HOSE	1	1	1	1	1	1	1	1		
4	E22 Y52 235	NOZZLE ASSEMBLY	1	1			1	1				
4	E22 Y60 235	NOZZLE ASSEMBLY			1				1			
4	E22 Y64 235	NOZZLE ASSEMBLY				1				1		
5	E22 Y52 541	WATER COVER	1	1	1	1	1	1	1	1		
6	E22 Y52 333	MOTOR BAND	1	1	1	1	1	1	1	1		
7	E22 Y52 300	INDOOR FAN MOTOR	1	1	1	1	1	1	1	1	MF	RC0J30-□□
8	E22 20A 333	MOTOR BED	1	1	1	1	1	1	1	1		
9	E22 J44 303	VANE MOTOR (L) (VERTICAL)	1	1	1	1	1	1	1	1	MV2	(RIGHT & LEFT)
10	E22 J44 303	VANE MOTOR (R) (VERTICAL)	1	1	1	1	1	1	1	1	MV2	(RIGHT & LEFT)
11	E22 Y53 303	OUTER VANE MOTOR (L) (HORIZONTAL)	1	1	1	1	1	1	1	1	MV1	(UP & DOWN)
12	E22 Y54 303	OUTER VANE MOTOR (R) (HORIZONTAL)	1	1	1	1	1	1	1	1	MV1	(UP & DOWN)
13	E22 A89 303	VANE MOTOR (HORIZONTAL)	1	1	1	1	1	1	1	1	MV1	(UP & DOWN)
14	E22 A89 303	VANE MOTOR (L) (HORIZONTAL)	1	1	1	1	1	1	1	1	MV1	(UP & DOWN)
15	E22 A89 303	VANE MOTOR (R) (HORIZONTAL)	1	1	1	1	1	1	1	1	MV1	(UP & DOWN)
16	E22 Y52 046	VANE SLIDE ASSEMBLY	1	1			1	1				
16	E22 Y60 046	VANE SLIDE ASSEMBLY			1	1			1	1		
17	E22 Y53 040	INNER VANE (L)	1	1	1	1	1	1	1	1		
18	E22 Y52 040	INNER VANE (R)	1	1	1	1	1	1	1	1		
19	E22 Y53 041	OUTER VANE (L)	1	1			1	1				
19	E22 Y61 041	OUTER VANE (L)			1				1			
19	E22 Y65 041	OUTER VANE (L)				1				1		
20	E22 Y52 041	OUTER VANE (R)	1	1			1	1				
20	E22 Y60 041	OUTER VANE (R)			1				1			
20	E22 Y64 041	OUTER VANE (R)				1				1		
21	E22 Y52 784	V.A. CLAMP	1	1	1	1	1	1	1	1		
22	E22 Y52 391	DISPLAY AND i-see SENSOR ASSEMBLY	1	1			1	1			MT	
22	E22 Y60 391	DISPLAY AND i-see SENSOR ASSEMBLY			1	1			1	1	MT	
23	E22 Y52 468	DISPLAY AND RECEIVER P.C. BOARD	1	1	1	1	1	1	1	1		
24	E22 Y52 326	SWITCH BUZZER P.C. BOARD	1	1	1	1	1	1	1	1		
25	E22 Y52 316	INTER LOCK SWITCH (AIR PURIFYING DEVICE)	1	1	1	1	1	1	1	1		
26	E22 T21 375	TERMINAL BLOCK	1	1	1	1	1	1	1	1	TB	3P
27	E22 A49 382	FUSE	1	1	1	1	1	1	1	1	F11	T3.15AL250V
28	E22 B75 385	VARISTOR	1	1	1	1	1	1	1	1	NR11	
29	E22 Y52 308	ROOM TEMPERATURE THERMISTOR	1	1	1	1	1	1	1	1	RT11	
30	E22 24L 452	ELECTRONIC CONTROL P.C. BOARD	1	1	1	1						
30	E22 25L 452	ELECTRONIC CONTROL P.C. BOARD					1	1	1	1		
31	E22 Y52 307	INDOOR COIL THERMISTOR	1	1	1	1	1	1	1	1	RT12, RT13	
32	E22 Y52 440	POWER P.C. BOARD	1	1	1	1	1	1	1	1		
33	E22 Y52 457	Wi-Fi INTERFACE MAC-567IFB-E	1	1	1	1	1	1	1	1		MAC-567IFB-E

MSZ-LN25VGW - [ER1]

MSZ-LN25VGV - [ER1]

MSZ-LN25VGB - [ER1]

MSZ-LN25VGR - [ER1]

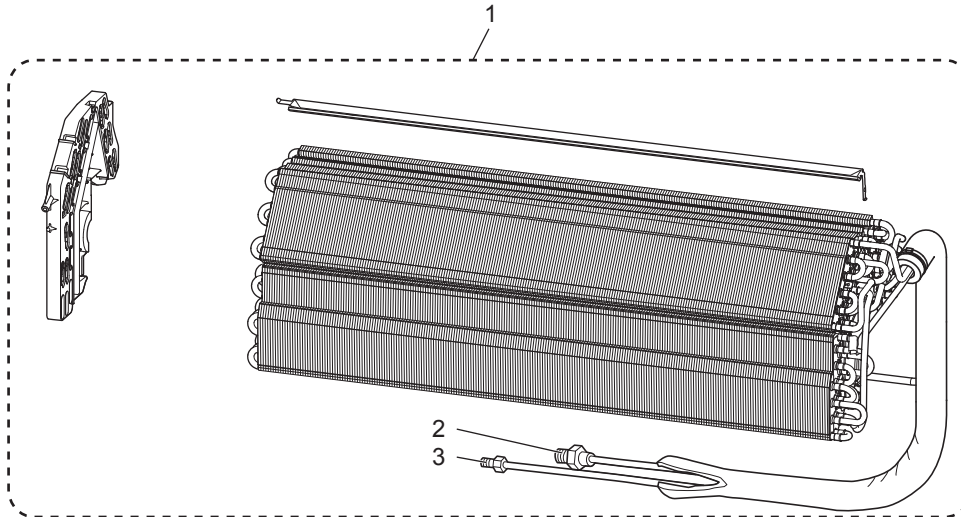
MSZ-LN35VGW - [ER1]

MSZ-LN35VGV - [ER1]

MSZ-LN35VGB - [ER1]

MSZ-LN35VGR - [ER1]

1-20. INDOOR UNIT HEAT EXCHANGER





### 1-20. INDOOR UNIT HEAT EXCHANGER

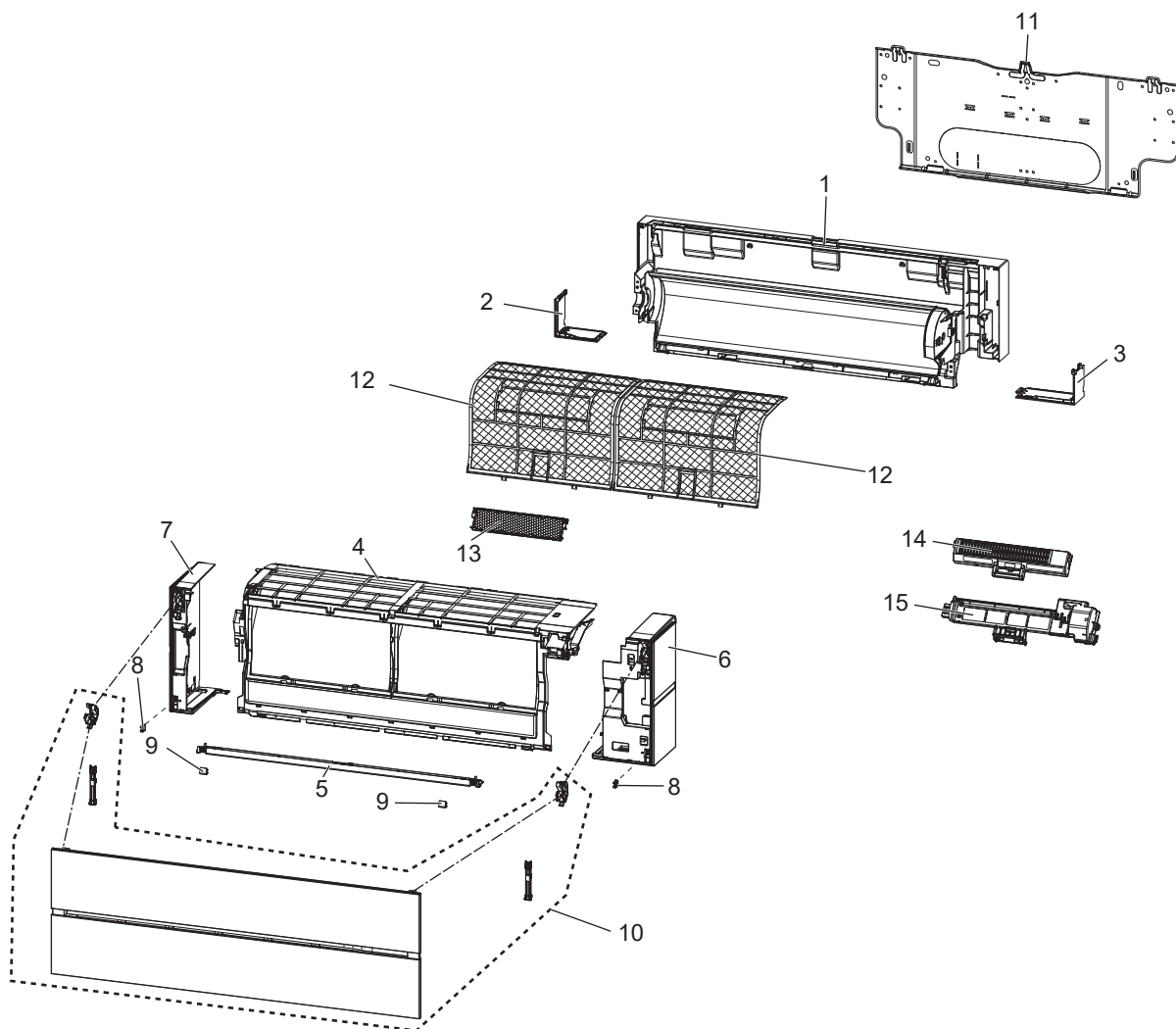
1. The part quantity below indicates the required number of pieces per unit.

No.	Part No.	Part name	MSZ-LN25VGW - <small>ERT</small>	MSZ-LN25GV - <small>ERT</small>	MSZ-LN25VGB - <small>ERT</small>	MSZ-LN25VGR - <small>ERT</small>	MSZ-LN35VGW - <small>ERT</small>	MSZ-LN35GV - <small>ERT</small>	MSZ-LN35VGB - <small>ERT</small>	MSZ-LN35VGR - <small>ERT</small>	Symbol in Wiring Diagram	Remarks
1	E22 Y52 620	INDOOR HEAT EXCHANGER	1	1	1	1	1	1	1	1		
2	E22 815 666	UNION (GAS)	1	1	1	1	1	1	1	1		ø9.52
3	E22 151 667	UNION (LIQUID)	1	1	1	1	1	1	1	1		ø6.35

MSZ-LN25VG2W - [E1], [ER1], [EN1], [ET1] MSZ-LN25VG2V - [E1], [ER1], [EN1], [ET1]

MSZ-LN25VG2B - [E1], [ER1], [EN1], [ET1] MSZ-LN25VG2R - [E1], [ER1], [EN1], [ET1]

### 1-21. INDOOR UNIT STRUCTURAL PARTS





## 1-21. INDOOR UNIT STRUCTURAL PARTS

1. The part quantity below indicates the required number of pieces per unit.

No.	Part No.	Part name	MSZ-LN25VG2W-ET	MSZ-LN25VG2V-ET	MSZ-LN25VG2B-ET	MSZ-LN25VG2R-ET	MSZ-LN25VG2W-ER	MSZ-LN25VG2V-ER	MSZ-LN25VG2B-ER	MSZ-LN25VG2R-ER	MSZ-LN25VG2W-ET1	MSZ-LN25VG2V-ET1	MSZ-LN25VG2B-ET1	MSZ-LN25VG2R-ET1	MSZ-LN25VG2W-ER1	MSZ-LN25VG2V-ER1	MSZ-LN25VG2B-ER1	Symbol in Wiring Diagram	Remarks	
1	E22 Y52 234	BOX ASSEMBLY	1	1			1	1			1	1			1	1				
1	E22 Y60 234	BOX ASSEMBLY			1	1			1	1			1	1			1	1		
2	E22 Y52 976	CORNER BOX (L)	1	1			1	1			1	1			1	1				
2	E22 Y60 976	CORNER BOX (L)			1	1			1	1			1	1			1	1		
3	E22 Y52 975	CORNER BOX (R)	1	1			1	1			1	1			1	1				
3	E22 Y60 975	CORNER BOX (R)			1	1			1	1			1	1			1	1		
4	E22 Y52 000	PANEL ASSEMBLY (F)	1	1			1	1			1	1			1	1				
4	E22 Y60 000	PANEL ASSEMBLY (F)			1	1			1	1			1	1			1	1		
5	E22 Y52 717	PANEL (U)	1	1			1	1			1	1			1	1				
5	E22 Y60 717	PANEL (U)			1				1				1				1			
5	E22 Y64 717	PANEL (U)				1				1				1				1		
6	E22 Y52 085	PANEL ASSEMBLY (R)	1				1				1				1					
6	E22 Y56 085	PANEL ASSEMBLY (R)		1				1				1					1			
6	E22 Y60 085	PANEL ASSEMBLY (R)			1				1				1					1		
6	E22 Y64 085	PANEL ASSEMBLY (R)				1				1				1					1	
7	E22 Y52 086	PANEL ASSEMBLY (L)	1				1				1				1					
7	E22 Y56 086	PANEL ASSEMBLY (L)		1				1				1					1			
7	E22 Y60 086	PANEL ASSEMBLY (L)			1				1				1					1		
7	E22 Y64 086	PANEL ASSEMBLY (L)				1				1				1					1	
8	E22 F95 142	CATCH	2	2	2	2	2	2	2	2	2	2	2	2	2	2	2	2	2	2 PCS/SET
9	E22 Y52 067	SCREW CAP	2	2			2	2			2	2			2	2				
9	E22 Y60 067	SCREW CAP			2				2				2					2		
9	E22 Y64 067	SCREW CAP				2				2				2					2	
10	E22 Y52 010	FRONT PANEL	1				1				1				1					
10	E22 Y56 010	FRONT PANEL		1				1				1					1			
10	E22 Y60 010	FRONT PANEL			1				1				1					1		
10	E22 Y64 010	FRONT PANEL				1				1				1					1	
11	E22 Y52 970	INSTALLATION PLATE	1	1	1	1	1	1	1	1	1	1	1	1	1	1	1	1	1	
12	E22 Y52 100	AIR FILTER	2	2	2		2	2	2		2	2	2		2	2	2			1 PC/SET
12	E22 Y64 100	AIR FILTER				2				2				2						1 PC/SET
13	—	AIR CLEANING FILTER (DEODORIZING FILTER)	1	1	1	1	1	1	1	1	1	1	1	1	1	1	1	1	1	1 PC/SET MAC-3010FT-E
14	E22 Y52 774	AIR PURIFYING DEVICE	1	1	1	1	1	1	1	1	1	1	1	1	1	1	1	1	1	
15	E22 65J 775	AIR PURIFYING DEVICE SUPPORT	1	1	1	1	1	1	1	1	1	1	1	1	1	1	1	1	1	



**MSZ-LN25VG2W** -  E1,  ER1,  EN1,  ET1    **MSZ-LN25VG2V** -  E1,  ER1,  EN1,  ET1  
**MSZ-LN25VG2B** -  E1,  ER1,  EN1,  ET1    **MSZ-LN25VG2R** -  E1,  ER1,  EN1,  ET1

**1-22. ACCESSORY AND REMOTE CONTROLLER**



## 1-22. ACCESSORY AND REMOTE CONTROLLER

1. The part quantity below indicates the required number of pieces per unit.

No.	Part No.	Part name	MSZ-LN25VG2W-ET1	MSZ-LN25VG2V-ET1	MSZ-LN25VG2B-ET1	MSZ-LN25VG2R-ET1	MSZ-LN25VG2W-ER1	MSZ-LN25VG2V-ER1	MSZ-LN25VG2B-ER1	MSZ-LN25VG2R-ER1	MSZ-LN25VG2W-ET1	MSZ-LN25VG2V-ET1	MSZ-LN25VG2B-ET1	MSZ-LN25VG2R-ET1	MSZ-LN25VG2W-EN1	MSZ-LN25VG2V-EN1	MSZ-LN25VG2B-EN1	MSZ-LN25VG2R-EN1	Symbol in Wiring Diagram	Remarks
1	E22 65J 426	REMOTE CONTROLLER	1								1									SG19N
1	E22 66J 426	REMOTE CONTROLLER		1								1								XG19D
1	E22 67J 426	REMOTE CONTROLLER			1								1							XG19F
1	E22 68J 426	REMOTE CONTROLLER				1								1						XG19E
1	E22 91P 426	REMOTE CONTROLLER					1													SG19N
1	E22 92P 426	REMOTE CONTROLLER						1												XG19D
1	E22 93P 426	REMOTE CONTROLLER							1											XG19F
1	E22 94P 426	REMOTE CONTROLLER								1										XG19E
1	E22 81J 426	REMOTE CONTROLLER													1					SG19L
1	E22 82J 426	REMOTE CONTROLLER														1				XG19A
1	E22 83J 426	REMOTE CONTROLLER															1			XG19C
1	E22 84J 426	REMOTE CONTROLLER																1		XG19B



## 1-23. INDOOR UNIT ELECTRICAL PARTS AND FUNCTIONAL PARTS

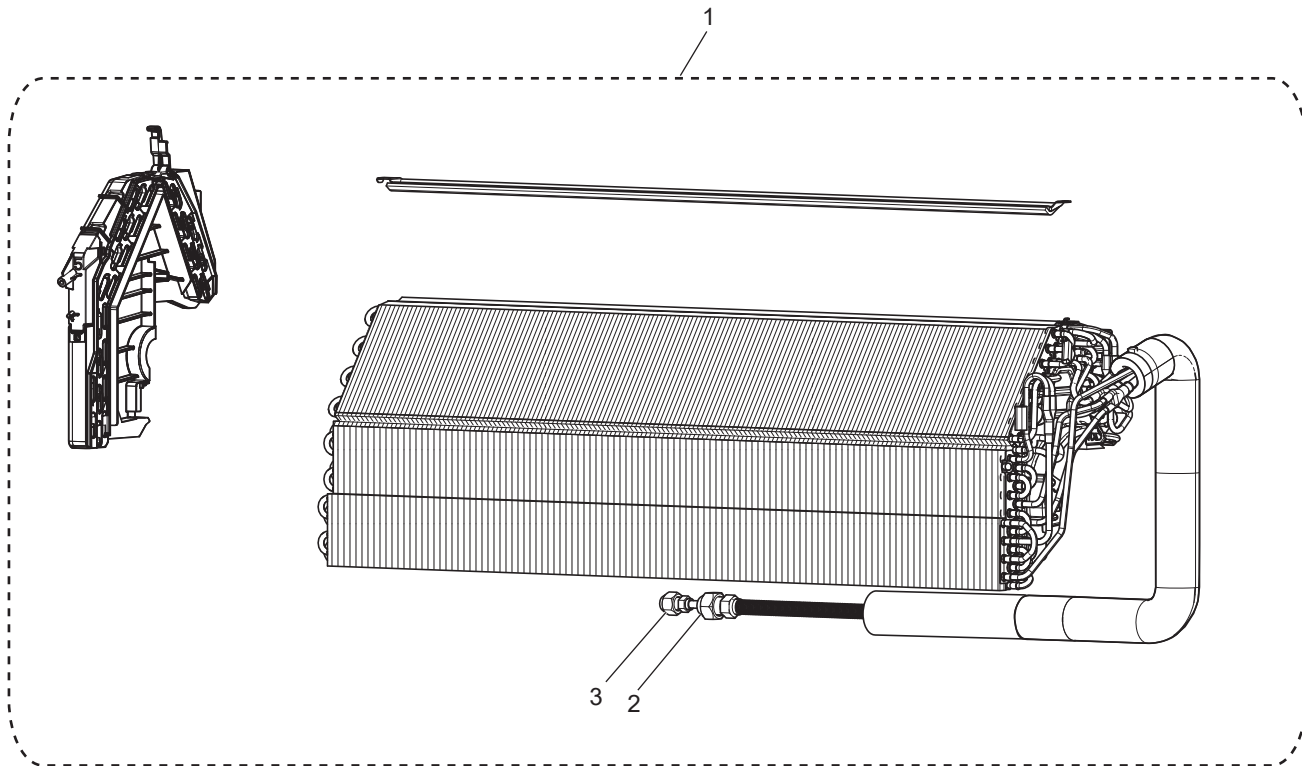
1. The part quantity below indicates the required number of pieces per unit.

No.	Part No.	Part name	MSZ-LN25VG2W-ET	MSZ-LN25VG2V-ET	MSZ-LN25VG2B-ET	MSZ-LN25VG2R-ET	MSZ-LN25VG2W-ERI	MSZ-LN25VG2V-ERI	MSZ-LN25VG2B-ERI	MSZ-LN25VG2R-ERI	MSZ-LN25VG2W-ET1	MSZ-LN25VG2V-ET1	MSZ-LN25VG2B-ET1	MSZ-LN25VG2R-ET1	MSZ-LN25VG2W-EN1	MSZ-LN25VG2V-EN1	MSZ-LN25VG2B-EN1	MSZ-LN25VG2R-EN1	Symbol in Wiring Diagram	Remarks
			1	1	1	1	1	1	1	1	1	1	1	1	1	1	1	1		
1	E22 Y52 302	LINE FLOW FAN	1	1	1	1	1	1	1	1	1	1	1	1	1	1	1	1		
2	E22 A89 509	BEARING MOUNT ASSEMBLY	1	1	1	1	1	1	1	1	1	1	1	1	1	1	1	1		
3	E22 T20 702	DRAIN HOSE	1	1	1	1	1	1	1	1	1	1	1	1						
3	E22 81J 702	DRAIN HOSE													1	1	1	1		
4	E22 Y52 235	NOZZLE ASSEMBLY	1	1			1	1			1	1			1	1				
4	E22 Y60 235	NOZZLE ASSEMBLY			1				1				1				1			
4	E22 Y64 235	NOZZLE ASSEMBLY				1				1				1				1		
5	E22 65J 541	WATER COVER	1	1	1	1	1	1	1	1	1	1	1	1	1	1	1	1		
6	E22 Y52 333	MOTOR BAND	1	1	1	1	1	1	1	1	1	1	1	1	1	1	1	1		
7	E22 65J 300	INDOOR FAN MOTOR	1	1	1	1	1	1	1	1	1	1	1	1	1	1	1	1	MF	RC0J40-□□
8	E22 65J 303	VANE MOTOR UNIT (L) (VERTICAL)	1	1	1	1	1	1	1	1	1	1	1	1	1	1	1	1	MV2	(RIGHT & LEFT)
9	E22 A89 303	VANE MOTOR (HORIZONTAL)	3	3	3	3	3	3	3	3	3	3	3	3	3	3	3	3	MV1	(UP & DOWN)
10	E22 Y53 303	OUTER VANE MOTOR (L) (HORIZONTAL)	1	1	1	1	1	1	1	1	1	1	1	1	1	1	1	1	MV1	(UP & DOWN)
11	E22 67J 303	VANE MOTOR (L) (VERTICAL)	1	1	1	1	1	1	1	1	1	1	1	1	1	1	1	1	MV2	(RIGHT & LEFT)
12	E22 Y52 046	VANE SLIDE ASSEMBLY	1	1			1	1			1	1			1	1				
12	E22 Y60 046	VANE SLIDE ASSEMBLY			1	1			1	1			1	1			1	1		
13	E22 Y53 040	INNER VANE (L)	1	1	1	1	1	1	1	1	1	1	1	1	1	1	1	1		
14	E22 Y53 041	OUTER VANE (L)	1	1			1	1			1	1			1	1				
14	E22 Y61 041	OUTER VANE (L)			1				1				1				1			
14	E22 Y65 041	OUTER VANE (L)				1				1				1				1		
15	E22 Y52 041	OUTER VANE (R)	1	1			1	1			1	1			1	1				
15	E22 Y60 041	OUTER VANE (R)			1				1				1				1			
15	E22 Y64 041	OUTER VANE (R)				1				1				1				1		
16	E22 Y52 040	INNER VANE (R)	1	1	1	1	1	1	1	1	1	1	1	1	1	1	1	1		
17	E22 Y54 303	OUTER VANE MOTOR (R) (HORIZONTAL)	1	1	1	1	1	1	1	1	1	1	1	1	1	1	1	1	MV1	(UP & DOWN)
18	E22 J44 303	VANE MOTOR (R) (VERTICAL)	1	1	1	1	1	1	1	1	1	1	1	1	1	1	1	1	MV2	(RIGHT & LEFT)
19	E22 66J 303	VANE MOTOR UNIT (R) (VERTICAL)	1	1	1	1	1	1	1	1	1	1	1	1	1	1	1	1	MV2	(RIGHT & LEFT)
20	E22 Y52 784	V.A. CLAMP	1	1	1	1	1	1	1	1	1	1	1	1	1	1	1	1		
21	E22 Y52 391	DISPLAY AND i-see SENSOR ASSEMBLY	1	1			1	1			1	1			1	1			MT	
21	E22 Y60 391	DISPLAY AND i-see SENSOR ASSEMBLY			1	1			1	1			1	1			1	1	MT	
22	E22 Y52 468	DISPLAY AND RECEIVER P.C. BOARD	1	1	1	1	1	1	1	1	1	1	1	1	1	1	1	1		
23	E22 Y52 326	SWITCH BUZZER P.C. BOARD	1	1	1	1	1	1	1	1	1	1	1	1	1	1	1	1		
24	E22 Y52 316	INTER LOCK SWITCH (AIR PURIFYING DEVICE)	1	1	1	1	1	1	1	1	1	1	1	1	1	1	1	1		
25	E22 T21 375	TERMINAL BLOCK	1	1	1	1	1	1	1	1	1	1	1	1	1	1	1	1	TB	3P
26	E22 A49 382	FUSE	1	1	1	1	1	1	1	1	1	1	1	1	1	1	1	1	F11	T3.15AL250V
27	E22 B75 385	VARISTOR	1	1	1	1	1	1	1	1	1	1	1	1	1	1	1	1	NR11	
28	E22 Y52 308	ROOM TEMPERATURE THERMISTOR	1	1	1	1	1	1	1	1	1	1	1	1	1	1	1	1	RT11	
29	E22 69J 452	ELECTRONIC CONTROL P.C. BOARD	1	1	1	1	1	1	1	1	1	1	1	1						
29	E22 85J 452	ELECTRONIC CONTROL P.C. BOARD													1	1	1	1		
30	E22 65J 307	INDOOR COIL THERMISTOR	1	1	1	1	1	1	1	1	1	1	1	1	1	1	1	1	RT12, RT13	
31	E22 Y52 440	POWER P.C. BOARD	1	1	1	1	1	1	1	1	1	1	1	1	1	1	1	1		
32	E22 Y52 457	Wi-Fi INTERFACE MAC-567IFB-E	1	1	1	1	1	1	1	1	1	1	1	1	1	1	1	1		MAC-567IFB-E

**MSZ-LN25VG2W** - E1, ER1, EN1, ET1    **MSZ-LN25VG2V** - E1, ER1, EN1, ET1

**MSZ-LN25VG2B** - E1, ER1, EN1, ET1    **MSZ-LN25VG2R** - E1, ER1, EN1, ET1

### 1-24. INDOOR UNIT HEAT EXCHANGER





### 1-24. INDOOR UNIT HEAT EXCHANGER

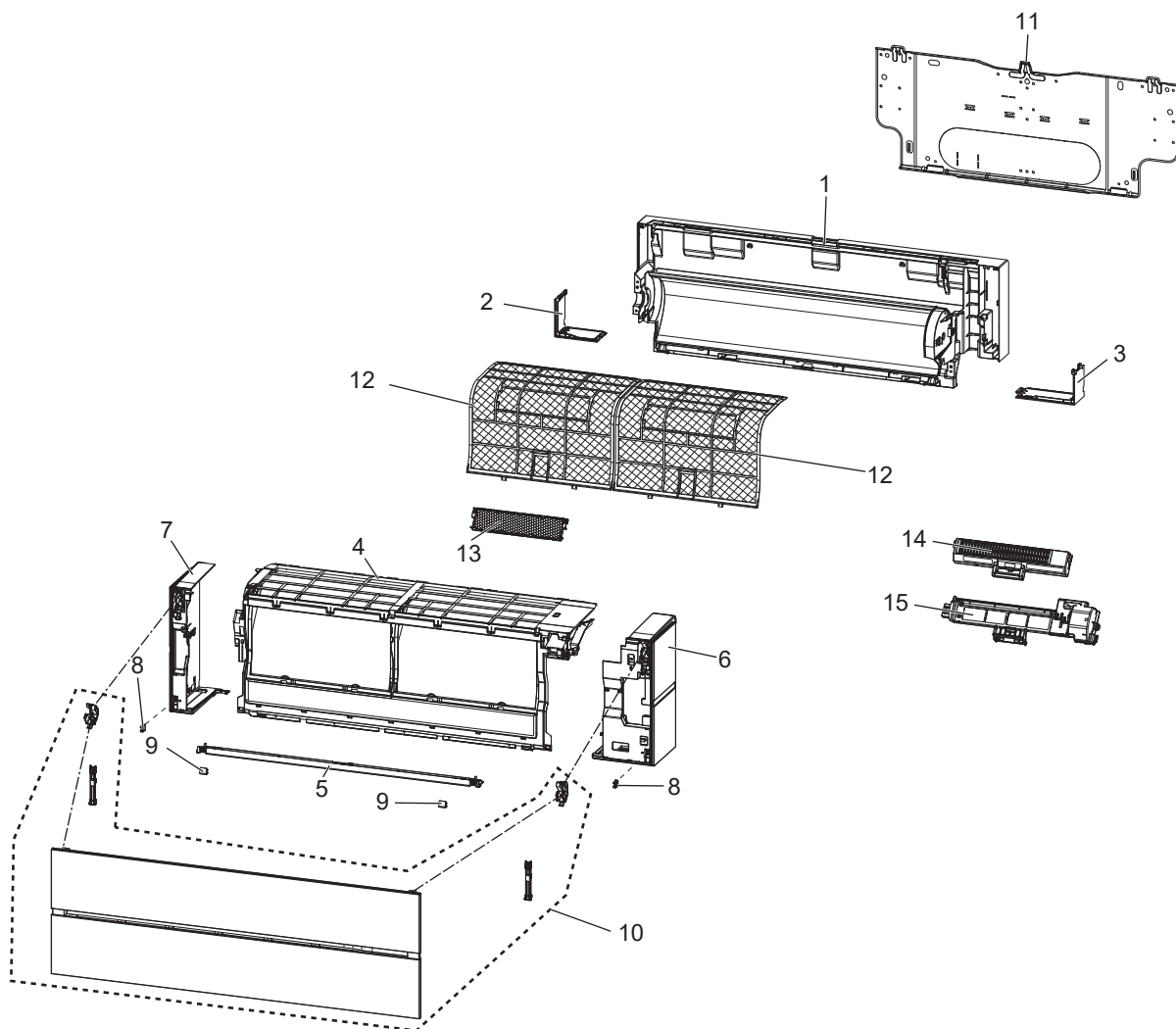
1. The part quantity below indicates the required number of pieces per unit.

No.	Part No.	Part name	MSZ-LN25VG2W-ET	MSZ-LN25VG2V-ET	MSZ-LN25VG2B-ET	MSZ-LN25VG2R-ET	MSZ-LN25VG2W-ERI	MSZ-LN25VG2V-ERI	MSZ-LN25VG2B-ERI	MSZ-LN25VG2R-ERI	MSZ-LN25VG2W-ET1	MSZ-LN25VG2V-ET1	MSZ-LN25VG2B-ET1	MSZ-LN25VG2R-ET1	MSZ-LN25VG2W-EN1	MSZ-LN25VG2V-EN1	MSZ-LN25VG2B-EN1	MSZ-LN25VG2R-EN1	Symbol in Wiring Diagram	Remarks	
1	E22 65J 620	INDOOR HEAT EXCHANGER	1	1	1	1	1	1	1	1	1	1	1	1							
1	E22 81J 620	INDOOR HEAT EXCHANGER													1	1	1	1			
2	E22 815 666	UNION (GAS)	1	1	1	1	1	1	1	1	1	1	1	1	1	1	1	1			ø9.52
3	E22 151 667	UNION (LIQUID)	1	1	1	1	1	1	1	1	1	1	1	1	1	1	1	1			ø6.35

MSZ-LN25VG2W - [E2], [ER2], [EN2], [ET2] MSZ-LN25VG2V - [E2], [ER2], [EN2], [ET2]

MSZ-LN25VG2B - [E2], [ER2], [EN2], [ET2] MSZ-LN25VG2R - [E2], [ER2], [EN2], [ET2]

### 1-25. INDOOR UNIT STRUCTURAL PARTS





## 1-25. INDOOR UNIT STRUCTURAL PARTS

1. The part quantity below indicates the required number of pieces per unit.

No.	Part No.	Part name	MSZ-LN25VG2W- <sup>E2</sup>	MSZ-LN25VG2V- <sup>E2</sup>	MSZ-LN25VG2B- <sup>E2</sup>	MSZ-LN25VG2R- <sup>E2</sup>	MSZ-LN25VG2W- <sup>ER2</sup>	MSZ-LN25VG2V- <sup>ER2</sup>	MSZ-LN25VG2B- <sup>ER2</sup>	MSZ-LN25VG2R- <sup>ER2</sup>	MSZ-LN25VG2W- <sup>ET2</sup>	MSZ-LN25VG2V- <sup>ET2</sup>	MSZ-LN25VG2B- <sup>ET2</sup>	MSZ-LN25VG2R- <sup>ET2</sup>	MSZ-LN25VG2W- <sup>EN2</sup>	MSZ-LN25VG2V- <sup>EN2</sup>	MSZ-LN25VG2B- <sup>EN2</sup>	MSZ-LN25VG2R- <sup>EN2</sup>	Symbol in Wiring Diagram	Remarks	
1	E22 Y52 234	BOX ASSEMBLY	1	1			1	1			1	1			1	1					
1	E22 Y60 234	BOX ASSEMBLY			1	1			1	1			1	1			1	1			
2	E22 Y52 976	CORNER BOX (L)	1	1			1	1			1	1			1	1					
2	E22 Y60 976	CORNER BOX (L)			1	1			1	1			1	1			1	1			
3	E22 Y52 975	CORNER BOX (R)	1	1			1	1			1	1			1	1					
3	E22 Y60 975	CORNER BOX (R)			1	1			1	1			1	1			1	1			
4	E22 Y52 000	PANEL ASSEMBLY (F)	1	1			1	1			1	1			1	1					
4	E22 Y60 000	PANEL ASSEMBLY (F)			1	1			1	1			1	1			1	1			
5	E22 Y52 717	PANEL (U)	1	1			1	1			1	1			1	1					
5	E22 Y60 717	PANEL (U)			1				1				1				1				
5	E22 Y64 717	PANEL (U)				1				1				1				1			
6	E22 Y52 085	PANEL ASSEMBLY (R)	1				1				1				1					Includes CATCH (1PC)	
6	E22 Y56 085	PANEL ASSEMBLY (R)		1				1				1				1				Includes CATCH (1PC)	
6	E22 Y60 085	PANEL ASSEMBLY (R)			1				1				1				1			Includes CATCH (1PC)	
6	E22 Y64 085	PANEL ASSEMBLY (R)				1				1				1				1		Includes CATCH (1PC)	
7	E22 Y52 086	PANEL ASSEMBLY (L)	1				1				1				1					Includes CATCH (1PC)	
7	E22 Y56 086	PANEL ASSEMBLY (L)		1				1				1				1				Includes CATCH (1PC)	
7	E22 Y60 086	PANEL ASSEMBLY (L)			1				1				1				1			Includes CATCH (1PC)	
7	E22 Y64 086	PANEL ASSEMBLY (L)				1				1				1				1		Includes CATCH (1PC)	
8	E22 F95 142	CATCH	2	2	2	2	2	2	2	2	2	2	2	2	2	2	2	2	2	2	2 PCS/SET
9	E22 Y52 067	SCREW CAP	2	2			2	2			2	2			2	2				2	2 PCS/SET
9	E22 Y60 067	SCREW CAP			2				2				2				2			2	2 PCS/SET
9	E22 Y64 067	SCREW CAP				2				2				2				2		2	2 PCS/SET
10	E22 Y52 010	FRONT PANEL	1				1				1				1						
10	E22 Y56 010	FRONT PANEL		1				1				1				1					
10	E22 Y60 010	FRONT PANEL			1				1				1				1				
10	E22 Y64 010	FRONT PANEL				1				1				1				1			
11	E22 Y52 970	INSTALLATION PLATE	1	1	1	1	1	1	1	1	1	1	1	1	1	1	1	1	1	1	
12	E22 Y52 100	AIR FILTER	2	2	2		2	2	2		2	2	2		2	2	2				1 PC/SET
12	E22 Y64 100	AIR FILTER				2				2				2				2			1 PC/SET
13	—	AIR CLEANING FILTER (DEODORIZING FILTER)	1	1	1	1	1	1	1	1	1	1	1	1	1	1	1	1	1	1	1 PC/SET MAC-3010FT-E
14	E22 Y52 774	AIR PURIFYING DEVICE	1	1	1	1	1	1	1	1	1	1	1	1	1	1	1	1	1	1	
15	E22 65J 775	AIR PURIFYING DEVICE SUPPORT	1	1	1	1	1	1	1	1	1	1	1	1	1	1	1	1	1	1	Equipped with connecting terminal



**MSZ-LN25VG2W** - [E2], [ER2], [EN2], [ET2]    **MSZ-LN25VG2V** - [E2], [ER2], [EN2], [ET2]  
**MSZ-LN25VG2B** - [E2], [ER2], [EN2], [ET2]    **MSZ-LN25VG2R** - [E2], [ER2], [EN2], [ET2]

**1-26. ACCESSORY AND REMOTE CONTROLLER**



## 1-26. ACCESSORY AND REMOTE CONTROLLER

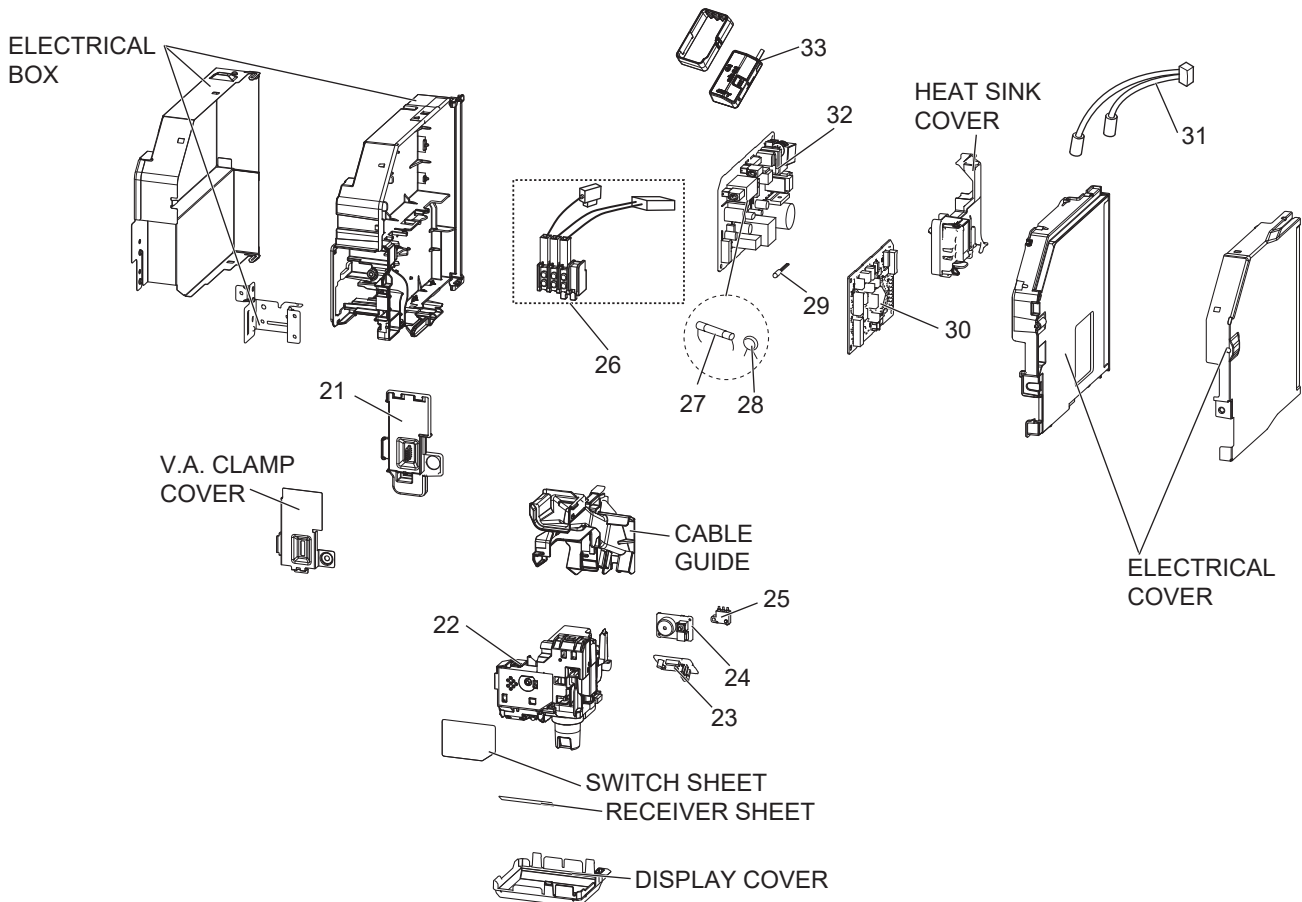
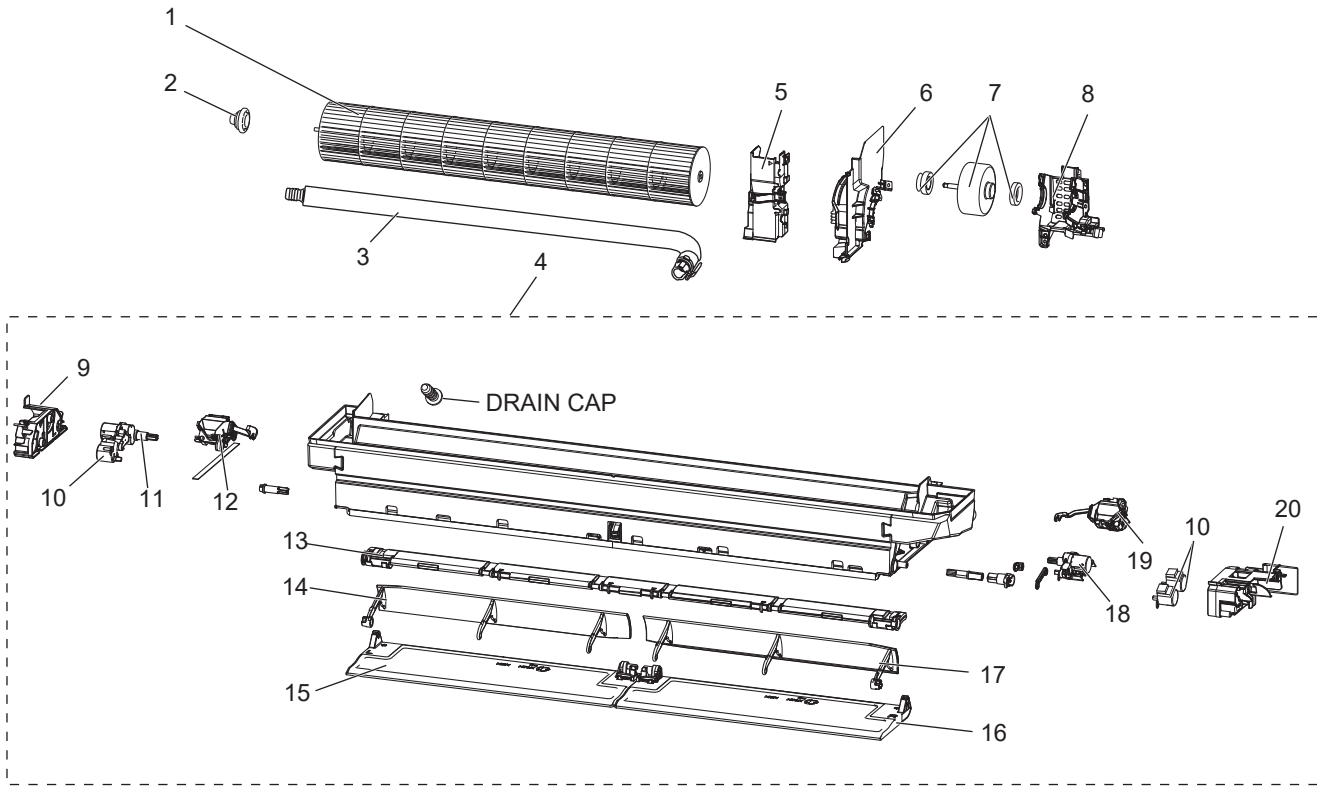
1. The part quantity below indicates the required number of pieces per unit.

No.	Part No.	Part name	MSZ-LN25VG2W - E2	MSZ-LN25VG2V - E2	MSZ-LN25VG2B - E2	MSZ-LN25VG2R - E2	MSZ-LN25VG2W - ER2	MSZ-LN25VG2V - ER2	MSZ-LN25VG2B - ER2	MSZ-LN25VG2R - ER2	MSZ-LN25VG2W - ET2	MSZ-LN25VG2V - ET2	MSZ-LN25VG2B - ET2	MSZ-LN25VG2R - ET2	MSZ-LN25VG2W - EN2	MSZ-LN25VG2V - EN2	MSZ-LN25VG2B - EN2	MSZ-LN25VG2R - EN2	Symbol in Wiring Diagram	Remarks
1	E22 65J 426	REMOTE CONTROLLER	1								1									SG19N
1	E22 66J 426	REMOTE CONTROLLER		1								1								XG19D
1	E22 67J 426	REMOTE CONTROLLER			1								1							XG19F
1	E22 68J 426	REMOTE CONTROLLER				1								1						XG19E
1	E22 91P 426	REMOTE CONTROLLER					1													SG19N
1	E22 92P 426	REMOTE CONTROLLER						1												XG19D
1	E22 93P 426	REMOTE CONTROLLER							1											XG19F
1	E22 94P 426	REMOTE CONTROLLER								1										XG19E
1	E22 81J 426	REMOTE CONTROLLER													1					SG19L
1	E22 82J 426	REMOTE CONTROLLER														1				XG19A
1	E22 83J 426	REMOTE CONTROLLER															1			XG19C
1	E22 84J 426	REMOTE CONTROLLER																1		XG19B

MSZ-LN25VG2W - [E2], [ER2], [EN2], [ET2] MSZ-LN25VG2V - [E2], [ER2], [EN2], [ET2]

MSZ-LN25VG2B - [E2], [ER2], [EN2], [ET2] MSZ-LN25VG2R - [E2], [ER2], [EN2], [ET2]

### 1-27. INDOOR UNIT ELECTRICAL PARTS AND FUNCTIONAL PARTS



## 1-27. INDOOR UNIT ELECTRICAL PARTS AND FUNCTIONAL PARTS

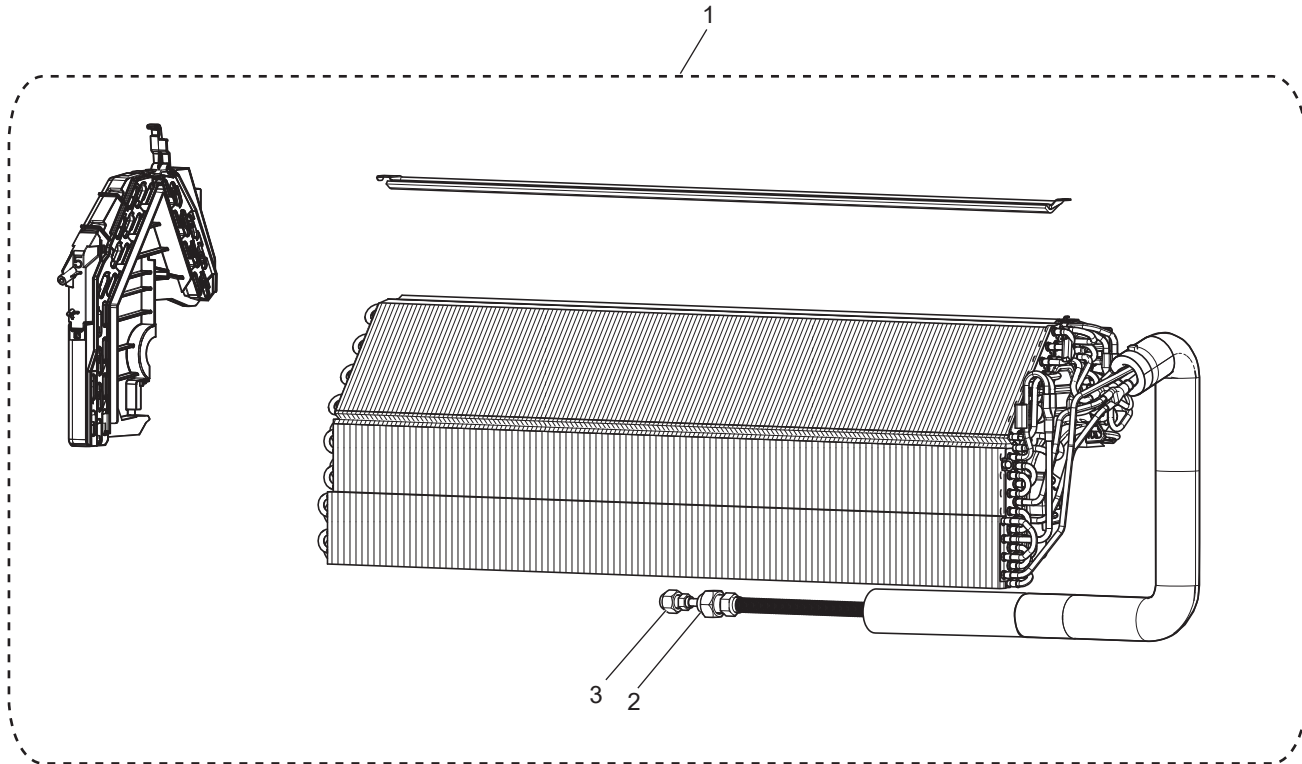
1. The part quantity below indicates the required number of pieces per unit.

No.	Part No.	Part name	MSZ-LN25VG2W - E2	MSZ-LN25VG2V - E2	MSZ-LN25VG2B - E2	MSZ-LN25VG2R - E2	MSZ-LN25VG2W - ER2	MSZ-LN25VG2V - ER2	MSZ-LN25VG2B - ER2	MSZ-LN25VG2R - ER2	MSZ-LN25VG2W - ET2	MSZ-LN25VG2V - ET2	MSZ-LN25VG2B - ET2	MSZ-LN25VG2R - ET2	MSZ-LN25VG2W - EN2	MSZ-LN25VG2V - EN2	MSZ-LN25VG2B - EN2	MSZ-LN25VG2R - EN2	Symbol in Wiring Diagram	Remarks
1	E22 Y52 302	LINE FLOW FAN	1	1	1	1	1	1	1	1	1	1	1	1	1	1	1	1		
2	E22 A89 509	BEARING MOUNT ASSEMBLY	1	1	1	1	1	1	1	1	1	1	1	1	1	1	1	1		
3	E22 T20 702	DRAIN HOSE	1	1	1	1	1	1	1	1	1	1	1	1						
3	E22 81J 702	DRAIN HOSE													1	1	1	1		
4	E22 Y52 235	NOZZLE ASSEMBLY	1	1			1	1			1	1			1	1				Full assembly excpt drain hose
4	E22 Y60 235	NOZZLE ASSEMBLY			1				1				1				1			Full assembly excpt drain hose
4	E22 Y64 235	NOZZLE ASSEMBLY				1				1				1				1		Full assembly excpt drain hose
5	E22 65J 541	WATER COVER	1	1	1	1	1	1	1	1	1	1	1	1	1	1	1	1		
6	E22 Y52 333	MOTOR BAND	1	1	1	1	1	1	1	1	1	1	1	1	1	1	1	1		
7	E22 65J 300	INDOOR FAN MOTOR	1	1	1	1	1	1	1	1	1	1	1	1	1	1	1	1	MF	RC0J40-□□ Includes rubber mount
8	E22 20A 333	MOTOR BED	1	1	1	1	1	1	1	1	1	1	1	1	1	1	1	1		
9	E22 65J 303	VANE MOTOR UNIT (L) (VERTICAL)	1	1	1	1	1	1	1	1	1	1	1	1	1	1	1	1	MV2	(RIGHT & LEFT)
10	E22 A89 303	VANE MOTOR (HORIZONTAL)	3	3	3	3	3	3	3	3	3	3	3	3	3	3	3	3	MV1	(UP & DOWN)
11	E22 Y53 303	OUTER VANE MOTOR (L) (HORIZONTAL)	1	1	1	1	1	1	1	1	1	1	1	1	1	1	1	1	MV1	(UP & DOWN)
12	E22 67J 303	VANE MOTOR (L) (VERTICAL)	1	1	1	1	1	1	1	1	1	1	1	1	1	1	1	1	MV2	(RIGHT & LEFT)
13	E22 Y52 046	VANE SLIDE ASSEMBLY	1	1			1	1			1	1			1	1				
13	E22 Y60 046	VANE SLIDE ASSEMBLY			1	1			1	1			1	1			1	1		
14	E22 Y53 040	INNER VANE (L)	1	1	1	1	1	1	1	1	1	1	1	1	1	1	1	1		
15	E22 Y53 041	OUTER VANE (L)	1	1			1	1			1	1			1	1				
15	E22 Y61 041	OUTER VANE (L)			1				1				1				1			
15	E22 Y65 041	OUTER VANE (L)				1				1				1				1		
16	E22 Y52 041	OUTER VANE (R)	1	1			1	1			1	1			1	1				
16	E22 Y60 041	OUTER VANE (R)			1				1				1				1			
16	E22 Y64 041	OUTER VANE (R)				1				1				1				1		
17	E22 Y52 040	INNER VANE (R)	1	1	1	1	1	1	1	1	1	1	1	1	1	1	1	1		
18	E22 Y54 303	OUTER VANE MOTOR (R) (HORIZONTAL)	1	1	1	1	1	1	1	1	1	1	1	1	1	1	1	1	MV1	(UP & DOWN)
19	E22 J44 303	VANE MOTOR (R) (VERTICAL)	1	1	1	1	1	1	1	1	1	1	1	1	1	1	1	1	MV2	(RIGHT & LEFT)
20	E22 66J 303	VANE MOTOR UNIT (R) (VERTICAL)	1	1	1	1	1	1	1	1	1	1	1	1	1	1	1	1	MV2	(RIGHT & LEFT)
21	E22 Y52 784	V.A. CLAMP	1	1	1	1	1	1	1	1	1	1	1	1	1	1	1	1		
22	E22 Y52 391	DISPLAY AND i-see SENSOR ASSEMBLY	1	1			1	1			1	1			1	1			MT	
22	E22 Y60 391	DISPLAY AND i-see SENSOR ASSEMBLY			1	1			1	1			1	1			1	1	MT	
23	E22 Y52 468	DISPLAY AND RECEIVER P.C. BOARD	1	1	1	1	1	1	1	1	1	1	1	1	1	1	1	1		
24	E22 Y52 326	SWITCH BUZZER P.C. BOARD	1	1	1	1	1	1	1	1	1	1	1	1	1	1	1	1		
25	E22 Y52 316	INTER LOCK SWITCH (AIR PURIFYING DEVICE)	1	1	1	1	1	1	1	1	1	1	1	1	1	1	1	1		
26	E22 T21 375	TERMINAL BLOCK	1	1	1	1	1	1	1	1	1	1	1	1	1	1	1	1	TB	3P
27	E22 A49 382	FUSE	1	1	1	1	1	1	1	1	1	1	1	1	1	1	1	1	F11	T3.15AL250V
28	E22 B75 385	VARISTOR	1	1	1	1	1	1	1	1	1	1	1	1	1	1	1	1	NR11	
29	E22 Y52 308	ROOM TEMPERATURE THERMISTOR	1	1	1	1	1	1	1	1	1	1	1	1	1	1	1	1	RT11	
30	E22 70J 452	ELECTRONIC CONTROL P.C. BOARD	1	1	1	1	1	1	1	1	1	1	1	1						
30	E22 86J 452	ELECTRONIC CONTROL P.C. BOARD													1	1	1	1		
31	E22 65J 307	INDOOR COIL THERMISTOR	1	1	1	1	1	1	1	1	1	1	1	1	1	1	1	1	RT12, RT13	
32	E22 Y52 440	POWER P.C. BOARD	1	1	1	1	1	1	1	1	1	1	1	1	1	1	1	1		
33	E22 77T 457	Wi-Fi INTERFACE MAC-577IF2-E	1	1	1	1	1	1	1	1	1	1	1	1	1	1	1	1		MAC-577IF2-E

**MSZ-LN25VG2W** - [E2], [ER2], [EN2], [ET2]    **MSZ-LN25VG2V** - [E2], [ER2], [EN2], [ET2]

**MSZ-LN25VG2B** - [E2], [ER2], [EN2], [ET2]    **MSZ-LN25VG2R** - [E2], [ER2], [EN2], [ET2]

**1-28. INDOOR UNIT HEAT EXCHANGER**





### 1-28. INDOOR UNIT HEAT EXCHANGER

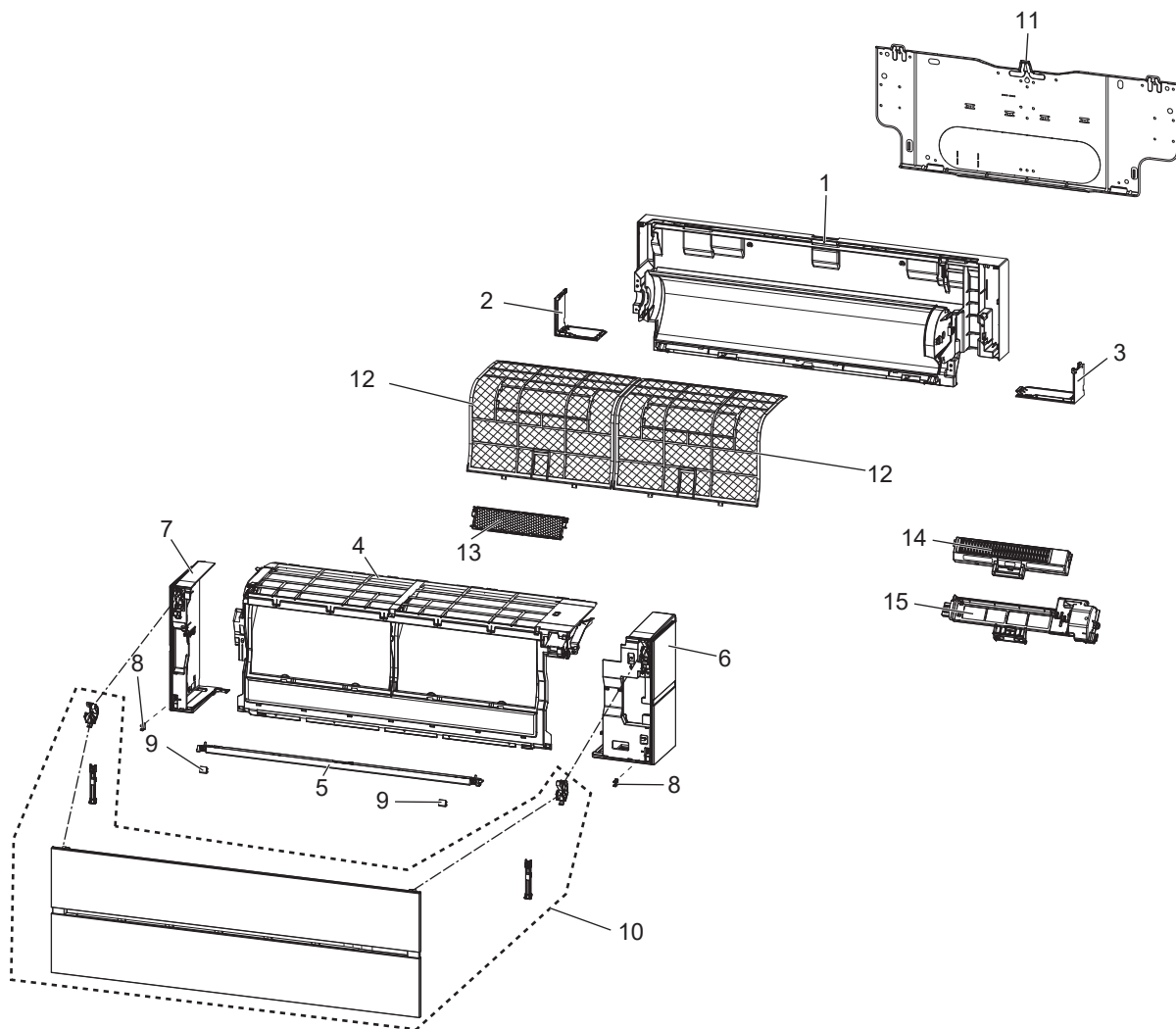
1. The part quantity below indicates the required number of pieces per unit.

No.	Part No.	Part name	MSZ-LN25VG2W - E2	MSZ-LN25VG2V - E2	MSZ-LN25VG2B - E2	MSZ-LN25VG2R - E2	MSZ-LN25VG2W - ER2	MSZ-LN25VG2V - ER2	MSZ-LN25VG2B - ER2	MSZ-LN25VG2R - ER2	MSZ-LN25VG2W - ET2	MSZ-LN25VG2V - ET2	MSZ-LN25VG2B - ET2	MSZ-LN25VG2R - ET2	MSZ-LN25VG2W - EN2	MSZ-LN25VG2V - EN2	MSZ-LN25VG2B - EN2	MSZ-LN25VG2R - EN2	Symbol in Wiring Diagram	Remarks	
1	E22 65J 620	INDOOR HEAT EXCHANGER	1	1	1	1	1	1	1	1	1	1	1	1							
1	E22 81J 620	INDOOR HEAT EXCHANGER													1	1	1	1			
2	E22 815 666	UNION (GAS)	1	1	1	1	1	1	1	1	1	1	1	1	1	1	1	1			ø9.52
3	E22 151 667	UNION (LIQUID)	1	1	1	1	1	1	1	1	1	1	1	1	1	1	1	1			ø6.35

MSZ-LN35VG2W - [E1], [ER1], [EN1], [ET1] MSZ-LN35VG2V - [E1], [ER1], [EN1], [ET1]

MSZ-LN35VG2B - [E1], [ER1], [EN1], [ET1] MSZ-LN35VG2R - [E1], [ER1], [EN1], [ET1]

### 1-29. INDOOR UNIT STRUCTURAL PARTS





## 1-29. INDOOR UNIT STRUCTURAL PARTS

1. The part quantity below indicates the required number of pieces per unit.

No.	Part No.	Part name	MSZ-LN35VG2W-ET	MSZ-LN35VG2V-ET	MSZ-LN35VG2B-ET	MSZ-LN35VG2R-ET	MSZ-LN35VG2W-ERI	MSZ-LN35VG2V-ERI	MSZ-LN35VG2B-ERI	MSZ-LN35VG2R-ERI	MSZ-LN35VG2W-ET1	MSZ-LN35VG2V-ET1	MSZ-LN35VG2B-ET1	MSZ-LN35VG2R-ET1	MSZ-LN35VG2W-EN1	MSZ-LN35VG2V-EN1	MSZ-LN35VG2B-EN1	MSZ-LN35VG2R-EN1	Symbol in Wiring Diagram	Remarks	
1	E22 Y52 234	BOX ASSEMBLY	1	1			1	1			1	1			1	1					
1	E22 Y60 234	BOX ASSEMBLY			1	1			1	1			1	1			1	1			
2	E22 Y52 976	CORNER BOX (L)	1	1			1	1			1	1			1	1					
2	E22 Y60 976	CORNER BOX (L)			1	1			1	1			1	1			1	1			
3	E22 Y52 975	CORNER BOX (R)	1	1			1	1			1	1			1	1					
3	E22 Y60 975	CORNER BOX (R)			1	1			1	1			1	1			1	1			
4	E22 Y52 000	PANEL ASSEMBLY (F)	1	1			1	1			1	1			1	1					
4	E22 Y60 000	PANEL ASSEMBLY (F)			1	1			1	1			1	1			1	1			
5	E22 Y52 717	PANEL (U)	1	1			1	1			1	1			1	1					
5	E22 Y60 717	PANEL (U)			1				1				1				1				
5	E22 Y64 717	PANEL (U)				1				1				1				1			
6	E22 Y52 085	PANEL ASSEMBLY (R)	1				1				1			1							
6	E22 Y56 085	PANEL ASSEMBLY (R)		1				1				1				1					
6	E22 Y60 085	PANEL ASSEMBLY (R)			1				1				1					1			
6	E22 Y64 085	PANEL ASSEMBLY (R)				1				1				1					1		
7	E22 Y52 086	PANEL ASSEMBLY (L)	1				1				1			1							
7	E22 Y56 086	PANEL ASSEMBLY (L)		1				1				1				1					
7	E22 Y60 086	PANEL ASSEMBLY (L)			1				1				1					1			
7	E22 Y64 086	PANEL ASSEMBLY (L)				1				1				1					1		
8	E22 F95 142	CATCH	2	2	2	2	2	2	2	2	2	2	2	2	2	2	2	2	2	2	2 PCS/SET
9	E22 Y52 067	SCREW CAP	2	2			2	2			2	2			2	2					
9	E22 Y60 067	SCREW CAP			2				2				2					2			
9	E22 Y64 067	SCREW CAP				2				2				2					2		
10	E22 Y52 010	FRONT PANEL	1				1				1			1							
10	E22 Y56 010	FRONT PANEL		1				1				1				1					
10	E22 Y60 010	FRONT PANEL			1				1				1					1			
10	E22 Y64 010	FRONT PANEL				1				1				1					1		
11	E22 Y52 970	INSTALLATION PLATE	1	1	1	1	1	1	1	1	1	1	1	1	1	1	1	1	1	1	
12	E22 Y52 100	AIR FILTER	2	2	2		2	2	2		2	2	2	2	2	2	2	2			1 PC/SET
12	E22 Y64 100	AIR FILTER				2				2				2					2		1 PC/SET
13	—	AIR CLEANING FILTER (DEODORIZING FILTER)	1	1	1	1	1	1	1	1	1	1	1	1	1	1	1	1	1	1	1 PC/SET MAC-3010FT-E
14	E22 Y52 774	AIR PURIFYING DEVICE	1	1	1	1	1	1	1	1	1	1	1	1	1	1	1	1	1	1	
15	E22 65J 775	AIR PURIFYING DEVICE SUPPORT	1	1	1	1	1	1	1	1	1	1	1	1	1	1	1	1	1	1	



**MSZ-LN35VG2W** -  E1,  ER1,  EN1,  ET1    **MSZ-LN35VG2V** -  E1,  ER1,  EN1,  ET1  
**MSZ-LN35VG2B** -  E1,  ER1,  EN1,  ET1    **MSZ-LN35VG2R** -  E1,  ER1,  EN1,  ET1

**1-30. ACCESSORY AND REMOTE CONTROLLER**



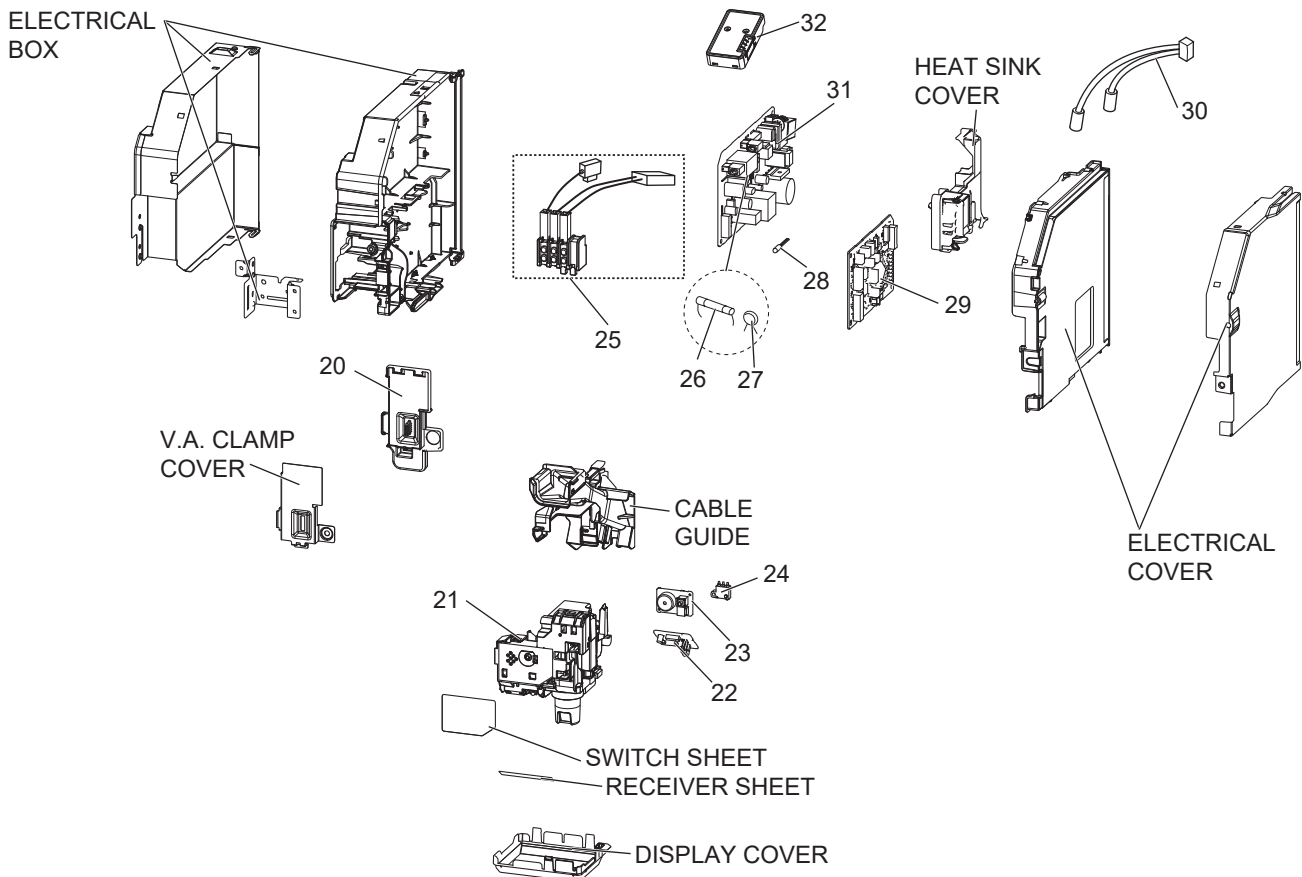
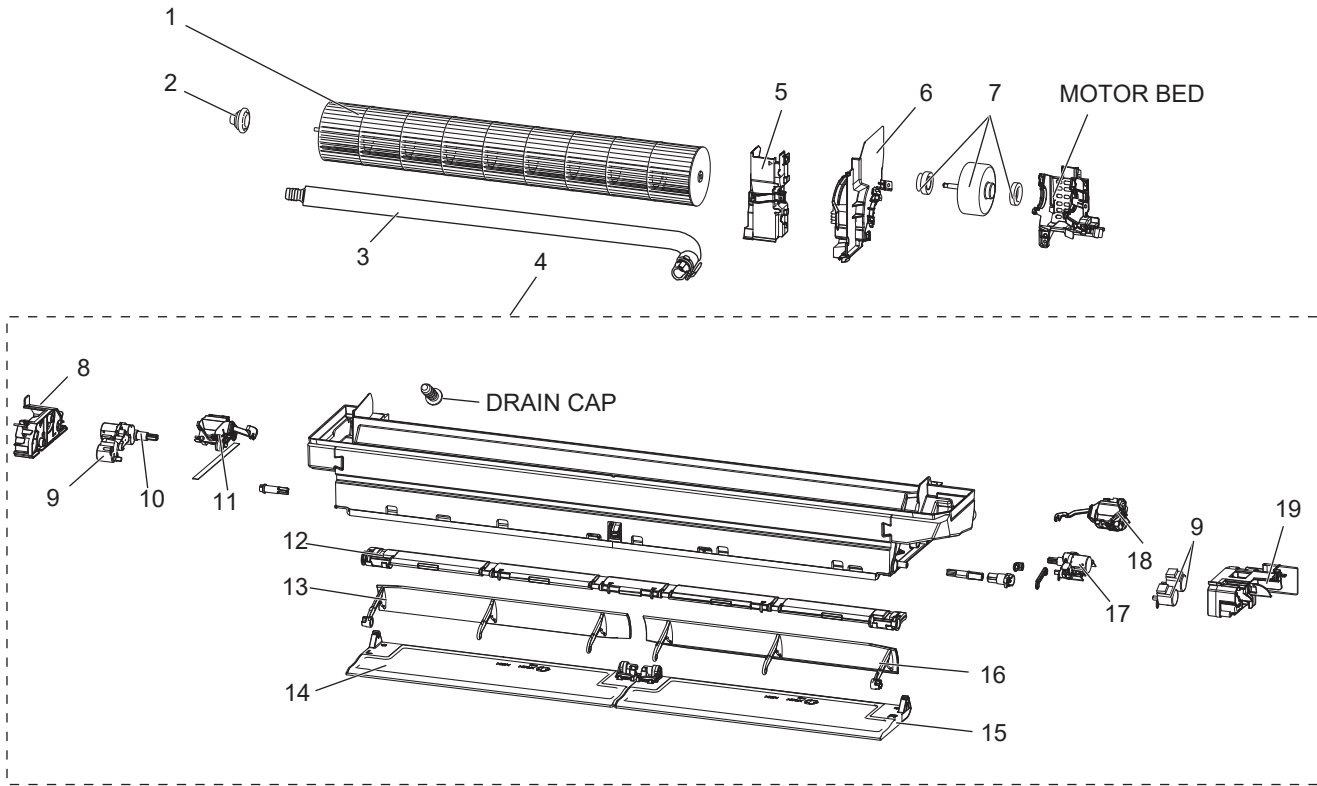
## 1-30. ACCESSORY AND REMOTE CONTROLLER

1. The part quantity below indicates the required number of pieces per unit.

No.	Part No.	Part name	MSZ-LN35VG2W-ET	MSZ-LN35VG2V-ET	MSZ-LN35VG2B-ET	MSZ-LN35VG2R-ET	MSZ-LN35VG2W-ER	MSZ-LN35VG2V-ER	MSZ-LN35VG2B-ER	MSZ-LN35VG2R-ER	MSZ-LN35VG2W-ET	MSZ-LN35VG2V-ET	MSZ-LN35VG2B-ET	MSZ-LN35VG2R-ET	MSZ-LN35VG2W-ER	MSZ-LN35VG2V-ER	MSZ-LN35VG2B-ER	Symbol in Wiring Diagram	Remarks
1	E22 65J 426	REMOTE CONTROLLER	1								1								SG19N
1	E22 66J 426	REMOTE CONTROLLER		1								1							XG19D
1	E22 67J 426	REMOTE CONTROLLER			1								1						XG19F
1	E22 68J 426	REMOTE CONTROLLER				1								1					XG19E
1	E22 91P 426	REMOTE CONTROLLER					1												SG19N
1	E22 92P 426	REMOTE CONTROLLER						1											XG19D
1	E22 93P 426	REMOTE CONTROLLER							1										XG19F
1	E22 94P 426	REMOTE CONTROLLER								1									XG19E
1	E22 81J 426	REMOTE CONTROLLER												1					SG19L
1	E22 82J 426	REMOTE CONTROLLER													1				XG19A
1	E22 83J 426	REMOTE CONTROLLER															1		XG19C
1	E22 84J 426	REMOTE CONTROLLER																1	XG19B

MSZ-LN35VG2W - [E1], [ER1], [EN1], [ET1] MSZ-LN35VG2V - [E1], [ER1], [EN1], [ET1]  
 MSZ-LN35VG2B - [E1], [ER1], [EN1], [ET1] MSZ-LN35VG2R - [E1], [ER1], [EN1], [ET1]

1-31. INDOOR UNIT ELECTRICAL PARTS AND FUNCTIONAL PARTS



## 1-31. INDOOR UNIT ELECTRICAL PARTS AND FUNCTIONAL PARTS

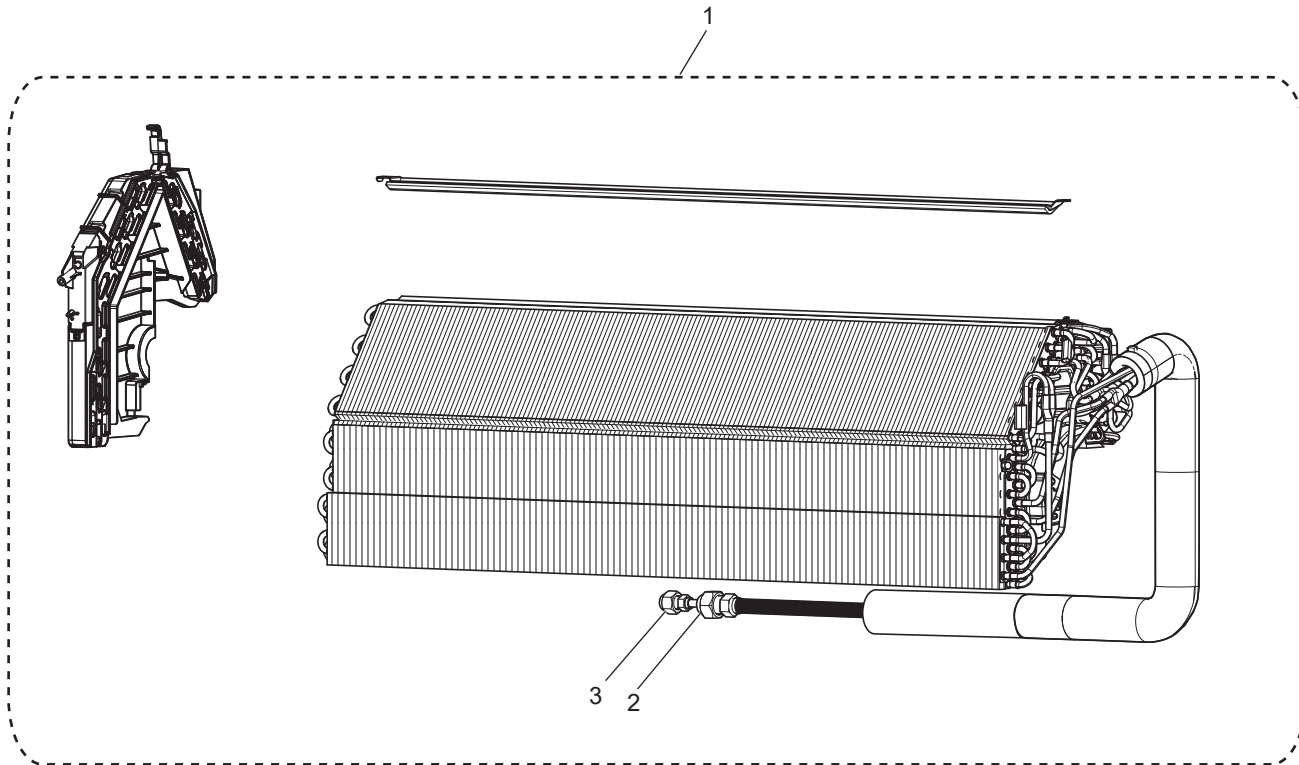
1. The part quantity below indicates the required number of pieces per unit.

No.	Part No.	Part name	MSZ-LN35VG2W-ET	MSZ-LN35VG2V-ET	MSZ-LN35VG2B-ET	MSZ-LN35VG2R-ET	MSZ-LN35VG2W-ENI	MSZ-LN35VG2V-ERI	MSZ-LN35VG2B-ERI	MSZ-LN35VG2R-ERI	MSZ-LN35VG2W-ET1	MSZ-LN35VG2V-ET1	MSZ-LN35VG2B-ET1	MSZ-LN35VG2R-ET1	MSZ-LN35VG2W-ENI1	MSZ-LN35VG2V-ENI1	MSZ-LN35VG2B-ENI1	MSZ-LN35VG2R-ENI1	Symbol in Wiring Diagram	Remarks
			1	1	1	1	1	1	1	1	1	1	1	1	1	1	1	1		
1	E22 Y52 302	LINE FLOW FAN	1	1	1	1	1	1	1	1	1	1	1	1	1	1	1	1		
2	E22 A89 509	BEARING MOUNT ASSEMBLY	1	1	1	1	1	1	1	1	1	1	1	1	1	1	1	1		
3	E22 T20 702	DRAIN HOSE	1	1	1	1	1	1	1	1	1	1	1	1						
3	E22 81J 702	DRAIN HOSE													1	1	1	1		
4	E22 Y52 235	NOZZLE ASSEMBLY	1	1			1	1			1	1			1	1				
4	E22 Y60 235	NOZZLE ASSEMBLY			1				1				1				1			
4	E22 Y64 235	NOZZLE ASSEMBLY				1			1				1				1			
5	E22 65J 541	WATER COVER	1	1	1	1	1	1	1	1	1	1	1	1	1	1	1	1		
6	E22 Y52 333	MOTOR BAND	1	1	1	1	1	1	1	1	1	1	1	1	1	1	1	1		
7	E22 65J 300	INDOOR FAN MOTOR	1	1	1	1	1	1	1	1	1	1	1	1	1	1	1	1	MF	RC0J40-□□
8	E22 65J 303	VANE MOTOR UNIT (L) (VERTICAL)	1	1	1	1	1	1	1	1	1	1	1	1	1	1	1	1	MV2	(RIGHT & LEFT)
9	E22 A89 303	VANE MOTOR (HORIZONTAL)	3	3	3	3	3	3	3	3	3	3	3	3	3	3	3	3	MV1	(UP & DOWN)
10	E22 Y53 303	OUTER VANE MOTOR (L) (HORIZONTAL)	1	1	1	1	1	1	1	1	1	1	1	1	1	1	1	1	MV1	(UP & DOWN)
11	E22 67J 303	VANE MOTOR (L) (VERTICAL)	1	1	1	1	1	1	1	1	1	1	1	1	1	1	1	1	MV2	(RIGHT & LEFT)
12	E22 Y52 046	VANE SLIDE ASSEMBLY	1	1			1	1			1	1			1	1				
12	E22 Y60 046	VANE SLIDE ASSEMBLY			1	1			1	1			1	1			1	1		
13	E22 Y53 040	INNER VANE (L)	1	1	1	1	1	1	1	1	1	1	1	1	1	1	1	1		
14	E22 Y53 041	OUTER VANE (L)	1	1			1	1			1	1			1	1				
14	E22 Y61 041	OUTER VANE (L)			1				1				1				1			
14	E22 Y65 041	OUTER VANE (L)				1			1				1				1			
15	E22 Y52 041	OUTER VANE (R)	1	1			1	1			1	1			1	1				
15	E22 Y60 041	OUTER VANE (R)			1				1				1				1			
15	E22 Y64 041	OUTER VANE (R)				1			1				1				1			
16	E22 Y52 040	INNER VANE (R)	1	1	1	1	1	1	1	1	1	1	1	1	1	1	1	1		
17	E22 Y54 303	OUTER VANE MOTOR (R) (HORIZONTAL)	1	1	1	1	1	1	1	1	1	1	1	1	1	1	1	1	MV1	(UP & DOWN)
18	E22 J44 303	VANE MOTOR (R) (VERTICAL)	1	1	1	1	1	1	1	1	1	1	1	1	1	1	1	1	MV2	(RIGHT & LEFT)
19	E22 66J 303	VANE MOTOR UNIT (R) (VERTICAL)	1	1	1	1	1	1	1	1	1	1	1	1	1	1	1	1	MV2	(RIGHT & LEFT)
20	E22 Y52 784	V.A. CLAMP	1	1	1	1	1	1	1	1	1	1	1	1	1	1	1	1		
21	E22 Y52 391	DISPLAY AND i-see SENSOR ASSEMBLY	1	1			1	1			1	1			1	1			MT	
21	E22 Y60 391	DISPLAY AND i-see SENSOR ASSEMBLY			1	1			1	1			1	1			1	1	MT	
22	E22 Y52 468	DISPLAY AND RECEIVER P.C. BOARD	1	1	1	1	1	1	1	1	1	1	1	1	1	1	1	1		
23	E22 Y52 326	SWITCH BUZZER P.C. BOARD	1	1	1	1	1	1	1	1	1	1	1	1	1	1	1	1		
24	E22 Y52 316	INTER LOCK SWITCH (AIR PURIFYING DEVICE)	1	1	1	1	1	1	1	1	1	1	1	1	1	1	1	1		
25	E22 T21 375	TERMINAL BLOCK	1	1	1	1	1	1	1	1	1	1	1	1	1	1	1	1	TB	3P
26	E22 A49 382	FUSE	1	1	1	1	1	1	1	1	1	1	1	1	1	1	1	1	F11	T3.15AL250V
27	E22 B75 385	VARISTOR	1	1	1	1	1	1	1	1	1	1	1	1	1	1	1	1	NR11	
28	E22 Y52 308	ROOM TEMPERATURE THERMISTOR	1	1	1	1	1	1	1	1	1	1	1	1	1	1	1	1	RT11	
29	E22 73J 452	ELECTRONIC CONTROL P.C. BOARD	1	1	1	1	1	1	1	1	1	1	1	1						
29	E22 89J 452	ELECTRONIC CONTROL P.C. BOARD													1	1	1	1		
30	E22 65J 307	INDOOR COIL THERMISTOR	1	1	1	1	1	1	1	1	1	1	1	1	1	1	1	1	RT12, RT13	
31	E22 Y52 440	POWER P.C. BOARD	1	1	1	1	1	1	1	1	1	1	1	1	1	1	1	1		
32	E22 Y52 457	Wi-Fi INTERFACE MAC-567IFB-E	1	1	1	1	1	1	1	1	1	1	1	1	1	1	1	1		MAC-567IFB-E

**MSZ-LN35VG2W** - E1, ER1, EN1, ET1    **MSZ-LN35VG2V** - E1, ER1, EN1, ET1

**MSZ-LN35VG2B** - E1, ER1, EN1, ET1    **MSZ-LN35VG2R** - E1, ER1, EN1, ET1

### 1-32. INDOOR UNIT HEAT EXCHANGER



## 1-32. INDOOR UNIT HEAT EXCHANGER

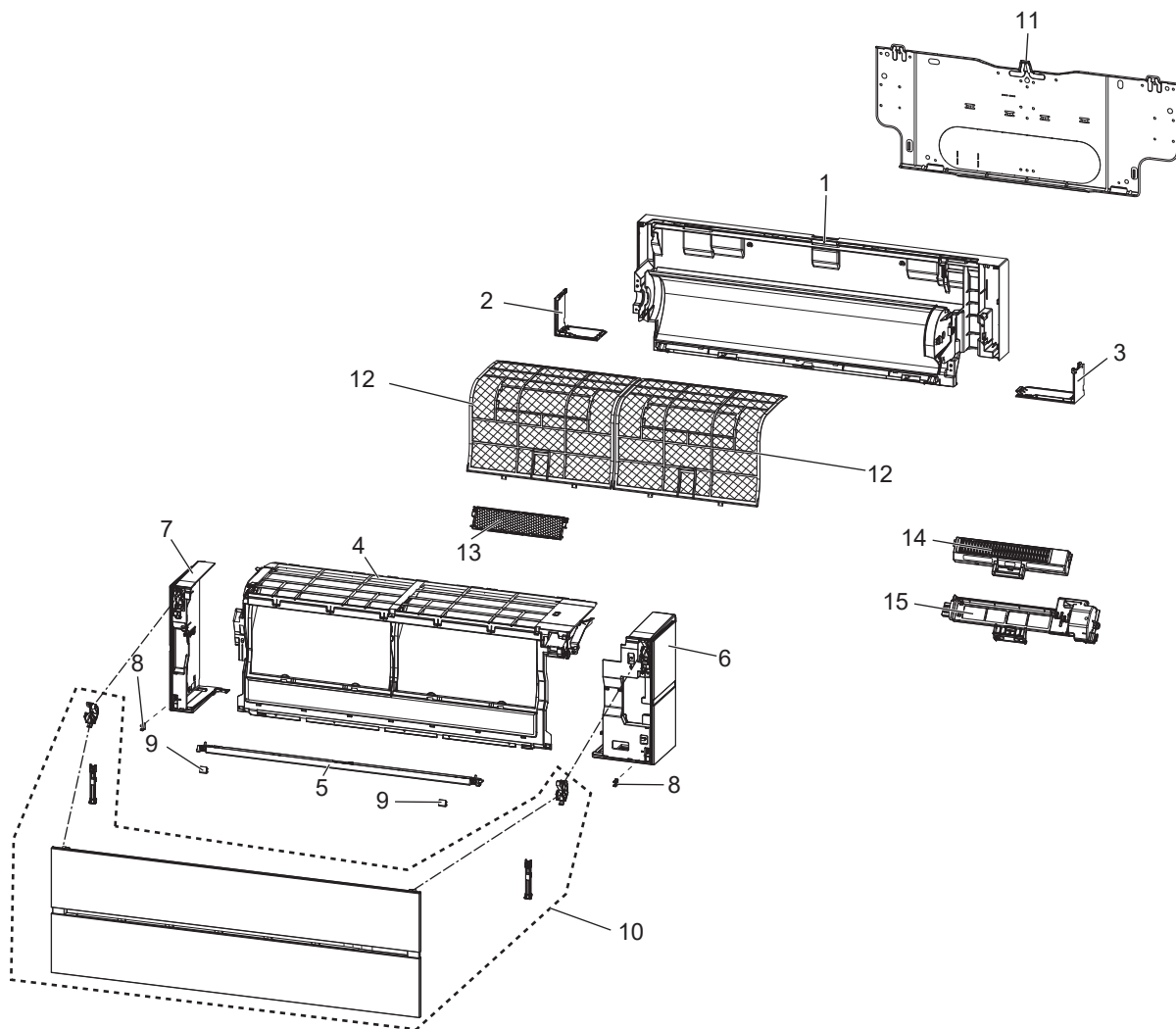
1. The part quantity below indicates the required number of pieces per unit.

No.	Part No.	Part name	MSZ-LN35VG2W-ET	MSZ-LN35VG2V-ET	MSZ-LN35VG2B-ET	MSZ-LN35VG2R-ET	MSZ-LN35VG2W-ER1	MSZ-LN35VG2V-ER1	MSZ-LN35VG2B-ER1	MSZ-LN35VG2R-ER1	MSZ-LN35VG2W-ET1	MSZ-LN35VG2V-ET1	MSZ-LN35VG2B-ET1	MSZ-LN35VG2R-ET1	MSZ-LN35VG2W-EN1	MSZ-LN35VG2V-EN1	MSZ-LN35VG2B-EN1	MSZ-LN35VG2R-EN1	Symbol in Wiring Diagram	Remarks	
1	E22 65J 620	INDOOR HEAT EXCHANGER	1	1	1	1	1	1	1	1	1	1	1	1							
1	E22 81J 620	INDOOR HEAT EXCHANGER													1	1	1	1			
2	E22 815 666	UNION (GAS)	1	1	1	1	1	1	1	1	1	1	1	1	1	1	1	1			ø9.52
3	E22 151 667	UNION (LIQUID)	1	1	1	1	1	1	1	1	1	1	1	1	1	1	1	1			ø6.35

MSZ-LN35VG2W - [E2], [ER2], [EN2], [ET2] MSZ-LN35VG2V - [E2], [ER2], [EN2], [ET2]

MSZ-LN35VG2B - [E2], [ER2], [EN2], [ET2] MSZ-LN35VG2R - [E2], [ER2], [EN2], [ET2]

### 1-33. INDOOR UNIT STRUCTURAL PARTS





### 1-33. INDOOR UNIT STRUCTURAL PARTS

1. The part quantity below indicates the required number of pieces per unit.

No.	Part No.	Part name	MSZ-LN35VG2W -E2	MSZ-LN35VG2V -E2	MSZ-LN35VG2B -E2	MSZ-LN35VG2R -E2	MSZ-LN35VG2W -ER2	MSZ-LN35VG2V -ER2	MSZ-LN35VG2B -ER2	MSZ-LN35VG2R -ER2	MSZ-LN35VG2W -ET2	MSZ-LN35VG2V -ET2	MSZ-LN35VG2B -ET2	MSZ-LN35VG2R -ET2	MSZ-LN35VG2W -EN2	MSZ-LN35VG2V -EN2	MSZ-LN35VG2B -EN2	MSZ-LN35VG2R -EN2	Symbol in Wiring Diagram	Remarks	
1	E22 Y52 234	BOX ASSEMBLY	1	1			1	1			1	1			1	1					
1	E22 Y60 234	BOX ASSEMBLY			1	1			1	1			1	1			1	1			
2	E22 Y52 976	CORNER BOX (L)	1	1			1	1			1	1			1	1					
2	E22 Y60 976	CORNER BOX (L)			1	1			1	1			1	1			1	1			
3	E22 Y52 975	CORNER BOX (R)	1	1			1	1			1	1			1	1					
3	E22 Y60 975	CORNER BOX (R)			1	1			1	1			1	1			1	1			
4	E22 Y52 000	PANEL ASSEMBLY (F)	1	1			1	1			1	1			1	1					
4	E22 Y60 000	PANEL ASSEMBLY (F)			1	1			1	1			1	1			1	1			
5	E22 Y52 717	PANEL (U)	1	1			1	1			1	1			1	1					
5	E22 Y60 717	PANEL (U)			1				1				1				1				
5	E22 Y64 717	PANEL (U)				1				1				1				1			
6	E22 Y52 085	PANEL ASSEMBLY (R)	1				1				1			1						Includes CATCH (1PC)	
6	E22 Y56 085	PANEL ASSEMBLY (R)		1				1				1			1					Includes CATCH (1PC)	
6	E22 Y60 085	PANEL ASSEMBLY (R)			1				1				1				1			Includes CATCH (1PC)	
6	E22 Y64 085	PANEL ASSEMBLY (R)				1				1				1				1		Includes CATCH (1PC)	
7	E22 Y52 086	PANEL ASSEMBLY (L)	1				1				1			1						Includes CATCH (1PC)	
7	E22 Y56 086	PANEL ASSEMBLY (L)		1				1				1			1					Includes CATCH (1PC)	
7	E22 Y60 086	PANEL ASSEMBLY (L)			1				1				1				1			Includes CATCH (1PC)	
7	E22 Y64 086	PANEL ASSEMBLY (L)				1				1				1				1		Includes CATCH (1PC)	
8	E22 F95 142	CATCH	2	2	2	2	2	2	2	2	2	2	2	2	2	2	2	2	2	2	2 PCS/SET
9	E22 Y52 067	SCREW CAP	2	2			2	2			2	2			2	2				2	2 PCS/SET
9	E22 Y60 067	SCREW CAP			2				2				2				2			2	2 PCS/SET
9	E22 Y64 067	SCREW CAP				2				2				2				2		2	2 PCS/SET
10	E22 Y52 010	FRONT PANEL	1				1				1			1							
10	E22 Y56 010	FRONT PANEL		1				1				1			1						
10	E22 Y60 010	FRONT PANEL			1				1				1				1				
10	E22 Y64 010	FRONT PANEL				1				1				1				1			
11	E22 Y52 970	INSTALLATION PLATE	1	1	1	1	1	1	1	1	1	1	1	1	1	1	1	1	1	1	
12	E22 Y52 100	AIR FILTER	2	2	2		2	2	2		2	2	2		2	2	2				1 PC/SET
12	E22 Y64 100	AIR FILTER				2				2				2				2			1 PC/SET
13	—	AIR CLEANING FILTER (DEODORIZING FILTER)	1	1	1	1	1	1	1	1	1	1	1	1	1	1	1	1	1	1	1 PC/SET MAC-3010FT-E
14	E22 Y52 774	AIR PURIFYING DEVICE	1	1	1	1	1	1	1	1	1	1	1	1	1	1	1	1	1	1	
15	E22 65J 775	AIR PURIFYING DEVICE SUPPORT	1	1	1	1	1	1	1	1	1	1	1	1	1	1	1	1	1	1	Equipped with connecting terminal



**MSZ-LN35VG2W** -  E2,  ER2,  EN2,  ET2    **MSZ-LN35VG2V** -  E2,  ER2,  EN2,  ET2  
**MSZ-LN35VG2B** -  E2,  ER2,  EN2,  ET2    **MSZ-LN35VG2R** -  E2,  ER2,  EN2,  ET2

**1-34. ACCESSORY AND REMOTE CONTROLLER**



## 1-34. ACCESSORY AND REMOTE CONTROLLER

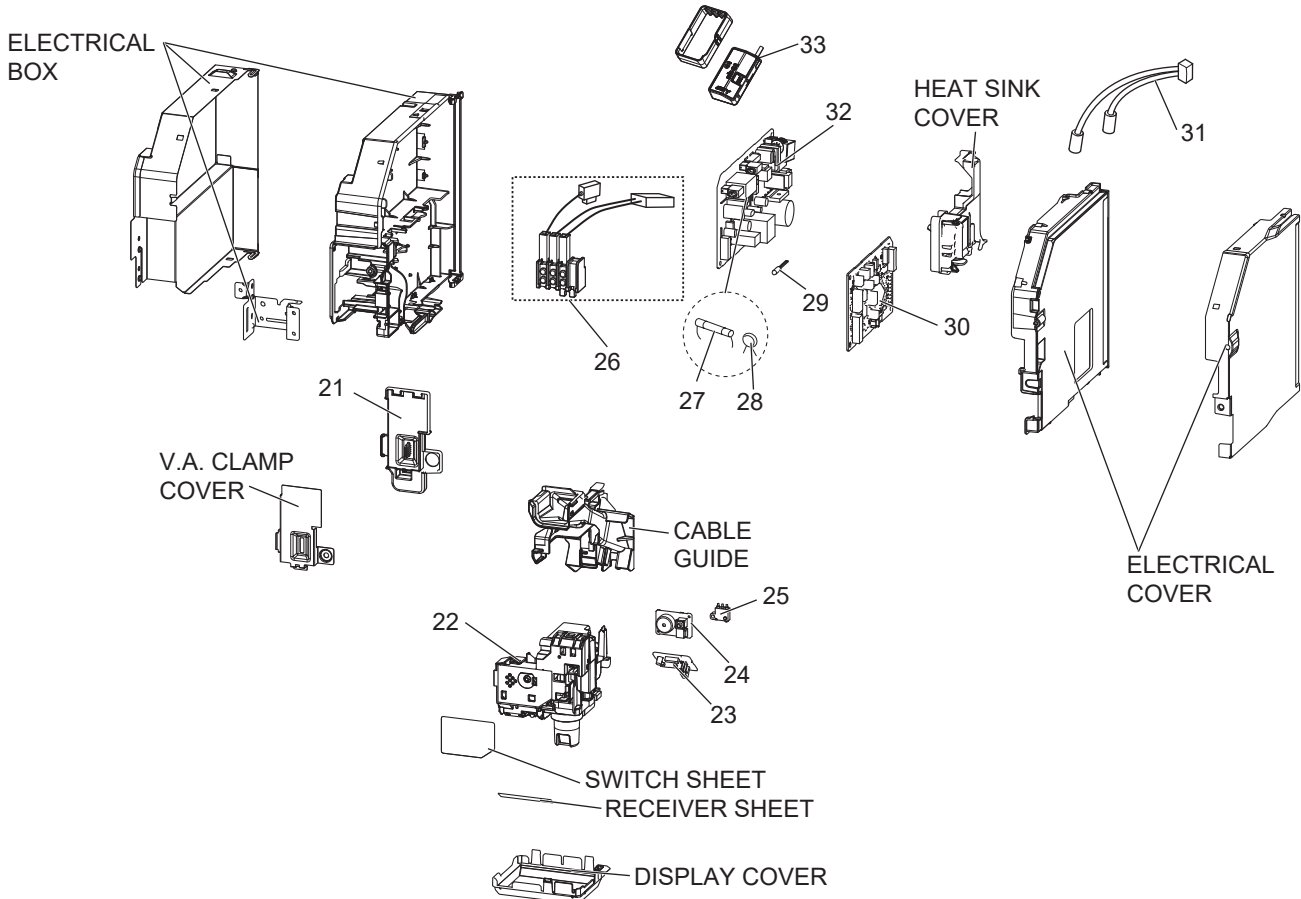
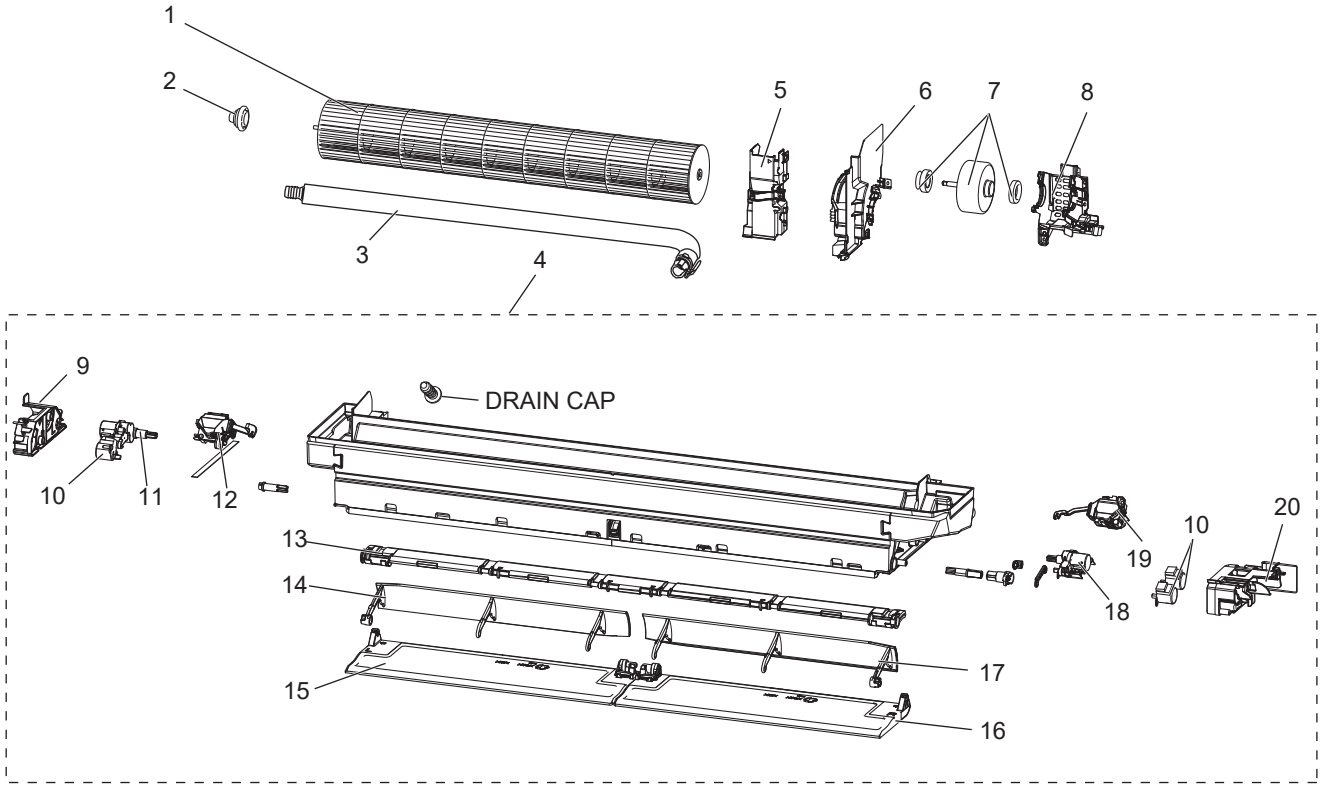
1. The part quantity below indicates the required number of pieces per unit.

No.	Part No.	Part name	MSZ-LN35VG2W-E2	MSZ-LN35VG2V-E2	MSZ-LN35VG2B-E2	MSZ-LN35VG2R-E2	MSZ-LN35VG2W-ER2	MSZ-LN35VG2V-ER2	MSZ-LN35VG2B-ER2	MSZ-LN35VG2R-ER2	MSZ-LN35VG2W-ET2	MSZ-LN35VG2V-ET2	MSZ-LN35VG2B-ET2	MSZ-LN35VG2R-ET2	MSZ-LN35VG2W-EN2	MSZ-LN35VG2V-EN2	MSZ-LN35VG2B-EN2	MSZ-LN35VG2R-EN2	Symbol in Wiring Diagram	Remarks
1	E22 65J 426	REMOTE CONTROLLER	1								1									SG19N
1	E22 66J 426	REMOTE CONTROLLER		1								1								XG19D
1	E22 67J 426	REMOTE CONTROLLER			1								1							XG19F
1	E22 68J 426	REMOTE CONTROLLER				1								1						XG19E
1	E22 91P 426	REMOTE CONTROLLER					1													SG19N
1	E22 92P 426	REMOTE CONTROLLER						1												XG19D
1	E22 93P 426	REMOTE CONTROLLER							1											XG19F
1	E22 94P 426	REMOTE CONTROLLER								1										XG19E
1	E22 81J 426	REMOTE CONTROLLER													1					SG19L
1	E22 82J 426	REMOTE CONTROLLER														1				XG19A
1	E22 83J 426	REMOTE CONTROLLER															1			XG19C
1	E22 84J 426	REMOTE CONTROLLER																1		XG19B

MSZ-LN35VG2W - [E2], [ER2], [EN2], [ET2] MSZ-LN35VG2V - [E2], [ER2], [EN2], [ET2]

MSZ-LN35VG2B - [E2], [ER2], [EN2], [ET2] MSZ-LN35VG2R - [E2], [ER2], [EN2], [ET2]

### 1-35. INDOOR UNIT ELECTRICAL PARTS AND FUNCTIONAL PARTS



### 1-35. INDOOR UNIT ELECTRICAL PARTS AND FUNCTIONAL PARTS

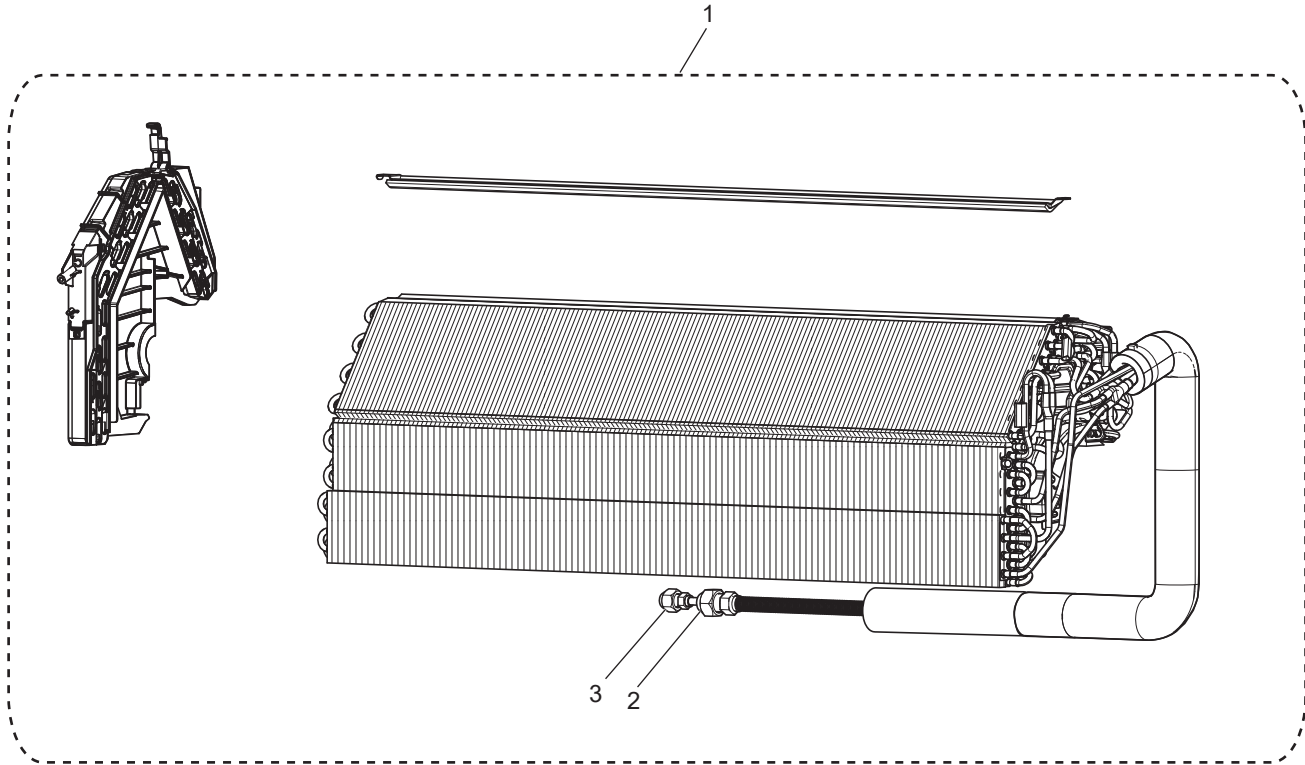
1. The part quantity below indicates the required number of pieces per unit.

No.	Part No.	Part name	MSZ-LN35VG2W-E2	MSZ-LN35VG2V-E2	MSZ-LN35VG2B-E2	MSZ-LN35VG2R-E2	MSZ-LN35VG2W-ER2	MSZ-LN35VG2V-ER2	MSZ-LN35VG2B-ER2	MSZ-LN35VG2R-ER2	MSZ-LN35VG2W-ET2	MSZ-LN35VG2V-ET2	MSZ-LN35VG2B-ET2	MSZ-LN35VG2R-ET2	MSZ-LN35VG2W-EN2	MSZ-LN35VG2V-EN2	MSZ-LN35VG2B-EN2	MSZ-LN35VG2R-EN2	Symbol in Wiring Diagram	Remarks
1	E22 Y52 302	LINE FLOW FAN	1	1	1	1	1	1	1	1	1	1	1	1	1	1	1	1		
2	E22 A89 509	BEARING MOUNT ASSEMBLY	1	1	1	1	1	1	1	1	1	1	1	1	1	1	1	1		
3	E22 T20 702	DRAIN HOSE	1	1	1	1	1	1	1	1	1	1	1	1						
3	E22 81J 702	DRAIN HOSE													1	1	1	1		
4	E22 Y52 235	NOZZLE ASSEMBLY	1	1			1	1			1	1			1	1				Full assembly excpt drain hose
4	E22 Y60 235	NOZZLE ASSEMBLY			1				1				1				1			Full assembly excpt drain hose
4	E22 Y64 235	NOZZLE ASSEMBLY				1				1				1				1		Full assembly excpt drain hose
5	E22 65J 541	WATER COVER	1	1	1	1	1	1	1	1	1	1	1	1	1	1	1	1		
6	E22 Y52 333	MOTOR BAND	1	1	1	1	1	1	1	1	1	1	1	1	1	1	1	1		
7	E22 65J 300	INDOOR FAN MOTOR	1	1	1	1	1	1	1	1	1	1	1	1	1	1	1	1	MF	RC0J40-□□ Includes rubber mount
8	E22 20A 333	MOTOR BED	1	1	1	1	1	1	1	1	1	1	1	1	1	1	1	1		
9	E22 65J 303	VANE MOTOR UNIT (L) (VERTICAL)	1	1	1	1	1	1	1	1	1	1	1	1	1	1	1	1	MV2	(RIGHT & LEFT)
10	E22 A89 303	VANE MOTOR (HORIZONTAL)	3	3	3	3	3	3	3	3	3	3	3	3	3	3	3	3	MV1	(UP & DOWN)
11	E22 Y53 303	OUTER VANE MOTOR (L) (HORIZONTAL)	1	1	1	1	1	1	1	1	1	1	1	1	1	1	1	1	MV1	(UP & DOWN)
12	E22 67J 303	VANE MOTOR (L) (VERTICAL)	1	1	1	1	1	1	1	1	1	1	1	1	1	1	1	1	MV2	(RIGHT & LEFT)
13	E22 Y52 046	VANE SLIDE ASSEMBLY	1	1			1	1			1	1			1	1				
13	E22 Y60 046	VANE SLIDE ASSEMBLY			1	1			1	1			1	1			1	1		
14	E22 Y53 040	INNER VANE (L)	1	1	1	1	1	1	1	1	1	1	1	1	1	1	1	1		
15	E22 Y53 041	OUTER VANE (L)	1	1			1	1			1	1			1	1				
15	E22 Y61 041	OUTER VANE (L)			1				1				1				1			
15	E22 Y65 041	OUTER VANE (L)				1				1				1				1		
16	E22 Y52 041	OUTER VANE (R)	1	1			1	1			1	1			1	1				
16	E22 Y60 041	OUTER VANE (R)			1				1				1				1			
16	E22 Y64 041	OUTER VANE (R)				1				1				1				1		
17	E22 Y52 040	INNER VANE (R)	1	1	1	1	1	1	1	1	1	1	1	1	1	1	1	1		
18	E22 Y54 303	OUTER VANE MOTOR (R) (HORIZONTAL)	1	1	1	1	1	1	1	1	1	1	1	1	1	1	1	1	MV1	(UP & DOWN)
19	E22 J44 303	VANE MOTOR (R) (VERTICAL)	1	1	1	1	1	1	1	1	1	1	1	1	1	1	1	1	MV2	(RIGHT & LEFT)
20	E22 66J 303	VANE MOTOR UNIT (R) (VERTICAL)	1	1	1	1	1	1	1	1	1	1	1	1	1	1	1	1	MV2	(RIGHT & LEFT)
21	E22 Y52 784	V.A. CLAMP	1	1	1	1	1	1	1	1	1	1	1	1	1	1	1	1		
22	E22 Y52 391	DISPLAY AND i-see SENSOR ASSEMBLY	1	1			1	1			1	1			1	1			MT	
22	E22 Y60 391	DISPLAY AND i-see SENSOR ASSEMBLY			1	1			1	1			1	1			1	1	MT	
23	E22 Y52 468	DISPLAY AND RECEIVER P.C. BOARD	1	1	1	1	1	1	1	1	1	1	1	1	1	1	1	1		
24	E22 Y52 326	SWITCH BUZZER P.C. BOARD	1	1	1	1	1	1	1	1	1	1	1	1	1	1	1	1		
25	E22 Y52 316	INTER LOCK SWITCH (AIR PURIFYING DEVICE)	1	1	1	1	1	1	1	1	1	1	1	1	1	1	1	1		
26	E22 T21 375	TERMINAL BLOCK	1	1	1	1	1	1	1	1	1	1	1	1	1	1	1	1	TB	3P
27	E22 A49 382	FUSE	1	1	1	1	1	1	1	1	1	1	1	1	1	1	1	1	F11	T3.15AL250V
28	E22 B75 385	VARISTOR	1	1	1	1	1	1	1	1	1	1	1	1	1	1	1	1	NR11	
29	E22 Y52 308	ROOM TEMPERATURE THERMISTOR	1	1	1	1	1	1	1	1	1	1	1	1	1	1	1	1	RT11	
30	E22 74J 452	ELECTRONIC CONTROL P.C. BOARD	1	1	1	1	1	1	1	1	1	1	1	1						
30	E22 90J 452	ELECTRONIC CONTROL P.C. BOARD													1	1	1	1		
31	E22 65J 307	INDOOR COIL THERMISTOR	1	1	1	1	1	1	1	1	1	1	1	1	1	1	1	1	RT12, RT13	
32	E22 Y52 440	POWER P.C. BOARD	1	1	1	1	1	1	1	1	1	1	1	1	1	1	1	1		
33	E22 77T 457	Wi-Fi INTERFACE MAC-577IF2-E	1	1	1	1	1	1	1	1	1	1	1	1	1	1	1	1		MAC-577IF2-E

**MSZ-LN35VG2W** - [E2], [ER2], [EN2], [ET2] **MSZ-LN35VG2V** - [E2], [ER2], [EN2], [ET2]

**MSZ-LN35VG2B** - [E2], [ER2], [EN2], [ET2] **MSZ-LN35VG2R** - [E2], [ER2], [EN2], [ET2]

**1-36. INDOOR UNIT HEAT EXCHANGER**



### 1-36. INDOOR UNIT HEAT EXCHANGER

1. The part quantity below indicates the required number of pieces per unit.

No.	Part No.	Part name	MSZ-LN35VG2W - E2	MSZ-LN35VG2V - E2	MSZ-LN35VG2B - E2	MSZ-LN35VG2R - E2	MSZ-LN35VG2W - ER2	MSZ-LN35VG2V - ER2	MSZ-LN35VG2B - ER2	MSZ-LN35VG2R - ER2	MSZ-LN35VG2W - ET2	MSZ-LN35VG2V - ET2	MSZ-LN35VG2B - ET2	MSZ-LN35VG2R - ET2	MSZ-LN35VG2W - EN2	MSZ-LN35VG2V - EN2	MSZ-LN35VG2B - EN2	MSZ-LN35VG2R - EN2	Symbol in Wiring Diagram	Remarks	
1	E22 65J 620	INDOOR HEAT EXCHANGER	1	1	1	1	1	1	1	1	1	1	1	1							
1	E22 81J 620	INDOOR HEAT EXCHANGER													1	1	1	1			
2	E22 815 666	UNION (GAS)	1	1	1	1	1	1	1	1	1	1	1	1	1	1	1	1			ø9.52
3	E22 151 667	UNION (LIQUID)	1	1	1	1	1	1	1	1	1	1	1	1	1	1	1	1			ø6.35

MSZ-LN50VGW - E1

MSZ-LN50VGV - E1

MSZ-LN50VGB - E1

MSZ-LN50VGR - E1

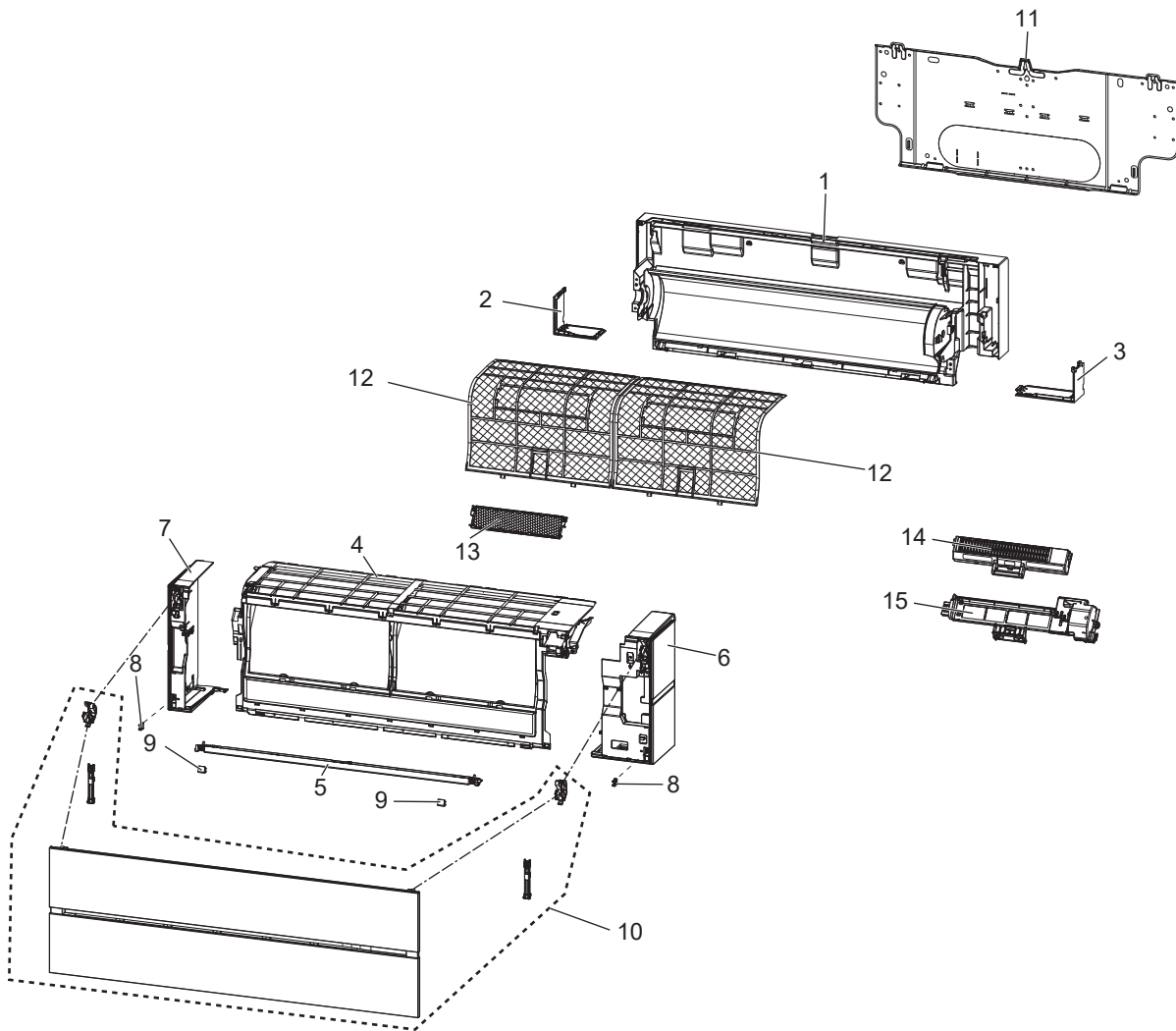
MSZ-LN60VGW - E1

MSZ-LN60VGV - E1

MSZ-LN60VGB - E1

MSZ-LN60VGR - E1

### 1-37. INDOOR UNIT STRUCTURAL PARTS



### 1-38. ACCESSORY AND REMOTE CONTROLLER





## 1-37. INDOOR UNIT STRUCTURAL PARTS

1. The part quantity below indicates the required number of pieces per unit.

No.	Part No.	Part name	MSZ-LN50VGW - [E1]	MSZ-LN50GV - [E1]	MSZ-LN50VGB - [E1]	MSZ-LN50VGR - [E1]	MSZ-LN60VGW - [E1]	MSZ-LN60GV - [E1]	MSZ-LN60VGB - [E1]	MSZ-LN60VGR - [E1]	Symbol in Wiring Diagram	Remarks
1	E22 Y52 234	BOX ASSEMBLY	1	1			1	1				
1	E22 Y60 234	BOX ASSEMBLY			1	1			1	1		
2	E22 Y52 976	CORNER BOX (L)	1	1			1	1				
2	E22 Y60 976	CORNER BOX (L)			1	1			1	1		
3	E22 Y52 975	CORNER BOX (R)	1	1			1	1				
3	E22 Y60 975	CORNER BOX (R)			1	1			1	1		
4	E22 Y52 000	PANEL ASSEMBLY (F)	1	1			1	1				
4	E22 Y60 000	PANEL ASSEMBLY (F)			1	1			1	1		
5	E22 Y52 717	PANEL (U)	1	1			1	1				
5	E22 Y60 717	PANEL (U)			1				1			
5	E22 Y64 717	PANEL (U)				1				1		
6	E22 Y52 085	PANEL ASSEMBLY (R)	1				1					
6	E22 Y56 085	PANEL ASSEMBLY (R)		1				1				
6	E22 Y60 085	PANEL ASSEMBLY (R)			1				1			
6	E22 Y64 085	PANEL ASSEMBLY (R)				1				1		
7	E22 Y52 086	PANEL ASSEMBLY (L)	1				1					
7	E22 Y56 086	PANEL ASSEMBLY (L)		1				1				
7	E22 Y60 086	PANEL ASSEMBLY (L)			1				1			
7	E22 Y64 086	PANEL ASSEMBLY (L)				1				1		
8	E22 F95 142	CATCH	2	2	2	2	2	2	2	2		2 PCS/SET
9	E22 Y52 067	SCREW CAP	2	2			2	2				
9	E22 Y60 067	SCREW CAP			2				2			
9	E22 Y64 067	SCREW CAP				2				2		
10	E22 Y52 010	FRONT PANEL	1				1					
10	E22 Y56 010	FRONT PANEL		1				1				
10	E22 Y60 010	FRONT PANEL			1				1			
10	E22 Y64 010	FRONT PANEL				1				1		
11	E22 Y52 970	INSTALLATION PLATE	1	1	1	1	1	1	1	1		
12	E22 Y52 100	AIR FILTER	2	2	2		2	2	2			1 PC/SET
12	E22 Y64 100	AIR FILTER				2				2		1 PC/SET
13	—	AIR CLEANING FILTER (DEODORIZING FILTER)	1	1	1	1	1	1	1	1		1 PC/SET MAC-3010FT-E
14	E22 Y52 774	AIR PURIFYING DEVICE	1	1	1	1	1	1	1	1		
15	E22 Y52 775	AIR PURIFYING DEVICE SUPPORT	1	1	1	1	1	1	1	1		

## 1-38. ACCESSORY AND REMOTE CONTROLLER

1. The part quantity below indicates the required number of pieces per unit.

No.	Part No.	Part name	MSZ-LN50VGW - [E1]	MSZ-LN50GV - [E1]	MSZ-LN50VGB - [E1]	MSZ-LN50VGR - [E1]	MSZ-LN60VGW - [E1]	MSZ-LN60GV - [E1]	MSZ-LN60VGB - [E1]	MSZ-LN60VGR - [E1]	Symbol in Wiring Diagram	Remarks
16	E22 Y52 426	REMOTE CONTROLLER	1				1					SG16L
16	E22 Y56 426	REMOTE CONTROLLER		1				1				XG16A
16	E22 Y60 426	REMOTE CONTROLLER			1				1			XG16C
16	E22 Y64 426	REMOTE CONTROLLER				1				1		XG16B

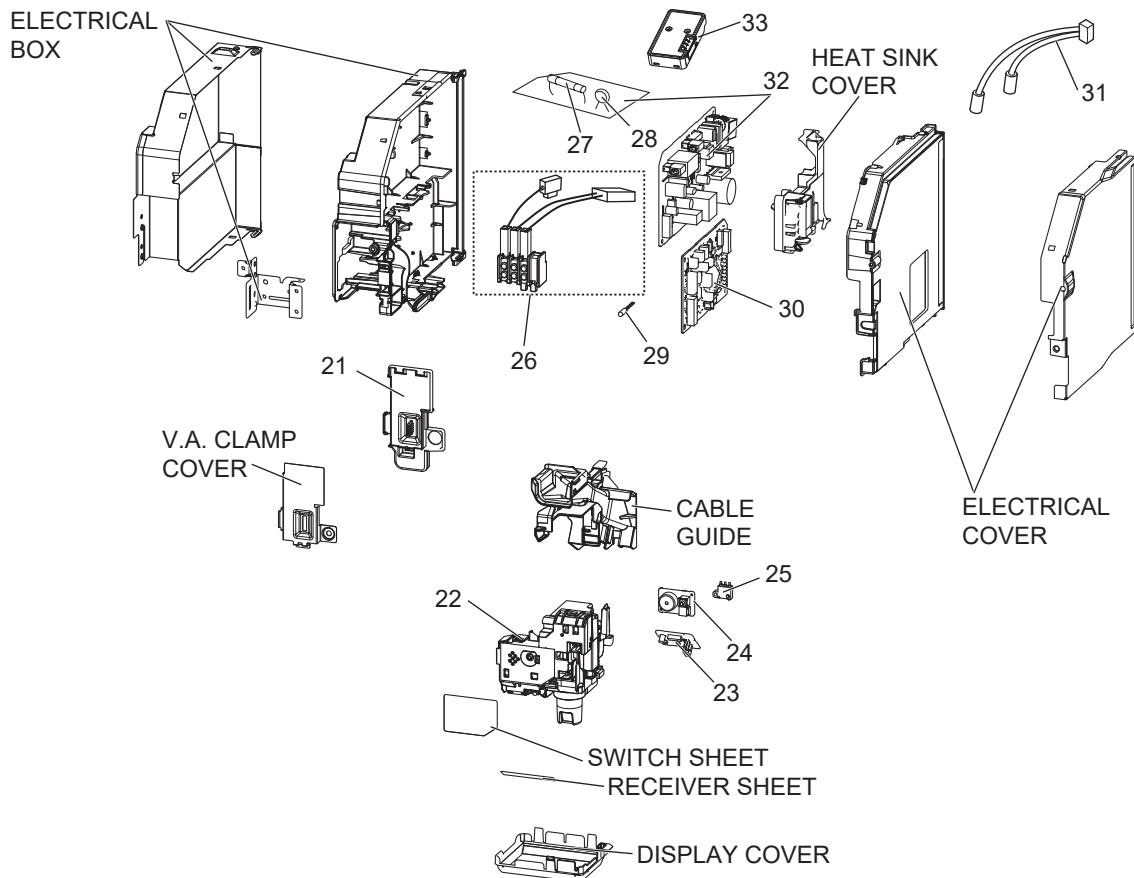
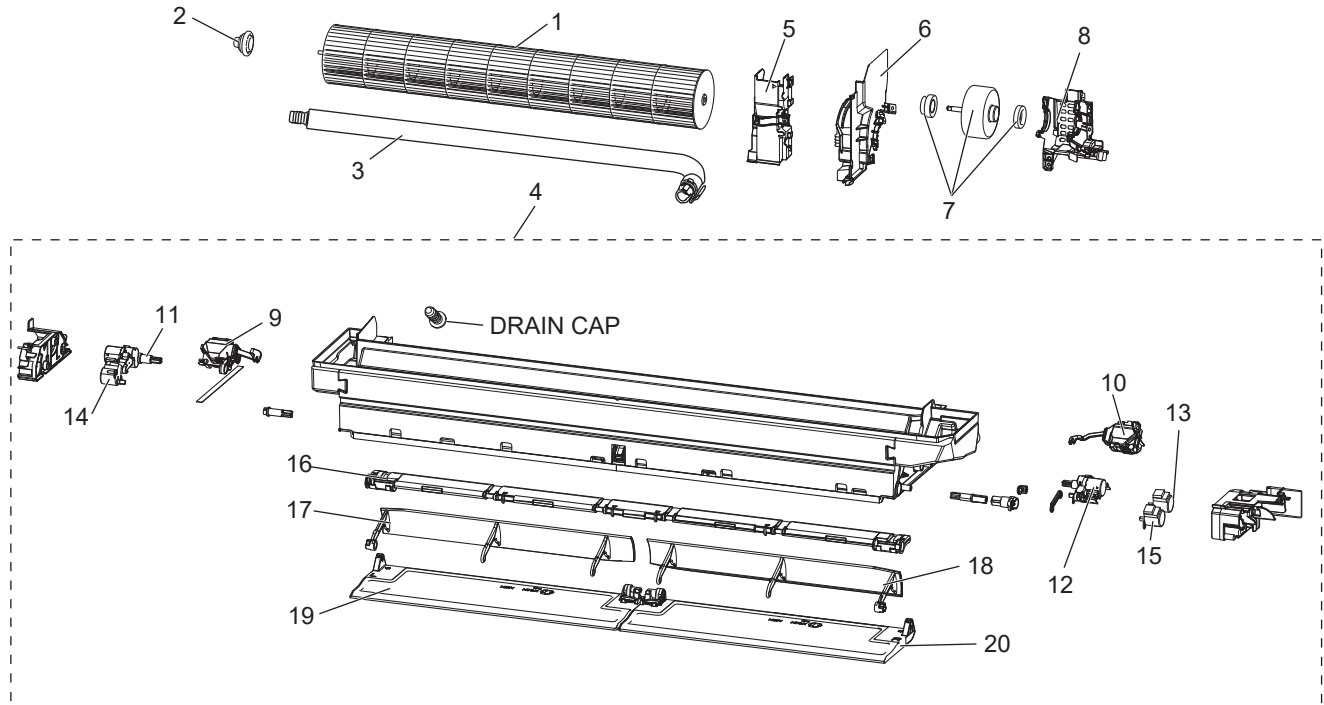
MSZ-LN50VGW - E1  
MSZ-LN60VGW - E1

MSZ-LN50VGV - E1  
MSZ-LN60VGV - E1

MSZ-LN50VGB - E1  
MSZ-LN60VGB - E1

MSZ-LN50VGR - E1  
MSZ-LN60VGR - E1

1-39. INDOOR UNIT ELECTRICAL PARTS AND FUNCTIONAL PARTS



## 1-39. INDOOR UNIT ELECTRICAL PARTS AND FUNCTIONAL PARTS

1. The part quantity below indicates the required number of pieces per unit.

No.	Part No.	Part name	MSZ-LN50VGW -[E1]	MSZ-LN50GV -[E1]	MSZ-LN50VGB -[E1]	MSZ-LN50VGR -[E1]	MSZ-LN60VGW -[E1]	MSZ-LN60GV -[E1]	MSZ-LN60VGB -[E1]	MSZ-LN60VGR -[E1]	Symbol in Wiring Diagram	Remarks
1	E22 Y52 302	LINE FLOW FAN	1	1	1	1	1	1	1	1		
2	E22 A89 509	BEARING MOUNT ASSEMBLY	1	1	1	1	1	1	1	1		Includes SLEEVE BEARING
3	E22 T20 702	DRAIN HOSE	1	1	1	1	1	1	1	1		
4	E22 Y52 235	NOZZLE ASSEMBLY	1	1			1	1				
4	E22 Y60 235	NOZZLE ASSEMBLY			1				1			
4	E22 Y64 235	NOZZLE ASSEMBLY				1				1		
5	E22 Y52 541	WATER COVER	1	1	1	1	1	1	1	1		
6	E22 Y52 333	MOTOR BAND	1	1	1	1	1	1	1	1		
7	E22 Y52 300	INDOOR FAN MOTOR	1	1	1	1	1	1	1	1	MF	RC0J30-□□
8	E22 20A 333	MOTOR BED	1	1	1	1	1	1	1	1		
9	E22 J44 303	VANE MOTOR (L) (VERTICAL)	1	1	1	1	1	1	1	1	MV2	(RIGHT & LEFT)
10	E22 J44 303	VANE MOTOR (R) (VERTICAL)	1	1	1	1	1	1	1	1	MV2	(RIGHT & LEFT)
11	E22 Y53 303	OUTER VANE MOTOR (L) (HORIZONTAL)	1	1	1	1	1	1	1	1	MV1	(UP & DOWN)
12	E22 Y54 303	OUTER VANE MOTOR (R) (HORIZONTAL)	1	1	1	1	1	1	1	1	MV1	(UP & DOWN)
13	E22 A89 303	VANE MOTOR (HORIZONTAL)	1	1	1	1	1	1	1	1	MV1	(UP & DOWN)
14	E22 A89 303	VANE MOTOR (L) (HORIZONTAL)	1	1	1	1	1	1	1	1	MV1	(UP & DOWN)
15	E22 A89 303	VANE MOTOR (R) (HORIZONTAL)	1	1	1	1	1	1	1	1	MV1	(UP & DOWN)
16	E22 Y52 046	VANE SLIDE ASSEMBLY	1	1			1	1				
16	E22 Y60 046	VANE SLIDE ASSEMBLY			1	1			1	1		
17	E22 Y53 040	INNER VANE (L)	1	1	1	1	1	1	1	1		
18	E22 Y52 040	INNER VANE (R)	1	1	1	1	1	1	1	1		
19	E22 Y53 041	OUTER VANE (L)	1	1			1	1				
19	E22 Y61 041	OUTER VANE (L)			1				1			
19	E22 Y65 041	OUTER VANE (L)				1				1		
20	E22 Y52 041	OUTER VANE (R)	1	1			1	1				
20	E22 Y60 041	OUTER VANE (R)			1				1			
20	E22 Y64 041	OUTER VANE (R)				1				1		
21	E22 Y52 784	V.A. CLAMP	1	1	1	1	1	1	1	1		
22	E22 Y52 391	DISPLAY AND i-see SENSOR ASSEMBLY	1	1			1	1			MT	
22	E22 Y60 391	DISPLAY AND i-see SENSOR ASSEMBLY			1	1			1	1	MT	
23	E22 Y52 468	DISPLAY AND RECEIVER P.C. BOARD	1	1	1	1	1	1	1	1		
24	E22 Y52 326	SWITCH BUZZER P.C. BOARD	1	1	1	1	1	1	1	1		
25	E22 Y52 316	INTER LOCK SWITCH (AIR PURIFYING DEVICE)	1	1	1	1	1	1	1	1		
26	E22 T21 375	TERMINAL BLOCK	1	1	1	1	1	1	1	1	TB	3P
27	E22 A49 382	FUSE	1	1	1	1	1	1	1	1	F11	T3.15AL250V
28	E22 B75 385	VARISTOR	1	1	1	1	1	1	1	1	NR11	
29	E22 Y52 308	ROOM TEMPERATURE THERMISTOR	1	1	1	1	1	1	1	1	RT11	
30	E22 26L 452	ELECTRONIC CONTROL P.C. BOARD	1	1	1	1						
30	E22 27L 452	ELECTRONIC CONTROL P.C. BOARD					1	1	1	1		
31	E22 Y54 307	INDOOR COIL THERMISTOR	1	1	1	1	1	1	1	1	RT12, RT13	
32	E22 Y54 440	POWER P.C. BOARD	1	1	1	1						
32	E22 Y55 440	POWER P.C. BOARD					1	1	1	1		
33	E22 Y52 457	Wi-Fi INTERFACE MAC-567IFB-E	1	1	1	1	1	1	1	1		MAC-567IFB-E

MSZ-LN50VGW - E1

MSZ-LN50VGV - E1

MSZ-LN50VGB - E1

MSZ-LN50VGR - E1

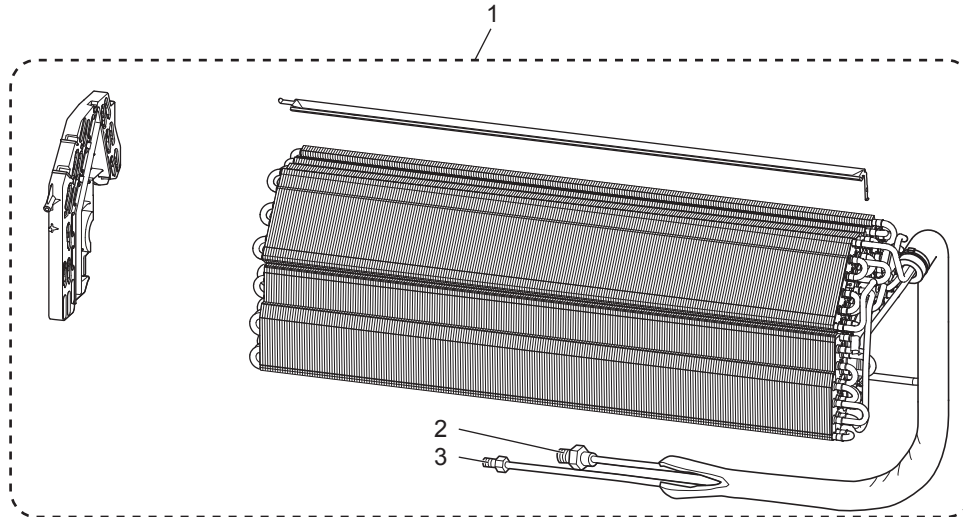
MSZ-LN60VGW - E1

MSZ-LN60VGV - E1

MSZ-LN60VGB - E1

MSZ-LN60VGR - E1

1-40. INDOOR UNIT HEAT EXCHANGER



## 1-40. INDOOR UNIT HEAT EXCHANGER

1. The part quantity below indicates the required number of pieces per unit.

No.	Part No.	Part name	MSZ-LN50VGW - [E1]	MSZ-LN50GV - [E1]	MSZ-LN50VGB - [E1]	MSZ-LN50VGR - [E1]	MSZ-LN60VGW - [E1]	MSZ-LN60GV - [E1]	MSZ-LN60VGB - [E1]	MSZ-LN60VGR - [E1]	Symbol in Wiring Diagram	Remarks
1	E22 Y54 620	INDOOR HEAT EXCHANGER	1	1	1	1						
1	E22 Y55 620	INDOOR HEAT EXCHANGER					1	1	1	1		
2	E22 815 666	UNION (GAS)	1	1	1	1						ø9.52
2	E22 155 666	UNION (GAS)					1	1	1	1		ø12.7
3	E22 151 667	UNION (LIQUID)	1	1	1	1	1	1	1	1		ø6.35

MSZ-LN50VGW - [ER1]

MSZ-LN50VGV - [ER1]

MSZ-LN50VGB - [ER1]

MSZ-LN50VGR - [ER1]

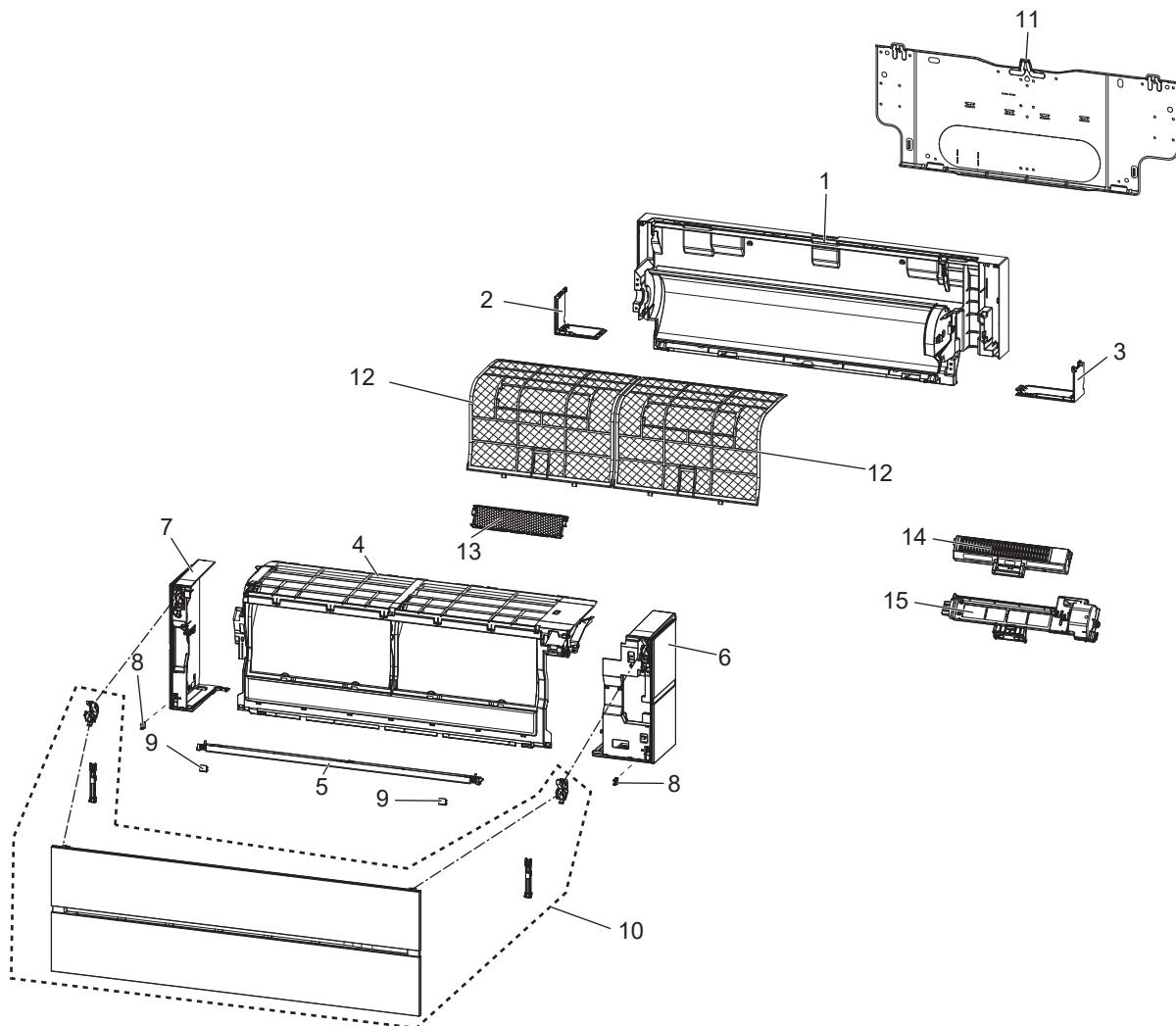
MSZ-LN60VGW - [ER1]

MSZ-LN60VGV - [ER1]

MSZ-LN60VGB - [ER1]

MSZ-LN60VGR - [ER1]

### 1-41. INDOOR UNIT STRUCTURAL PARTS



### 1-42. ACCESSORY AND REMOTE CONTROLLER



## 1-41. INDOOR UNIT STRUCTURAL PARTS

1. The part quantity below indicates the required number of pieces per unit.

No.	Part No.	Part name	MSZ-LN50VGW - ERT	MSZ-LN50GV - ERT	MSZ-LN50VGB - ERT	MSZ-LN50VGR - ERT	MSZ-LN60VGW - ERT	MSZ-LN60GV - ERT	MSZ-LN60VGB - ERT	MSZ-LN60VGR - ERT	Symbol in Wiring Diagram	Remarks
1	E22 Y52 234	BOX ASSEMBLY	1	1			1	1				
1	E22 Y60 234	BOX ASSEMBLY			1	1			1	1		
2	E22 Y52 976	CORNER BOX (L)	1	1			1	1				
2	E22 Y60 976	CORNER BOX (L)			1	1			1	1		
3	E22 Y52 975	CORNER BOX (R)	1	1			1	1				
3	E22 Y60 975	CORNER BOX (R)			1	1			1	1		
4	E22 Y52 000	PANEL ASSEMBLY (F)	1	1			1	1				
4	E22 Y60 000	PANEL ASSEMBLY (F)			1	1			1	1		
5	E22 Y52 717	PANEL (U)	1	1			1	1				
5	E22 Y60 717	PANEL (U)			1				1			
5	E22 Y64 717	PANEL (U)				1				1		
6	E22 Y52 085	PANEL ASSEMBLY (R)	1				1					
6	E22 Y56 085	PANEL ASSEMBLY (R)		1				1				
6	E22 Y60 085	PANEL ASSEMBLY (R)			1				1			
6	E22 Y64 085	PANEL ASSEMBLY (R)				1				1		
7	E22 Y52 086	PANEL ASSEMBLY (L)	1				1					
7	E22 Y56 086	PANEL ASSEMBLY (L)		1				1				
7	E22 Y60 086	PANEL ASSEMBLY (L)			1				1			
7	E22 Y64 086	PANEL ASSEMBLY (L)				1				1		
8	E22 F95 142	CATCH	2	2	2	2	2	2	2	2		2 PCS/SET
9	E22 Y52 067	SCREW CAP	2	2			2	2				
9	E22 Y60 067	SCREW CAP			2				2			
9	E22 Y64 067	SCREW CAP				2				2		
10	E22 Y52 010	FRONT PANEL	1				1					
10	E22 Y56 010	FRONT PANEL		1				1				
10	E22 Y60 010	FRONT PANEL			1				1			
10	E22 Y64 010	FRONT PANEL				1				1		
11	E22 Y52 970	INSTALLATION PLATE	1	1	1	1	1	1	1	1		
12	E22 Y52 100	AIR FILTER	2	2	2		2	2	2			1 PC/SET
12	E22 Y64 100	AIR FILTER				2				2		1 PC/SET
13	—	AIR CLEANING FILTER (DEODORIZING FILTER)	1	1	1	1	1	1	1	1		1 PC/SET MAC-3010FT-E
14	E22 Y52 774	AIR PURIFYING DEVICE	1	1	1	1	1	1	1	1		
15	E22 Y52 775	AIR PURIFYING DEVICE SUPPORT	1	1	1	1	1	1	1	1		

## 1-42. ACCESSORY AND REMOTE CONTROLLER

1. The part quantity below indicates the required number of pieces per unit.

No.	Part No.	Part name	MSZ-LN50VGW - ERT	MSZ-LN50GV - ERT	MSZ-LN50VGB - ERT	MSZ-LN50VGR - ERT	MSZ-LN60VGW - ERT	MSZ-LN60GV - ERT	MSZ-LN60VGB - ERT	MSZ-LN60VGR - ERT	Symbol in Wiring Diagram	Remarks
16	E22 Y52 426	REMOTE CONTROLLER	1				1					SG16L
16	E22 Y56 426	REMOTE CONTROLLER		1				1				XG16A
16	E22 Y60 426	REMOTE CONTROLLER			1				1			XG16C
16	E22 Y64 426	REMOTE CONTROLLER				1				1		XG16B

MSZ-LN50VGW-ER1

MSZ-LN50VGV-ER1

MSZ-LN50VGB-ER1

MSZ-LN50VGR-ER1

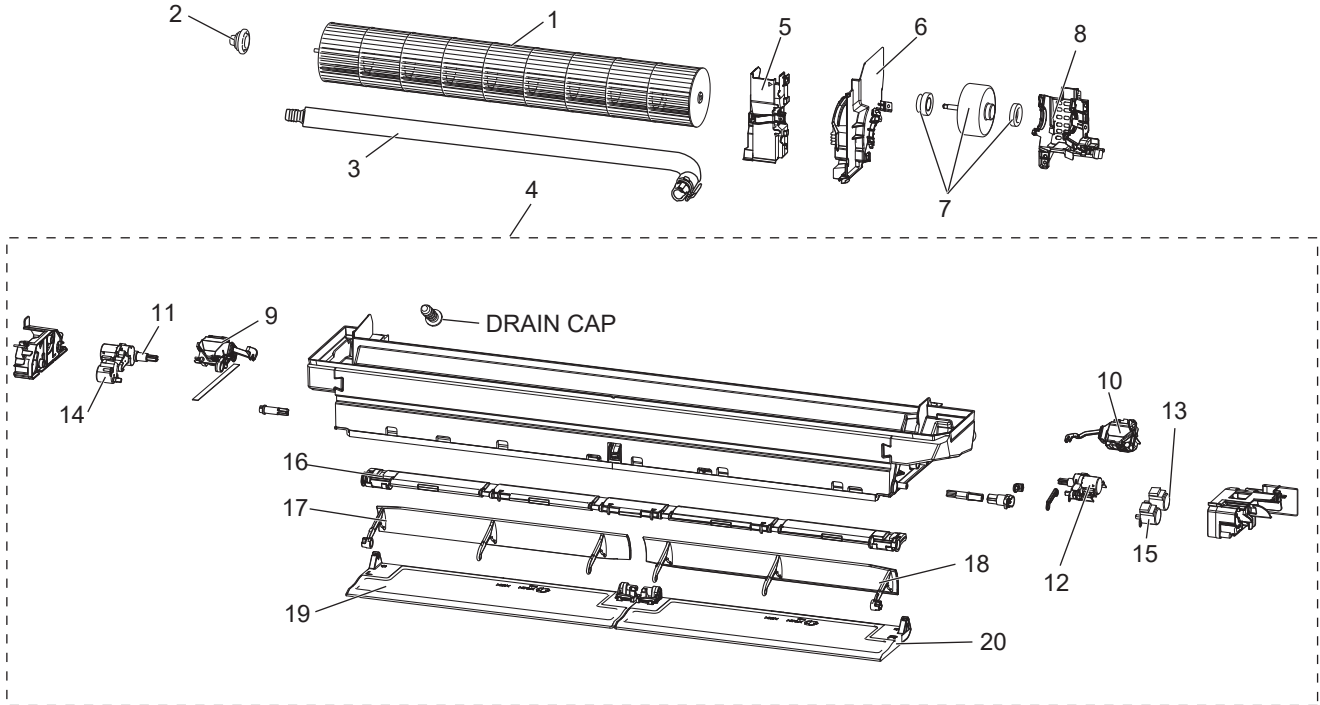
MSZ-LN60VGW-ER1

MSZ-LN60VGV-ER1

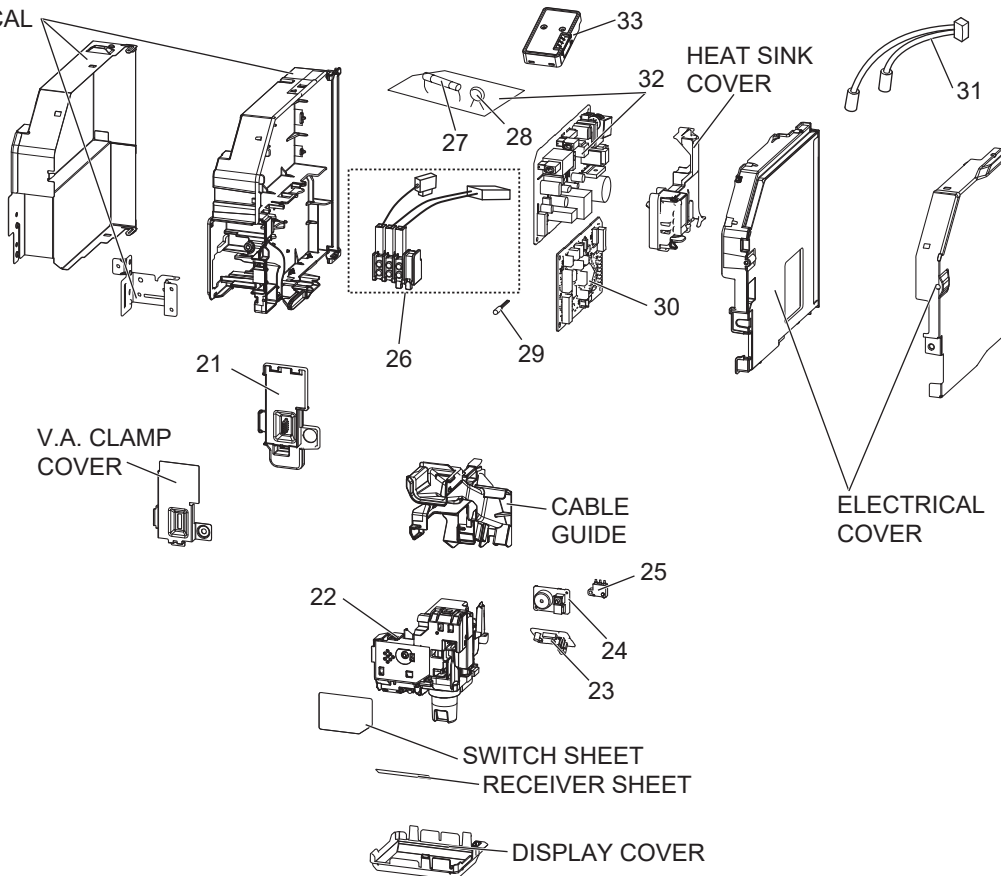
MSZ-LN60VGB-ER1

MSZ-LN60VGR-ER1

### 1-43. INDOOR UNIT ELECTRICAL PARTS AND FUNCTIONAL PARTS



ELECTRICAL BOX





### 1-43. INDOOR UNIT ELECTRICAL PARTS AND FUNCTIONAL PARTS

1. The part quantity below indicates the required number of pieces per unit.

No.	Part No.	Part name	MSZ-LN50VGW- <sup>ERT</sup>	MSZ-LN50GV- <sup>ERT</sup>	MSZ-LN50VGB- <sup>ERT</sup>	MSZ-LN50VGR- <sup>ERT</sup>	MSZ-LN60VGW- <sup>ERT</sup>	MSZ-LN60GV- <sup>ERT</sup>	MSZ-LN60VGB- <sup>ERT</sup>	MSZ-LN60VGR- <sup>ERT</sup>	Symbol in Wiring Diagram	Remarks
1	E22 Y52 302	LINE FLOW FAN	1	1	1	1	1	1	1	1		
2	E22 A89 509	BEARING MOUNT ASSEMBLY	1	1	1	1	1	1	1	1		Includes SLEEVE BEARING
3	E22 T20 702	DRAIN HOSE	1	1	1	1	1	1	1	1		
4	E22 Y52 235	NOZZLE ASSEMBLY	1	1			1	1				
4	E22 Y60 235	NOZZLE ASSEMBLY			1				1			
4	E22 Y64 235	NOZZLE ASSEMBLY				1				1		
5	E22 Y52 541	WATER COVER	1	1	1	1	1	1	1	1		
6	E22 Y52 333	MOTOR BAND	1	1	1	1	1	1	1	1		
7	E22 Y52 300	INDOOR FAN MOTOR	1	1	1	1	1	1	1	1	MF	RC0J30-□□
8	E22 20A 333	MOTOR BED	1	1	1	1	1	1	1	1		
9	E22 J44 303	VANE MOTOR (L) (VERTICAL)	1	1	1	1	1	1	1	1	MV2	(RIGHT & LEFT)
10	E22 J44 303	VANE MOTOR (R) (VERTICAL)	1	1	1	1	1	1	1	1	MV2	(RIGHT & LEFT)
11	E22 Y53 303	OUTER VANE MOTOR (L) (HORIZONTAL)	1	1	1	1	1	1	1	1	MV1	(UP & DOWN)
12	E22 Y54 303	OUTER VANE MOTOR (R) (HORIZONTAL)	1	1	1	1	1	1	1	1	MV1	(UP & DOWN)
13	E22 A89 303	VANE MOTOR (HORIZONTAL)	1	1	1	1	1	1	1	1	MV1	(UP & DOWN)
14	E22 A89 303	VANE MOTOR (L) (HORIZONTAL)	1	1	1	1	1	1	1	1	MV1	(UP & DOWN)
15	E22 A89 303	VANE MOTOR (R) (HORIZONTAL)	1	1	1	1	1	1	1	1	MV1	(UP & DOWN)
16	E22 Y52 046	VANE SLIDE ASSEMBLY	1	1			1	1				
16	E22 Y60 046	VANE SLIDE ASSEMBLY			1	1			1	1		
17	E22 Y53 040	INNER VANE (L)	1	1	1	1	1	1	1	1		
18	E22 Y52 040	INNER VANE (R)	1	1	1	1	1	1	1	1		
19	E22 Y53 041	OUTER VANE (L)	1	1			1	1				
19	E22 Y61 041	OUTER VANE (L)			1				1			
19	E22 Y65 041	OUTER VANE (L)				1				1		
20	E22 Y52 041	OUTER VANE (R)	1	1			1	1				
20	E22 Y60 041	OUTER VANE (R)			1				1			
20	E22 Y64 041	OUTER VANE (R)				1				1		
21	E22 Y52 784	V.A. CLAMP	1	1	1	1	1	1	1	1		
22	E22 Y52 391	DISPLAY AND i-see SENSOR ASSEMBLY	1	1			1	1			MT	
22	E22 Y60 391	DISPLAY AND i-see SENSOR ASSEMBLY			1	1			1	1	MT	
23	E22 Y52 468	DISPLAY AND RECEIVER P.C. BOARD	1	1	1	1	1	1	1	1		
24	E22 Y52 326	SWITCH BUZZER P.C. BOARD	1	1	1	1	1	1	1	1		
25	E22 Y52 316	INTER LOCK SWITCH (AIR PURIFYING DEVICE)	1	1	1	1	1	1	1	1		
26	E22 T21 375	TERMINAL BLOCK	1	1	1	1	1	1	1	1	TB	3P
27	E22 A49 382	FUSE	1	1	1	1	1	1	1	1	F11	T3.15AL250V
28	E22 B75 385	VARISTOR	1	1	1	1	1	1	1	1	NR11	
29	E22 Y52 308	ROOM TEMPERATURE THERMISTOR	1	1	1	1	1	1	1	1	RT11	
30	E22 26L 452	ELECTRONIC CONTROL P.C. BOARD	1	1	1	1						
30	E22 27L 452	ELECTRONIC CONTROL P.C. BOARD					1	1	1	1		
31	E22 Y54 307	INDOOR COIL THERMISTOR	1	1	1	1	1	1	1	1	RT12, RT13	
32	E22 Y54 440	POWER P.C. BOARD	1	1	1	1						
32	E22 Y55 440	POWER P.C. BOARD					1	1	1	1		
33	E22 Y52 457	Wi-Fi INTERFACE MAC-567IFB-E	1	1	1	1	1	1	1	1		MAC-567IFB-E

MSZ-LN50VGW - [ER1]

MSZ-LN50VGV - [ER1]

MSZ-LN50VGB - [ER1]

MSZ-LN50VGR - [ER1]

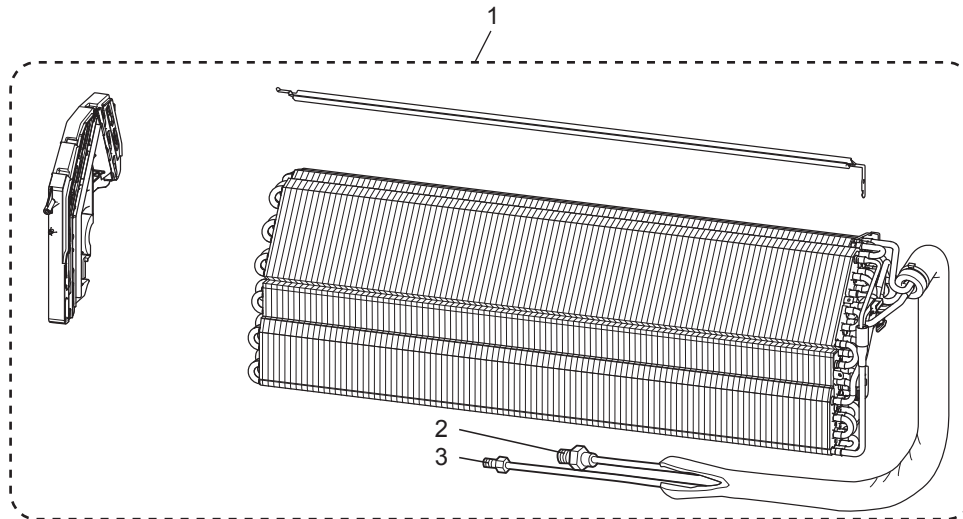
MSZ-LN60VGW - [ER1]

MSZ-LN60VGV - [ER1]

MSZ-LN60VGB - [ER1]

MSZ-LN60VGR - [ER1]

1-44. INDOOR UNIT HEAT EXCHANGER





### 1-44. INDOOR UNIT HEAT EXCHANGER

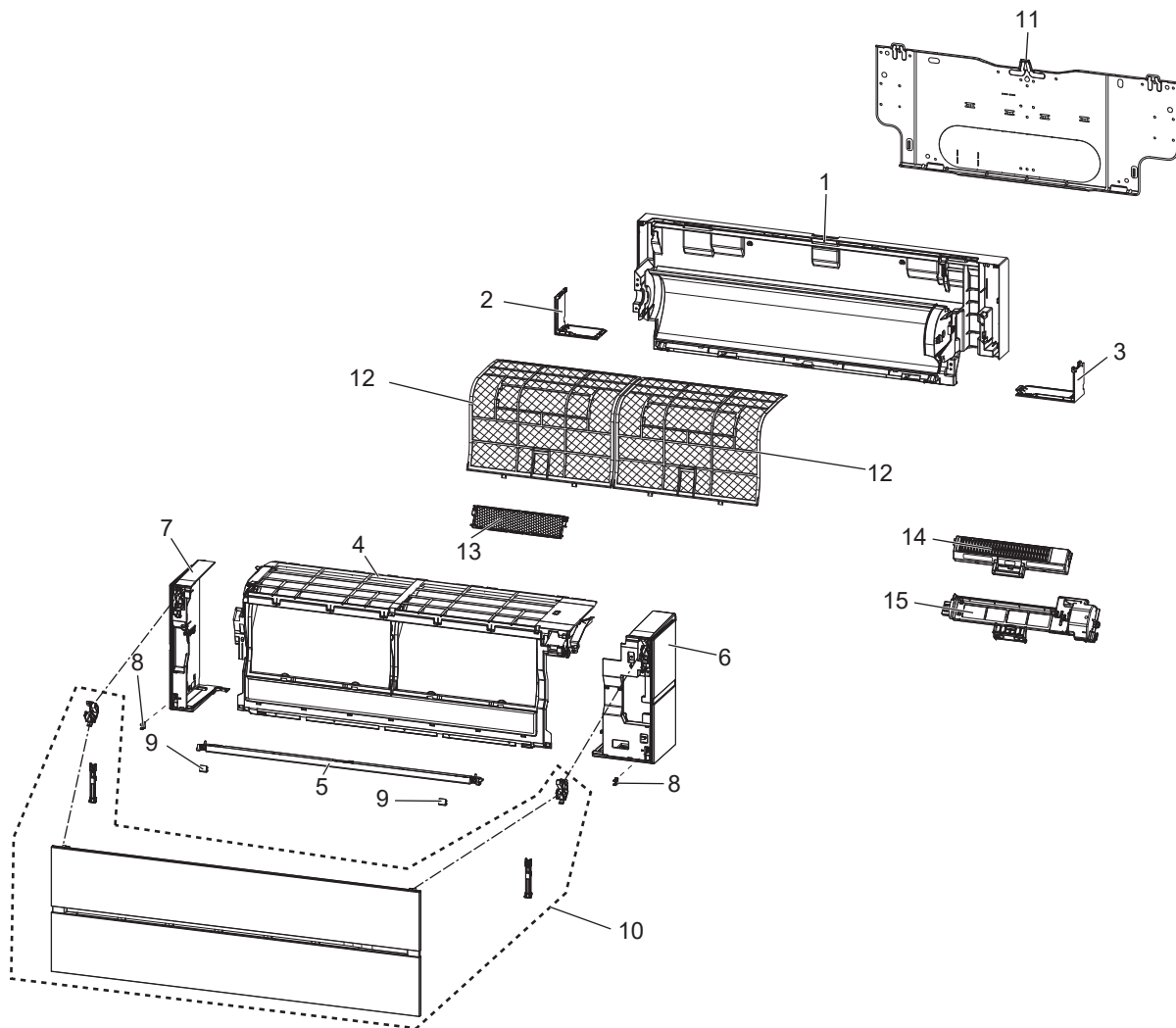
1. The part quantity below indicates the required number of pieces per unit.

No.	Part No.	Part name	MSZ-LN50VGW - [ER1]	MSZ-LN50GV - [ER1]	MSZ-LN50VGB - [ER1]	MSZ-LN50VGR - [ER1]	MSZ-LN60VGW - [ER1]	MSZ-LN60GV - [ER1]	MSZ-LN60VGB - [ER1]	MSZ-LN60VGR - [ER1]	Symbol in Wiring Diagram	Remarks
1	E22 Y54 620	INDOOR HEAT EXCHANGER	1	1	1	1						
1	E22 Y55 620	INDOOR HEAT EXCHANGER					1	1	1	1		
2	E22 815 666	UNION (GAS)	1	1	1	1						ø9.52
2	E22 155 666	UNION (GAS)					1	1	1	1		ø12.7
3	E22 151 667	UNION (LIQUID)	1	1	1	1	1	1	1	1		ø6.35

MSZ-LN50VG2W - [E1], [ER1], [EN1], [ET1] MSZ-LN50VG2V - [E1], [ER1], [EN1], [ET1]

MSZ-LN50VG2B - [E1], [ER1], [EN1], [ET1] MSZ-LN50VG2R - [E1], [ER1], [EN1], [ET1]

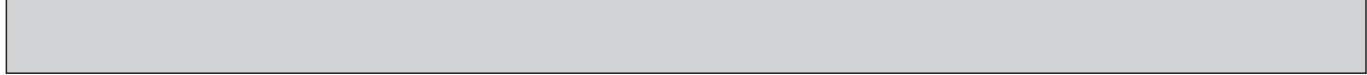
### 1-45. INDOOR UNIT STRUCTURAL PARTS



## 1-45. INDOOR UNIT STRUCTURAL PARTS

1. The part quantity below indicates the required number of pieces per unit.

No.	Part No.	Part name	MSZ-LN50VG2W-ET	MSZ-LN50VG2V-ET	MSZ-LN50VG2B-ET	MSZ-LN50VG2R-ET	MSZ-LN50VG2W-ER	MSZ-LN50VG2V-ER	MSZ-LN50VG2B-ER	MSZ-LN50VG2R-ER	MSZ-LN50VG2W-ET1	MSZ-LN50VG2V-ET1	MSZ-LN50VG2B-ET1	MSZ-LN50VG2R-ET1	MSZ-LN50VG2W-ER1	MSZ-LN50VG2V-ER1	MSZ-LN50VG2B-ER1	MSZ-LN50VG2R-ER1	Symbol in Wiring Diagram	Remarks	
1	E22 Y52 234	BOX ASSEMBLY	1	1			1	1			1	1			1	1					
1	E22 Y60 234	BOX ASSEMBLY			1	1			1	1			1	1			1	1			
2	E22 Y52 976	CORNER BOX (L)	1	1			1	1			1	1			1	1					
2	E22 Y60 976	CORNER BOX (L)			1	1			1	1			1	1			1	1			
3	E22 Y52 975	CORNER BOX (R)	1	1			1	1			1	1			1	1					
3	E22 Y60 975	CORNER BOX (R)			1	1			1	1			1	1			1	1			
4	E22 Y52 000	PANEL ASSEMBLY (F)	1	1			1	1			1	1			1	1					
4	E22 Y60 000	PANEL ASSEMBLY (F)			1	1			1	1			1	1			1	1			
5	E22 Y52 717	PANEL (U)	1	1			1	1			1	1			1	1					
5	E22 Y60 717	PANEL (U)			1				1				1				1				
5	E22 Y64 717	PANEL (U)				1				1				1				1			
6	E22 Y52 085	PANEL ASSEMBLY (R)	1				1				1			1			1				
6	E22 Y56 085	PANEL ASSEMBLY (R)		1				1				1					1				
6	E22 Y60 085	PANEL ASSEMBLY (R)			1				1				1					1			
6	E22 Y64 085	PANEL ASSEMBLY (R)				1				1				1					1		
7	E22 Y52 086	PANEL ASSEMBLY (L)	1				1				1			1					1		
7	E22 Y56 086	PANEL ASSEMBLY (L)		1				1				1							1		
7	E22 Y60 086	PANEL ASSEMBLY (L)			1				1				1						1		
7	E22 Y64 086	PANEL ASSEMBLY (L)				1				1				1					1		
8	E22 F95 142	CATCH	2	2	2	2	2	2	2	2	2	2	2	2	2	2	2	2	2	2	2 PCS/SET
9	E22 Y52 067	SCREW CAP	2	2			2	2			2	2			2	2					
9	E22 Y60 067	SCREW CAP			2				2				2					2			
9	E22 Y64 067	SCREW CAP				2				2				2					2		
10	E22 Y52 010	FRONT PANEL	1				1				1			1							
10	E22 Y56 010	FRONT PANEL		1				1				1							1		
10	E22 Y60 010	FRONT PANEL			1				1				1						1		
10	E22 Y64 010	FRONT PANEL				1				1				1					1		
11	E22 Y52 970	INSTALLATION PLATE	1	1	1	1	1	1	1	1	1	1	1	1	1	1	1	1	1	1	
12	E22 Y52 100	AIR FILTER	2	2	2		2	2	2		2	2	2	2	2	2	2	2	2	2	1 PC/SET
12	E22 Y64 100	AIR FILTER				2				2				2					2		1 PC/SET
13	—	AIR CLEANING FILTER (DEODORIZING FILTER)	1	1	1	1	1	1	1	1	1	1	1	1	1	1	1	1	1	1	1 PC/SET MAC-3010FT-E
14	E22 Y52 774	AIR PURIFYING DEVICE	1	1	1	1	1	1	1	1	1	1	1	1	1	1	1	1	1	1	
15	E22 Y52 775	AIR PURIFYING DEVICE SUPPORT	1	1	1	1	1	1	1	1	1	1	1	1	1	1	1	1	1	1	



**MSZ-LN50VG2W** -  E1,  ER1,  EN1,  ET1    **MSZ-LN50VG2V** -  E1,  ER1,  EN1,  ET1  
**MSZ-LN50VG2B** -  E1,  ER1,  EN1,  ET1    **MSZ-LN50VG2R** -  E1,  ER1,  EN1,  ET1

**1-46. ACCESSORY AND REMOTE CONTROLLER**



## 1-46. ACCESSORY AND REMOTE CONTROLLER

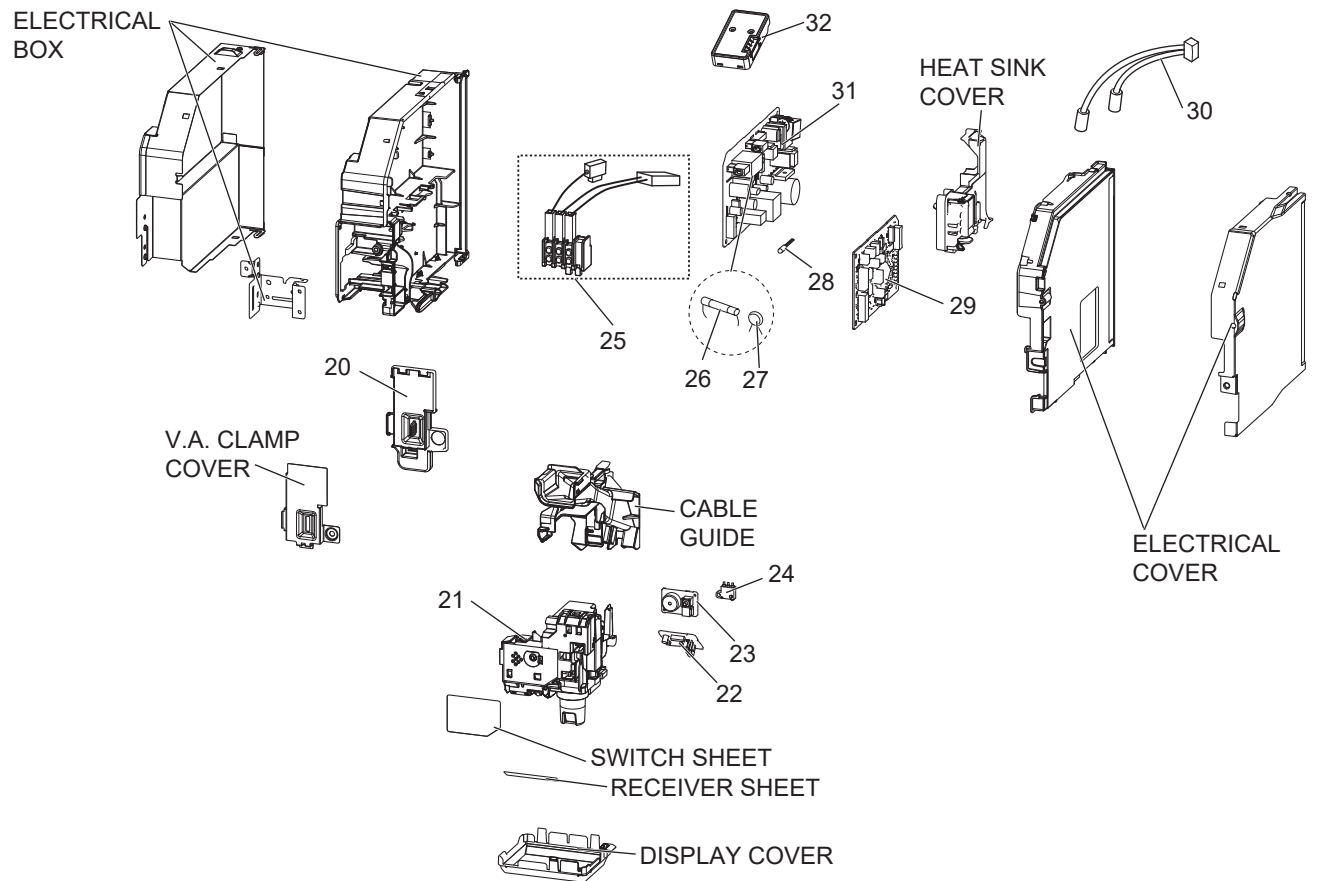
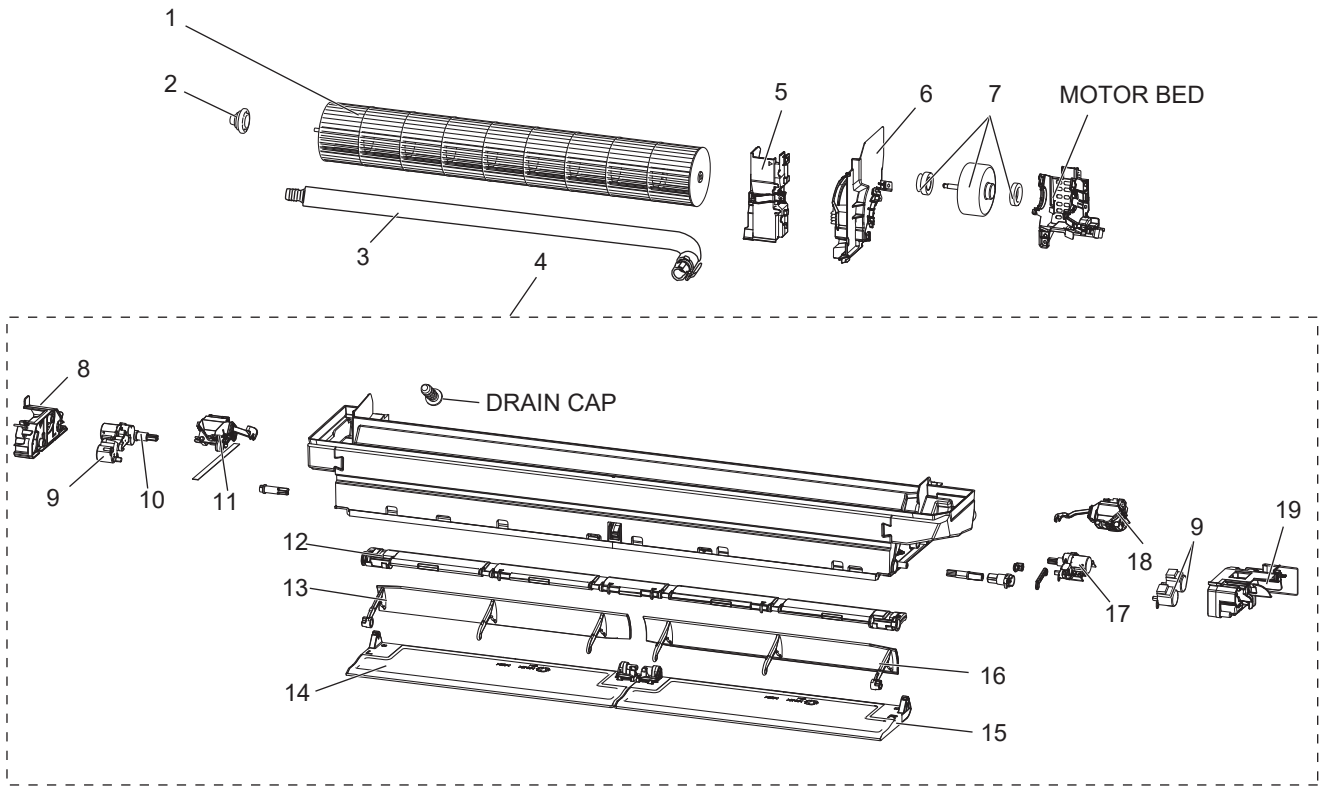
1. The part quantity below indicates the required number of pieces per unit.

No.	Part No.	Part name	MSZ-LN50VG2W - E1	MSZ-LN50VG2V - E1	MSZ-LN50VG2B - E1	MSZ-LN50VG2R - E1	MSZ-LN50VG2W - ER1	MSZ-LN50VG2V - ER1	MSZ-LN50VG2B - ER1	MSZ-LN50VG2R - ER1	MSZ-LN50VG2W - ET1	MSZ-LN50VG2V - ET1	MSZ-LN50VG2B - ET1	MSZ-LN50VG2R - ET1	MSZ-LN50VG2W - EN1	MSZ-LN50VG2V - EN1	MSZ-LN50VG2B - EN1	MSZ-LN50VG2R - EN1	Symbol in Wiring Diagram	Remarks
1	E22 65J 426	REMOTE CONTROLLER	1								1									SG19N
1	E22 66J 426	REMOTE CONTROLLER		1								1								XG19D
1	E22 67J 426	REMOTE CONTROLLER			1								1							XG19F
1	E22 68J 426	REMOTE CONTROLLER				1								1						XG19E
1	E22 91P 426	REMOTE CONTROLLER					1													SG19N
1	E22 92P 426	REMOTE CONTROLLER						1												XG19D
1	E22 93P 426	REMOTE CONTROLLER							1											XG19F
1	E22 94P 426	REMOTE CONTROLLER								1										XG19E
1	E22 81J 426	REMOTE CONTROLLER												1						SG19L
1	E22 82J 426	REMOTE CONTROLLER													1					XG19A
1	E22 83J 426	REMOTE CONTROLLER														1				XG19C
1	E22 84J 426	REMOTE CONTROLLER															1			XG19B

MSZ-LN50VG2W - [E1], [ER1], [EN1], [ET1] MSZ-LN50VG2V - [E1], [ER1], [EN1], [ET1]

MSZ-LN50VG2B - [E1], [ER1], [EN1], [ET1] MSZ-LN50VG2R - [E1], [ER1], [EN1], [ET1]

1-47. INDOOR UNIT ELECTRICAL PARTS AND FUNCTIONAL PARTS



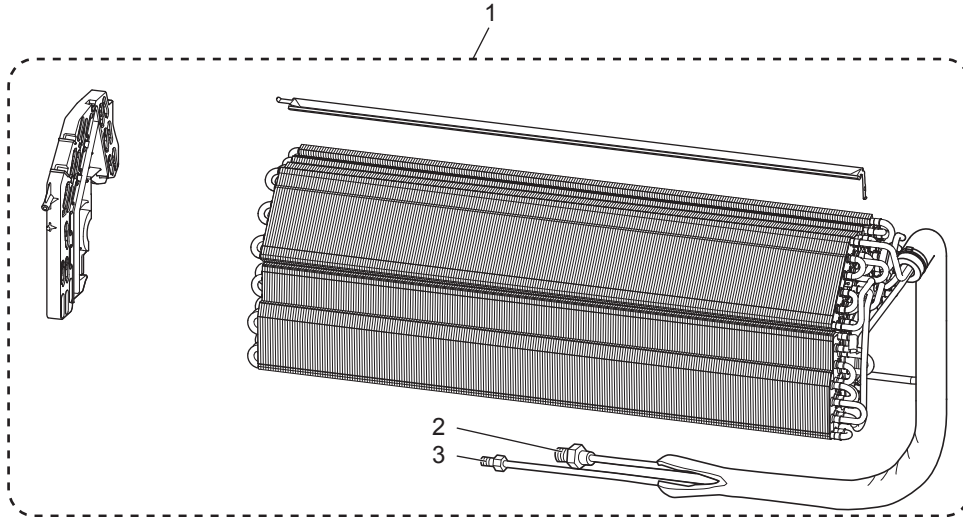


## 1-47. INDOOR UNIT ELECTRICAL PARTS AND FUNCTIONAL PARTS

1. The part quantity below indicates the required number of pieces per unit.

No.	Part No.	Part name	MSZ-LN50VG2W-ET	MSZ-LN50VG2V-ET	MSZ-LN50VG2B-ET	MSZ-LN50VG2R-ET	MSZ-LN50VG2W-ERI	MSZ-LN50VG2V-ERI	MSZ-LN50VG2B-ERI	MSZ-LN50VG2R-ERI	MSZ-LN50VG2W-ET1	MSZ-LN50VG2V-ET1	MSZ-LN50VG2B-ET1	MSZ-LN50VG2R-ET1	MSZ-LN50VG2W-EN1	MSZ-LN50VG2V-EN1	MSZ-LN50VG2B-EN1	MSZ-LN50VG2R-EN1	Symbol in Wiring Diagram	Remarks
			1	1	1	1	1	1	1	1	1	1	1	1	1	1	1	1		
1	E22 Y52 302	LINE FLOW FAN	1	1	1	1	1	1	1	1	1	1	1	1	1	1	1	1		
2	E22 A89 509	BEARING MOUNT ASSEMBLY	1	1	1	1	1	1	1	1	1	1	1	1	1	1	1	1		
3	E22 T20 702	DRAIN HOSE	1	1	1	1	1	1	1	1	1	1	1	1						
3	E22 81J 702	DRAIN HOSE													1	1	1	1		
4	E22 Y52 235	NOZZLE ASSEMBLY	1	1			1	1			1	1			1	1				
4	E22 Y60 235	NOZZLE ASSEMBLY			1				1				1				1			
4	E22 Y64 235	NOZZLE ASSEMBLY				1				1				1				1		
5	E22 Y52 541	WATER COVER	1	1	1	1	1	1	1	1	1	1	1	1	1	1	1	1		
6	E22 Y52 333	MOTOR BAND	1	1	1	1	1	1	1	1	1	1	1	1	1	1	1	1		
7	E22 Y52 300	INDOOR FAN MOTOR	1	1	1	1	1	1	1	1	1	1	1	1	1	1	1	1	MF	RC0J30-□□
8	E22 65J 303	VANE MOTOR UNIT (L) (VERTICAL)	1	1	1	1	1	1	1	1	1	1	1	1	1	1	1	1	MV2	(RIGHT & LEFT)
9	E22 A89 303	VANE MOTOR (HORIZONTAL)	3	3	3	3	3	3	3	3	3	3	3	3	3	3	3	3	MV1	(UP & DOWN)
10	E22 Y53 303	OUTER VANE MOTOR (L) (HORIZONTAL)	1	1	1	1	1	1	1	1	1	1	1	1	1	1	1	1	MV1	(UP & DOWN)
11	E22 67J 303	VANE MOTOR (L) (VERTICAL)	1	1	1	1	1	1	1	1	1	1	1	1	1	1	1	1	MV2	(RIGHT & LEFT)
12	E22 Y52 046	VANE SLIDE ASSEMBLY	1	1			1	1			1	1			1	1				
12	E22 Y60 046	VANE SLIDE ASSEMBLY			1	1			1	1			1	1			1	1		
13	E22 Y53 040	INNER VANE (L)	1	1	1	1	1	1	1	1	1	1	1	1	1	1	1	1		
14	E22 Y53 041	OUTER VANE (L)	1	1			1	1			1	1			1	1				
14	E22 Y61 041	OUTER VANE (L)			1				1					1			1			
14	E22 Y65 041	OUTER VANE (L)				1				1				1				1		
15	E22 Y52 041	OUTER VANE (R)	1	1			1	1			1	1			1	1				
15	E22 Y60 041	OUTER VANE (R)			1				1				1				1			
15	E22 Y64 041	OUTER VANE (R)				1				1				1				1		
16	E22 Y52 040	INNER VANE (R)	1	1	1	1	1	1	1	1	1	1	1	1	1	1	1	1		
17	E22 Y54 303	OUTER VANE MOTOR (R) (HORIZONTAL)	1	1	1	1	1	1	1	1	1	1	1	1	1	1	1	1	MV1	(UP & DOWN)
18	E22 J44 303	VANE MOTOR (R) (VERTICAL)	1	1	1	1	1	1	1	1	1	1	1	1	1	1	1	1	MV2	(RIGHT & LEFT)
19	E22 66J 303	VANE MOTOR UNIT (R) (VERTICAL)	1	1	1	1	1	1	1	1	1	1	1	1	1	1	1	1	MV2	(RIGHT & LEFT)
20	E22 Y52 784	V.A. CLAMP	1	1	1	1	1	1	1	1	1	1	1	1	1	1	1	1		
21	E22 Y52 391	DISPLAY AND i-see SENSOR ASSEMBLY	1	1			1	1			1	1			1	1			MT	
21	E22 Y60 391	DISPLAY AND i-see SENSOR ASSEMBLY			1	1			1	1			1	1			1	1	MT	
22	E22 Y52 468	DISPLAY AND RECEIVER P.C. BOARD	1	1	1	1	1	1	1	1	1	1	1	1	1	1	1	1		
23	E22 Y52 326	SWITCH BUZZER P.C. BOARD	1	1	1	1	1	1	1	1	1	1	1	1	1	1	1	1		
24	E22 Y52 316	INTER LOCK SWITCH (AIR PURIFYING DEVICE)	1	1	1	1	1	1	1	1	1	1	1	1	1	1	1	1		
25	E22 T21 375	TERMINAL BLOCK	1	1	1	1	1	1	1	1	1	1	1	1	1	1	1	1	TB	3P
26	E22 A49 382	FUSE	1	1	1	1	1	1	1	1	1	1	1	1	1	1	1	1	F11	T3.15AL250V
27	E22 B75 385	VARISTOR	1	1	1	1	1	1	1	1	1	1	1	1	1	1	1	1	NR11	
28	E22 Y52 308	ROOM TEMPERATURE THERMISTOR	1	1	1	1	1	1	1	1	1	1	1	1	1	1	1	1	RT11	
29	E22 77J 452	ELECTRONIC CONTROL P.C. BOARD	1	1	1	1	1	1	1	1	1	1	1	1						
29	E22 93J 452	ELECTRONIC CONTROL P.C. BOARD													1	1	1	1		
30	E22 Y54 307	INDOOR COIL THERMISTOR	1	1	1	1	1	1	1	1	1	1	1	1	1	1	1	1	RT12, RT13	
31	E22 Y54 440	POWER P.C. BOARD	1	1	1	1	1	1	1	1	1	1	1	1	1	1	1	1		
32	E22 Y52 457	Wi-Fi INTERFACE MAC-567IFB-E	1	1	1	1	1	1	1	1	1	1	1	1	1	1	1	1		MAC-567IFB-E

**MSZ-LN50VG2W** - [E1], [ER1], [EN1], [ET1]    **MSZ-LN50VG2V** - [E1], [ER1], [EN1], [ET1]  
**MSZ-LN50VG2B** - [E1], [ER1], [EN1], [ET1]    **MSZ-LN50VG2R** - [E1], [ER1], [EN1], [ET1]  
**1-48. INDOOR UNIT HEAT EXCHANGER**



## 1-48. INDOOR UNIT HEAT EXCHANGER

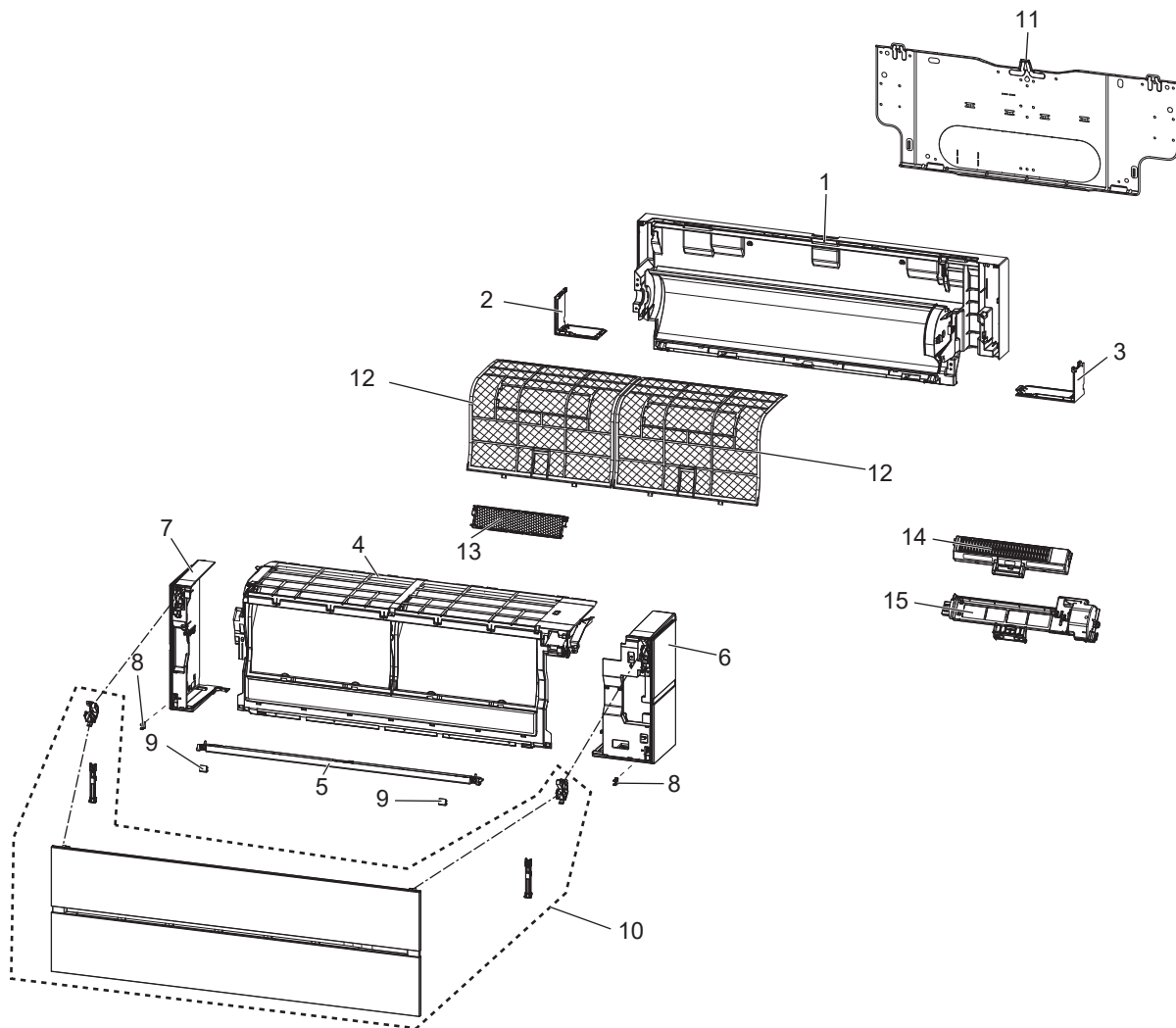
1. The part quantity below indicates the required number of pieces per unit.

No.	Part No.	Part name	MSZ-LN50VG2W-ET	MSZ-LN50VG2V-ET	MSZ-LN50VG2B-ET	MSZ-LN50VG2R-ET	MSZ-LN50VG2W-ER	MSZ-LN50VG2V-ER	MSZ-LN50VG2B-ER	MSZ-LN50VG2R-ER	MSZ-LN50VG2W-ET1	MSZ-LN50VG2V-ET1	MSZ-LN50VG2B-ET1	MSZ-LN50VG2R-ET1	MSZ-LN50VG2W-EN1	MSZ-LN50VG2V-EN1	MSZ-LN50VG2B-EN1	MSZ-LN50VG2R-EN1	Symbol in Wiring Diagram	Remarks	
1	E22 Y54 620	INDOOR HEAT EXCHANGER	1	1	1	1	1	1	1	1	1	1	1	1							
1	E22 93J 620	INDOOR HEAT EXCHANGER													1	1	1	1			
2	E22 815 666	UNION (GAS)	1	1	1	1	1	1	1	1	1	1	1	1	1	1	1	1			ø9.52
3	E22 151 667	UNION (LIQUID)	1	1	1	1	1	1	1	1	1	1	1	1	1	1	1	1			ø6.35

MSZ-LN50VG2W - [E2], [ER2], [EN2], [ET2] MSZ-LN50VG2V - [E2], [ER2], [EN2], [ET2]

MSZ-LN50VG2B - [E2], [ER2], [EN2], [ET2] MSZ-LN50VG2R - [E2], [ER2], [EN2], [ET2]

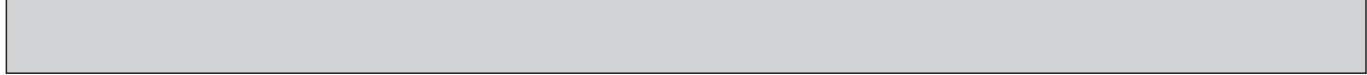
### 1-49. INDOOR UNIT STRUCTURAL PARTS



## 1-49. INDOOR UNIT STRUCTURAL PARTS

1. The part quantity below indicates the required number of pieces per unit.

No.	Part No.	Part name	MSZ-LN50VG2W - E2	MSZ-LN50VG2V - E2	MSZ-LN50VG2B - E2	MSZ-LN50VG2R - E2	MSZ-LN50VG2W - ER2	MSZ-LN50VG2V - ER2	MSZ-LN50VG2B - ER2	MSZ-LN50VG2R - ER2	MSZ-LN50VG2W - ET2	MSZ-LN50VG2V - ET2	MSZ-LN50VG2B - ET2	MSZ-LN50VG2R - ET2	MSZ-LN50VG2W - EN2	MSZ-LN50VG2V - EN2	MSZ-LN50VG2B - EN2	MSZ-LN50VG2R - EN2	Symbol in Wiring Diagram	Remarks	
1	E22 Y52 234	BOX ASSEMBLY	1	1			1	1			1	1			1	1					
1	E22 Y60 234	BOX ASSEMBLY			1	1			1	1			1	1			1	1			
2	E22 Y52 976	CORNER BOX (L)	1	1			1	1			1	1			1	1					
2	E22 Y60 976	CORNER BOX (L)			1	1			1	1			1	1			1	1			
3	E22 Y52 975	CORNER BOX (R)	1	1			1	1			1	1			1	1					
3	E22 Y60 975	CORNER BOX (R)			1	1			1	1			1	1			1	1			
4	E22 Y52 000	PANEL ASSEMBLY (F)	1	1			1	1			1	1			1	1					
4	E22 Y60 000	PANEL ASSEMBLY (F)			1	1			1	1			1	1			1	1			
5	E22 Y52 717	PANEL (U)	1	1			1	1			1	1			1	1					
5	E22 Y60 717	PANEL (U)			1				1				1				1				
5	E22 Y64 717	PANEL (U)				1				1				1				1			
6	E22 Y52 085	PANEL ASSEMBLY (R)	1				1				1				1					Includes CATCH (1PC)	
6	E22 Y56 085	PANEL ASSEMBLY (R)		1				1				1				1				Includes CATCH (1PC)	
6	E22 Y60 085	PANEL ASSEMBLY (R)			1				1				1				1			Includes CATCH (1PC)	
6	E22 Y64 085	PANEL ASSEMBLY (R)				1				1				1				1		Includes CATCH (1PC)	
7	E22 Y52 086	PANEL ASSEMBLY (L)	1				1				1				1					Includes CATCH (1PC)	
7	E22 Y56 086	PANEL ASSEMBLY (L)		1				1				1				1				Includes CATCH (1PC)	
7	E22 Y60 086	PANEL ASSEMBLY (L)			1				1				1				1			Includes CATCH (1PC)	
7	E22 Y64 086	PANEL ASSEMBLY (L)				1				1				1				1		Includes CATCH (1PC)	
8	E22 F95 142	CATCH	2	2	2	2	2	2	2	2	2	2	2	2	2	2	2	2	2	2	2 PCS/SET
9	E22 Y52 067	SCREW CAP	2	2			2	2			2	2			2	2				2	2 PCS/SET
9	E22 Y60 067	SCREW CAP			2				2				2				2			2	2 PCS/SET
9	E22 Y64 067	SCREW CAP				2				2				2				2		2	2 PCS/SET
10	E22 Y52 010	FRONT PANEL	1				1				1				1						
10	E22 Y56 010	FRONT PANEL		1				1				1				1					
10	E22 Y60 010	FRONT PANEL			1				1				1				1				
10	E22 Y64 010	FRONT PANEL				1				1				1				1			
11	E22 Y52 970	INSTALLATION PLATE	1	1	1	1	1	1	1	1	1	1	1	1	1	1	1	1	1	1	
12	E22 Y52 100	AIR FILTER	2	2	2		2	2	2		2	2	2		2	2	2				1 PC/SET
12	E22 Y64 100	AIR FILTER				2				2				2				2			1 PC/SET
13	—	AIR CLEANING FILTER (DEODORIZING FILTER)	1	1	1	1	1	1	1	1	1	1	1	1	1	1	1	1	1	1	1 PC/SET MAC-3010FT-E
14	E22 Y52 774	AIR PURIFYING DEVICE	1	1	1	1	1	1	1	1	1	1	1	1	1	1	1	1	1	1	
15	E22 Y52 775	AIR PURIFYING DEVICE SUPPORT	1	1	1	1	1	1	1	1	1	1	1	1	1	1	1	1	1	1	Equipped with connecting terminal



**MSZ-LN50VG2W** - [E2], [ER2], [EN2], [ET2]    **MSZ-LN50VG2V** - [E2], [ER2], [EN2], [ET2]  
**MSZ-LN50VG2B** - [E2], [ER2], [EN2], [ET2]    **MSZ-LN50VG2R** - [E2], [ER2], [EN2], [ET2]

**1-50. ACCESSORY AND REMOTE CONTROLLER**



## 1-50. ACCESSORY AND REMOTE CONTROLLER

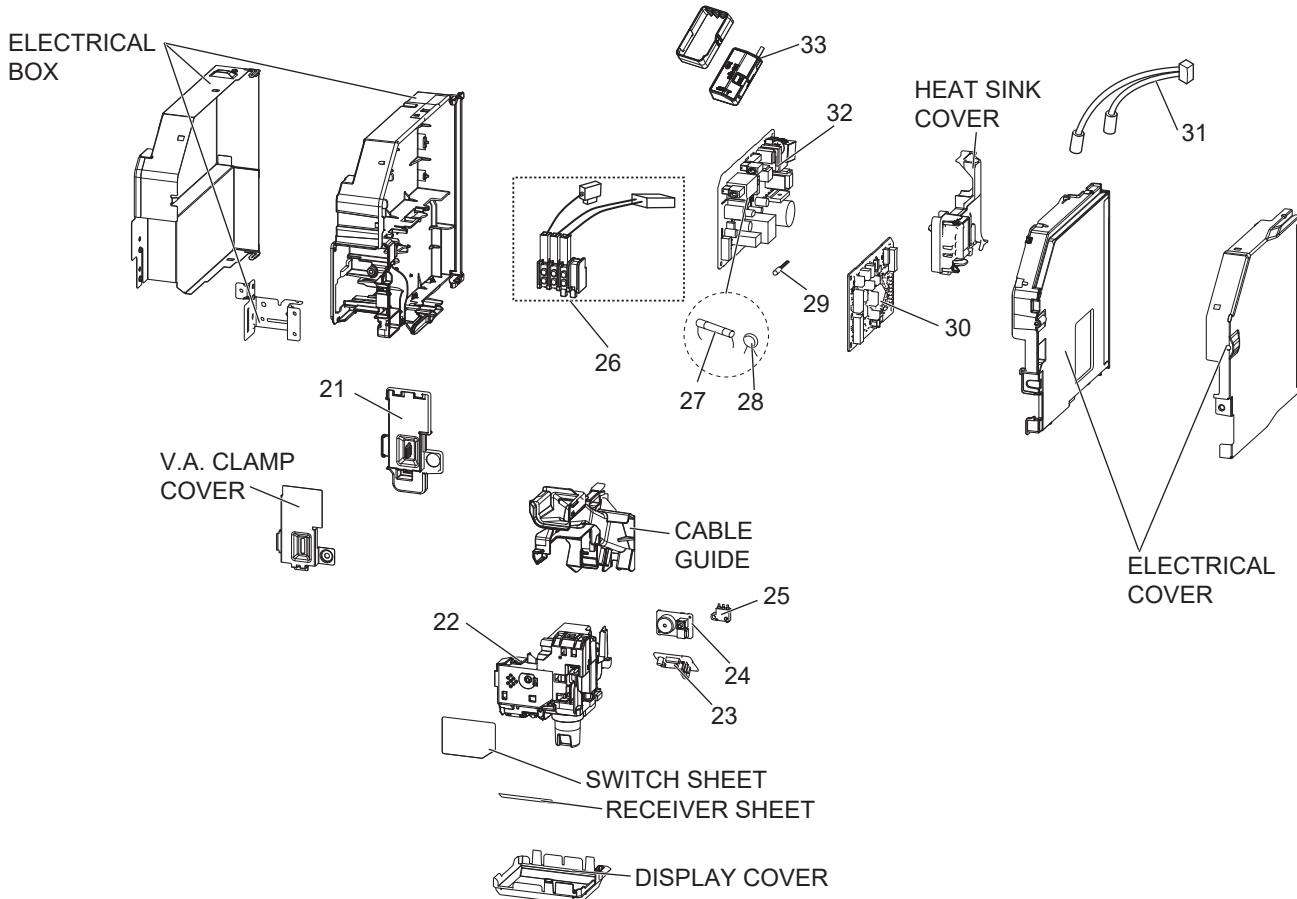
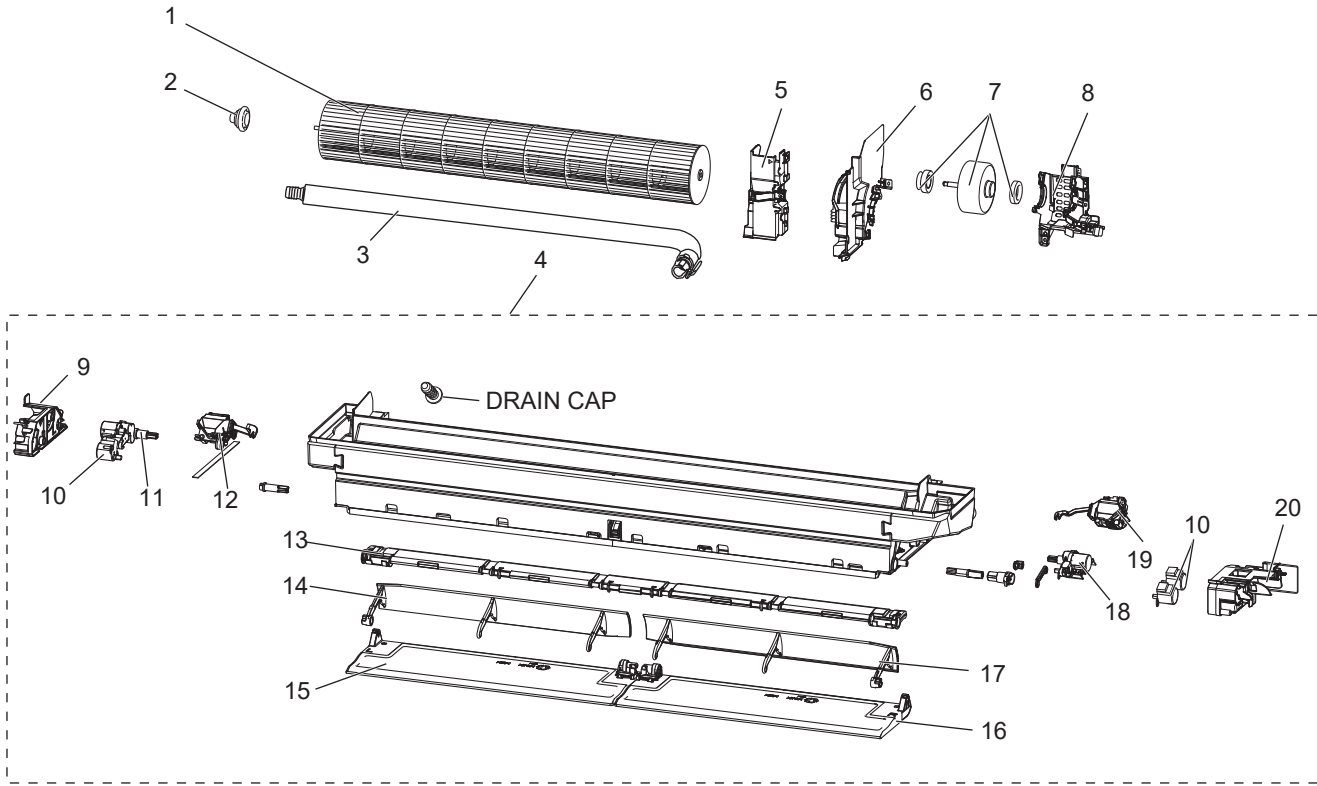
1. The part quantity below indicates the required number of pieces per unit.

No.	Part No.	Part name	MSZ-LN50VG2W - E2	MSZ-LN50VG2V - E2	MSZ-LN50VG2B - E2	MSZ-LN50VG2R - E2	MSZ-LN50VG2W - ER2	MSZ-LN50VG2V - ER2	MSZ-LN50VG2B - ER2	MSZ-LN50VG2R - ER2	MSZ-LN50VG2W - ET2	MSZ-LN50VG2V - ET2	MSZ-LN50VG2B - ET2	MSZ-LN50VG2R - ET2	MSZ-LN50VG2W - EN2	MSZ-LN50VG2V - EN2	MSZ-LN50VG2B - EN2	MSZ-LN50VG2R - EN2	Symbol in Wiring Diagram	Remarks
1	E22 65J 426	REMOTE CONTROLLER	1								1									SG19N
1	E22 66J 426	REMOTE CONTROLLER		1								1								XG19D
1	E22 67J 426	REMOTE CONTROLLER			1								1							XG19F
1	E22 68J 426	REMOTE CONTROLLER				1								1						XG19E
1	E22 91P 426	REMOTE CONTROLLER					1													SG19N
1	E22 92P 426	REMOTE CONTROLLER						1												XG19D
1	E22 93P 426	REMOTE CONTROLLER							1											XG19F
1	E22 94P 426	REMOTE CONTROLLER								1										XG19E
1	E22 81J 426	REMOTE CONTROLLER													1					SG19L
1	E22 82J 426	REMOTE CONTROLLER														1				XG19A
1	E22 83J 426	REMOTE CONTROLLER															1			XG19C
1	E22 84J 426	REMOTE CONTROLLER																1		XG19B

MSZ-LN50VG2W - [E2], [ER2], [EN2], [ET2] MSZ-LN50VG2V - [E2], [ER2], [EN2], [ET2]

MSZ-LN50VG2B - [E2], [ER2], [EN2], [ET2] MSZ-LN50VG2R - [E2], [ER2], [EN2], [ET2]

### 1-51. INDOOR UNIT ELECTRICAL PARTS AND FUNCTIONAL PARTS





## 1-51. INDOOR UNIT ELECTRICAL PARTS AND FUNCTIONAL PARTS

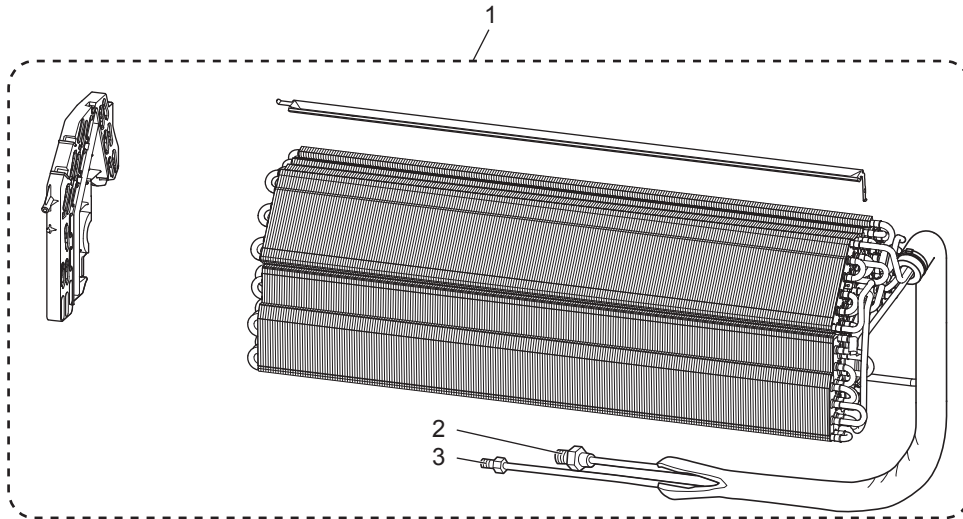
1. The part quantity below indicates the required number of pieces per unit.

No.	Part No.	Part name	MSZ-LN50VG2W-E2	MSZ-LN50VG2V-E2	MSZ-LN50VG2B-E2	MSZ-LN50VG2R-E2	MSZ-LN50VG2W-ER2	MSZ-LN50VG2V-ER2	MSZ-LN50VG2B-ER2	MSZ-LN50VG2R-ER2	MSZ-LN50VG2W-ET2	MSZ-LN50VG2V-ET2	MSZ-LN50VG2B-ET2	MSZ-LN50VG2R-ET2	MSZ-LN50VG2W-EN2	MSZ-LN50VG2V-EN2	MSZ-LN50VG2B-EN2	MSZ-LN50VG2R-EN2	Symbol in Wiring Diagram	Remarks
			1	1	1	1	1	1	1	1	1	1	1	1	1	1	1	1		
1	E22 Y52 302	LINE FLOW FAN	1	1	1	1	1	1	1	1	1	1	1	1	1	1	1	1		
2	E22 A89 509	BEARING MOUNT ASSEMBLY	1	1	1	1	1	1	1	1	1	1	1	1	1	1	1	1		
3	E22 T20 702	DRAIN HOSE	1	1	1	1	1	1	1	1	1	1	1	1						
3	E22 81J 702	DRAIN HOSE													1	1	1	1		
4	E22 Y52 235	NOZZLE ASSEMBLY	1	1			1	1			1	1			1	1				Full assembly except drain hose
4	E22 Y60 235	NOZZLE ASSEMBLY			1				1				1				1			Full assembly except drain hose
4	E22 Y64 235	NOZZLE ASSEMBLY				1				1				1				1		Full assembly except drain hose
5	E22 Y52 541	WATER COVER	1	1	1	1	1	1	1	1	1	1	1	1	1	1	1	1		
6	E22 Y52 333	MOTOR BAND	1	1	1	1	1	1	1	1	1	1	1	1	1	1	1	1		
7	E22 Y52 300	INDOOR FAN MOTOR	1	1	1	1	1	1	1	1	1	1	1	1	1	1	1	1	MF	RC0J30-□□
8	E22 20A 333	MOTOR BED	1	1	1	1	1	1	1	1	1	1	1	1	1	1	1	1		
9	E22 65J 303	VANE MOTOR UNIT (L) (VERTICAL)	1	1	1	1	1	1	1	1	1	1	1	1	1	1	1	1	MV2	(RIGHT & LEFT)
10	E22 A89 303	VANE MOTOR (HORIZONTAL)	3	3	3	3	3	3	3	3	3	3	3	3	3	3	3	3	MV1	(UP & DOWN)
11	E22 Y53 303	OUTER VANE MOTOR (L) (HORIZONTAL)	1	1	1	1	1	1	1	1	1	1	1	1	1	1	1	1	MV1	(UP & DOWN)
12	E22 67J 303	VANE MOTOR (L) (VERTICAL)	1	1	1	1	1	1	1	1	1	1	1	1	1	1	1	1	MV2	(RIGHT & LEFT)
13	E22 Y52 046	VANE SLIDE ASSEMBLY	1	1			1	1			1	1			1	1				
13	E22 Y60 046	VANE SLIDE ASSEMBLY			1	1			1	1			1	1			1	1		
14	E22 Y53 040	INNER VANE (L)	1	1	1	1	1	1	1	1	1	1	1	1	1	1	1	1		
15	E22 Y53 041	OUTER VANE (L)	1	1			1	1			1	1			1	1				
15	E22 Y61 041	OUTER VANE (L)			1				1			1					1			
15	E22 Y65 041	OUTER VANE (L)				1				1			1					1		
16	E22 Y52 041	OUTER VANE (R)	1	1			1	1			1	1			1	1				
16	E22 Y60 041	OUTER VANE (R)			1				1				1				1			
16	E22 Y64 041	OUTER VANE (R)				1				1				1				1		
17	E22 Y52 040	INNER VANE (R)	1	1	1	1	1	1	1	1	1	1	1	1	1	1	1	1		
18	E22 Y54 303	OUTER VANE MOTOR (R) (HORIZONTAL)	1	1	1	1	1	1	1	1	1	1	1	1	1	1	1	1	MV1	(UP & DOWN)
19	E22 J44 303	VANE MOTOR (R) (VERTICAL)	1	1	1	1	1	1	1	1	1	1	1	1	1	1	1	1	MV2	(RIGHT & LEFT)
20	E22 66J 303	VANE MOTOR UNIT (R) (VERTICAL)	1	1	1	1	1	1	1	1	1	1	1	1	1	1	1	1	MV2	(RIGHT & LEFT)
21	E22 Y52 784	V.A. CLAMP	1	1	1	1	1	1	1	1	1	1	1	1	1	1	1	1		
22	E22 Y52 391	DISPLAY AND i-see SENSOR ASSEMBLY	1	1			1	1			1	1			1	1			MT	
22	E22 Y60 391	DISPLAY AND i-see SENSOR ASSEMBLY			1	1			1	1			1	1			1	1	MT	
23	E22 Y52 468	DISPLAY AND RECEIVER P.C. BOARD	1	1	1	1	1	1	1	1	1	1	1	1	1	1	1	1		
24	E22 Y52 326	SWITCH BUZZER P.C. BOARD	1	1	1	1	1	1	1	1	1	1	1	1	1	1	1	1		
25	E22 Y52 316	INTER LOCK SWITCH (AIR PURIFYING DEVICE)	1	1	1	1	1	1	1	1	1	1	1	1	1	1	1	1		
26	E22 T21 375	TERMINAL BLOCK	1	1	1	1	1	1	1	1	1	1	1	1	1	1	1	1	TB	3P
27	E22 A49 382	FUSE	1	1	1	1	1	1	1	1	1	1	1	1	1	1	1	1	F11	T3.15AL250V
28	E22 B75 385	VARISTOR	1	1	1	1	1	1	1	1	1	1	1	1	1	1	1	1	NR11	
29	E22 Y52 308	ROOM TEMPERATURE THERMISTOR	1	1	1	1	1	1	1	1	1	1	1	1	1	1	1	1	RT11	
30	E22 78J 452	ELECTRONIC CONTROL P.C. BOARD	1	1	1	1	1	1	1	1	1	1	1	1						
30	E22 94J 452	ELECTRONIC CONTROL P.C. BOARD													1	1	1	1		
31	E22 Y54 307	INDOOR COIL THERMISTOR	1	1	1	1	1	1	1	1	1	1	1	1	1	1	1	1	RT12, RT13	
32	E22 Y54 440	POWER P.C. BOARD	1	1	1	1	1	1	1	1	1	1	1	1	1	1	1	1		
33	E22 77T 457	Wi-Fi INTERFACE MAC-577IF2-E	1	1	1	1	1	1	1	1	1	1	1	1	1	1	1	1		MAC-577IF2-E

**MSZ-LN50VG2W** - [E2], [ER2], [EN2], [ET2]    **MSZ-LN50VG2V** - [E2], [ER2], [EN2], [ET2]

**MSZ-LN50VG2B** - [E2], [ER2], [EN2], [ET2]    **MSZ-LN50VG2R** - [E2], [ER2], [EN2], [ET2]

**1-52. INDOOR UNIT HEAT EXCHANGER**



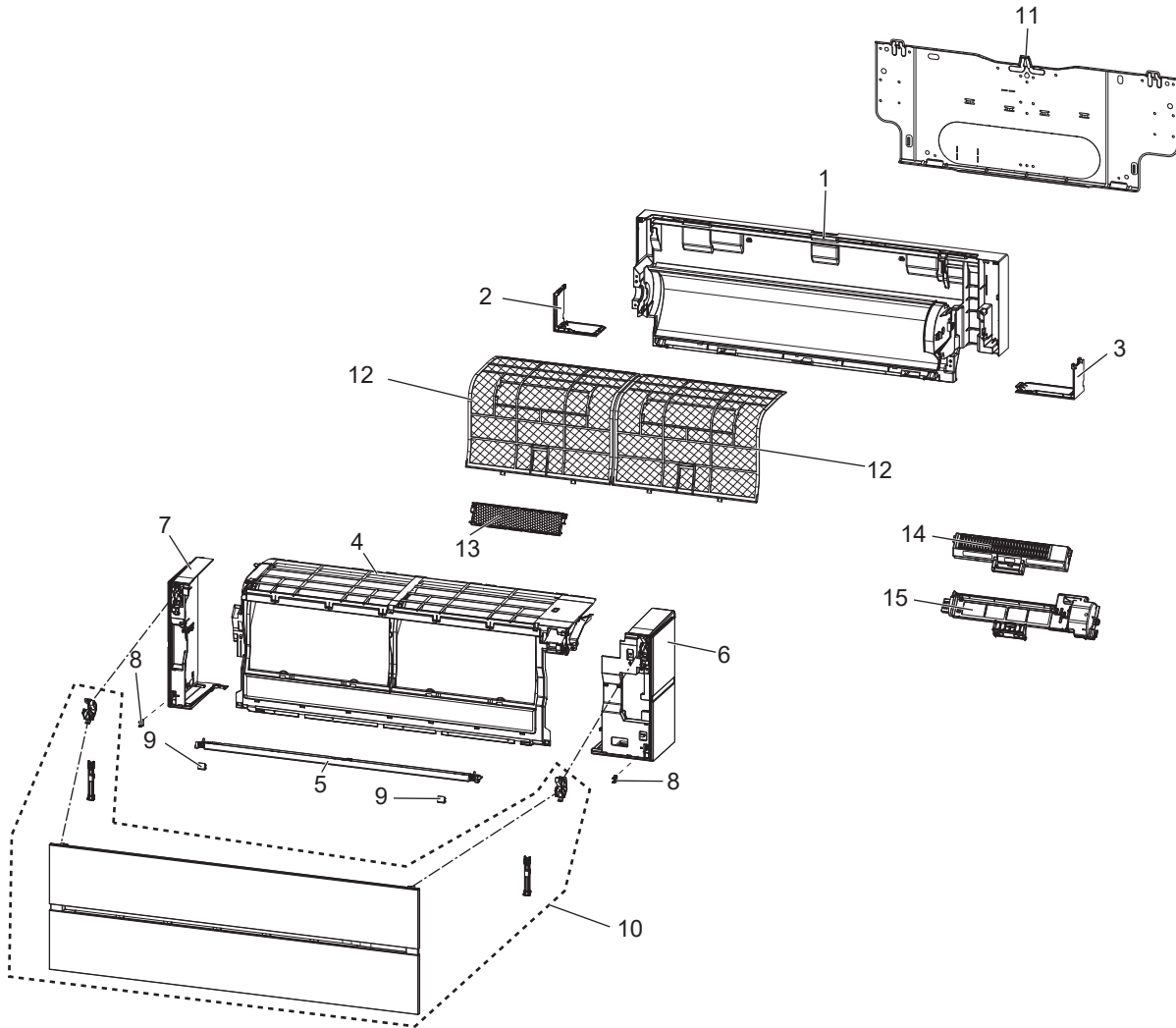
## 1-52. INDOOR UNIT HEAT EXCHANGER

1. The part quantity below indicates the required number of pieces per unit.

No.	Part No.	Part name	MSZ-LN50VG2W - E2	MSZ-LN50VG2V - E2	MSZ-LN50VG2B - E2	MSZ-LN50VG2R - E2	MSZ-LN50VG2W - ER2	MSZ-LN50VG2V - ER2	MSZ-LN50VG2B - ER2	MSZ-LN50VG2R - ER2	MSZ-LN50VG2W - ET2	MSZ-LN50VG2V - ET2	MSZ-LN50VG2B - ET2	MSZ-LN50VG2R - ET2	MSZ-LN50VG2W - EN2	MSZ-LN50VG2V - EN2	MSZ-LN50VG2B - EN2	MSZ-LN50VG2R - EN2	Symbol in Wiring Diagram	Remarks	
1	E22 Y54 620	INDOOR HEAT EXCHANGER	1	1	1	1	1	1	1	1	1	1	1	1							
1	E22 93J 620	INDOOR HEAT EXCHANGER													1	1	1	1			
2	E22 815 666	UNION (GAS)	1	1	1	1	1	1	1	1	1	1	1	1	1	1	1	1			ø9.52
3	E22 151 667	UNION (LIQUID)	1	1	1	1	1	1	1	1	1	1	1	1	1	1	1	1			ø6.35

MSZ-LN60VG2W - [E1], [ER1], [ET1]    MSZ-LN60VG2V - [E1], [ER1], [ET1]  
 MSZ-LN60VG2B - [E1], [ER1], [ET1]    MSZ-LN60VG2R - [E1], [ER1], [ET1]

**1-53. INDOOR UNIT STRUCTURAL PARTS**



**1-54. ACCESSORY AND REMOTE CONTROLLER**



### 1-53. INDOOR UNIT STRUCTURAL PARTS

1. The part quantity below indicates the required number of pieces per unit.

No.	Part No.	Part name	MSZ-LN60VG2W - [ET]	MSZ-LN60VG2V - [ET]	MSZ-LN60VG2B - [ET]	MSZ-LN60VG2R - [ET]	MSZ-LN60VG2W - [ER1]	MSZ-LN60VG2V - [ER1]	MSZ-LN60VG2B - [ER1]	MSZ-LN60VG2R - [ER1]	MSZ-LN60VG2W - [ET1]	MSZ-LN60VG2V - [ET1]	MSZ-LN60VG2B - [ET1]	MSZ-LN60VG2R - [ET1]	Symbol in Wiring Diagram	Remarks
1	E22 Y52 234	BOX ASSEMBLY	1	1			1	1			1	1				
1	E22 Y60 234	BOX ASSEMBLY			1	1			1	1			1	1		
2	E22 Y52 976	CORNER BOX (L)	1	1			1	1			1	1				
2	E22 Y60 976	CORNER BOX (L)			1	1			1	1			1	1		
3	E22 Y52 975	CORNER BOX (R)	1	1			1	1			1	1				
3	E22 Y60 975	CORNER BOX (R)			1	1			1	1			1	1		
4	E22 Y52 000	PANEL ASSEMBLY (F)	1	1			1	1			1	1				
4	E22 Y60 000	PANEL ASSEMBLY (F)			1	1			1	1			1	1		
5	E22 Y52 717	PANEL (U)	1	1			1	1			1	1				
5	E22 Y60 717	PANEL (U)			1				1				1			
5	E22 Y64 717	PANEL (U)				1			1					1		
6	E22 Y52 085	PANEL ASSEMBLY (R)	1				1				1					
6	E22 Y56 085	PANEL ASSEMBLY (R)		1				1				1				
6	E22 Y60 085	PANEL ASSEMBLY (R)			1				1				1			
6	E22 Y64 085	PANEL ASSEMBLY (R)				1			1					1		
7	E22 Y52 086	PANEL ASSEMBLY (L)	1				1				1					
7	E22 Y56 086	PANEL ASSEMBLY (L)		1				1				1				
7	E22 Y60 086	PANEL ASSEMBLY (L)			1				1				1			
7	E22 Y64 086	PANEL ASSEMBLY (L)				1			1					1		
8	E22 F95 142	CATCH	2	2	2	2	2	2	2	2	2	2	2	2		2 PCS/SET
9	E22 Y52 067	SCREW CAP	2	2			2	2			2	2				
9	E22 Y60 067	SCREW CAP			2				2				2			
9	E22 Y64 067	SCREW CAP				2			2					2		
10	E22 Y52 010	FRONT PANEL	1				1				1					
10	E22 Y56 010	FRONT PANEL		1				1				1				
10	E22 Y60 010	FRONT PANEL			1				1				1			
10	E22 Y64 010	FRONT PANEL				1			1					1		
11	E22 Y52 970	INSTALLATION PLATE	1	1	1	1	1	1	1	1	1	1	1	1		
12	E22 Y52 100	AIR FILTER	2	2	2		2	2	2		2	2	2			1 PC/SET
12	E22 Y64 100	AIR FILTER				2			2					2		1 PC/SET
13	—	AIR CLEANING FILTER (DEODORIZING FILTER)	1	1	1	1	1	1	1	1	1	1	1	1		1 PC/SET MAC-3010FT-E
14	E22 Y52 774	AIR PURIFYING DEVICE	1	1	1	1	1	1	1	1	1	1	1	1		
15	E22 Y52 775	AIR PURIFYING DEVICE SUPPORT	1	1	1	1	1	1	1	1	1	1	1	1		

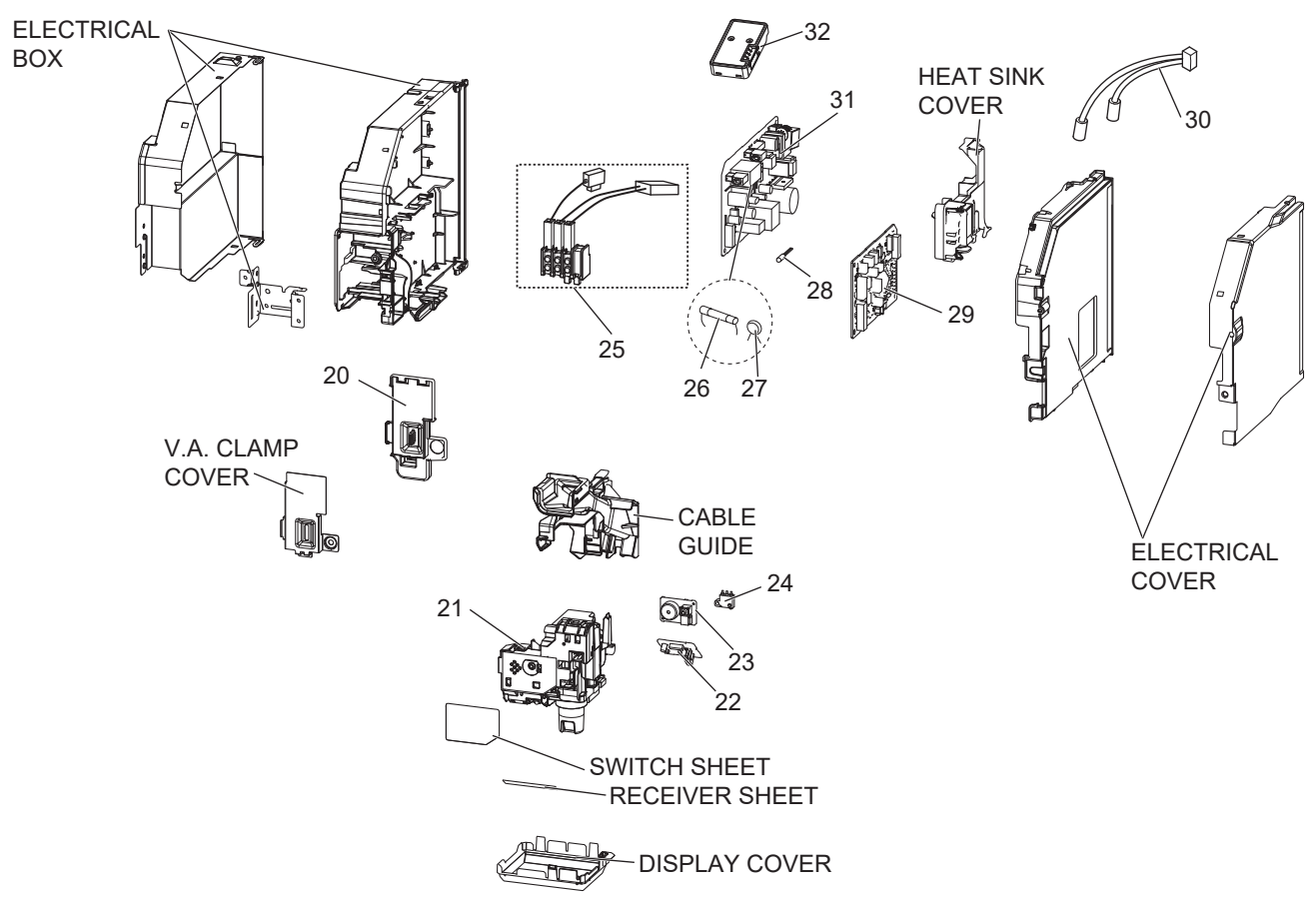
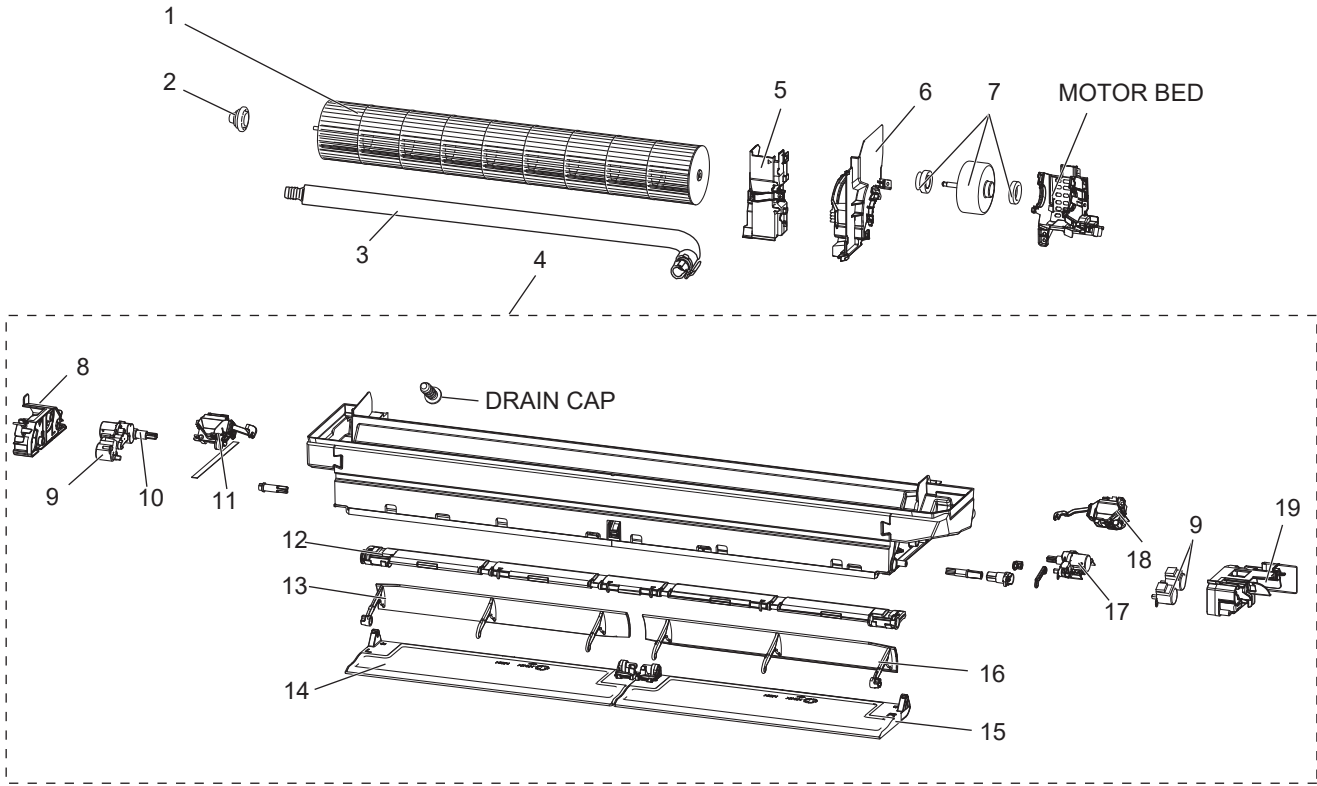
### 1-54. ACCESSORY AND REMOTE CONTROLLER

1. The part quantity below indicates the required number of pieces per unit.

No.	Part No.	Part name	MSZ-LN60VG2W - [ET]	MSZ-LN60VG2V - [ET]	MSZ-LN60VG2B - [ET]	MSZ-LN60VG2R - [ET]	MSZ-LN60VG2W - [ER1]	MSZ-LN60VG2V - [ER1]	MSZ-LN60VG2B - [ER1]	MSZ-LN60VG2R - [ER1]	MSZ-LN60VG2W - [ET1]	MSZ-LN60VG2V - [ET1]	MSZ-LN60VG2B - [ET1]	MSZ-LN60VG2R - [ET1]	Symbol in Wiring Diagram	Remarks
16	E22 65J 426	REMOTE CONTROLLER	1								1					SG19N
16	E22 66J 426	REMOTE CONTROLLER		1								1				XG19D
16	E22 67J 426	REMOTE CONTROLLER			1								1			XG19F
16	E22 68J 426	REMOTE CONTROLLER				1								1		XG19E
16	E22 91P 426	REMOTE CONTROLLER					1									SG19N
16	E22 92P 426	REMOTE CONTROLLER						1								XG19D
16	E22 93P 426	REMOTE CONTROLLER							1							XG19F
16	E22 94P 426	REMOTE CONTROLLER								1						XG19E

MSZ-LN60VG2W - [E1], [ER1], [ET1] MSZ-LN60VG2V - [E1], [ER1], [ET1]  
 MSZ-LN60VG2B - [E1], [ER1], [ET1] MSZ-LN60VG2R - [E1], [ER1], [ET1]

1-55. INDOOR UNIT ELECTRICAL PARTS AND FUNCTIONAL PARTS

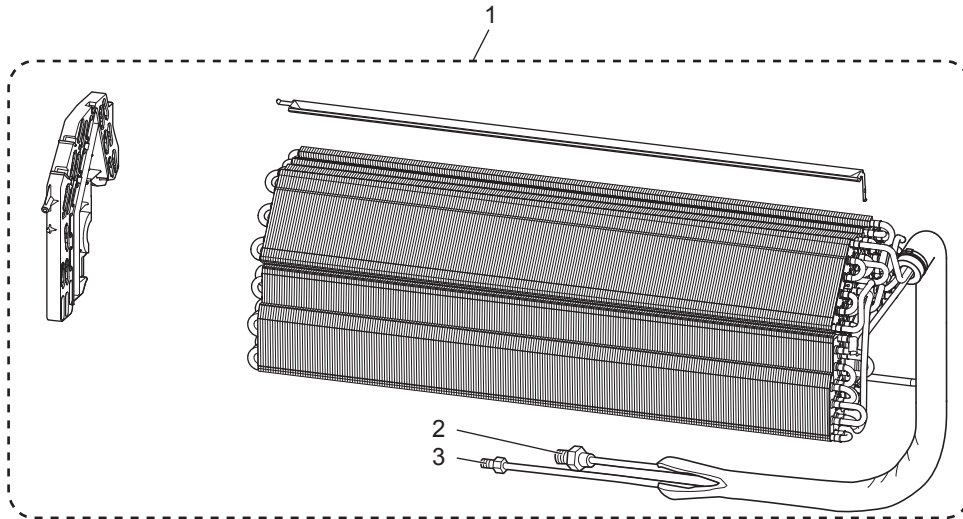


## 1-55. INDOOR UNIT ELECTRICAL PARTS AND FUNCTIONAL PARTS

1. The part quantity below indicates the required number of pieces per unit.

No.	Part No.	Part name	MSZ-LN60VG2W	MSZ-LN60VG2V	MSZ-LN60VG2B	MSZ-LN60VG2R	MSZ-LN60VG2W	MSZ-LN60VG2V	MSZ-LN60VG2B	MSZ-LN60VG2R	MSZ-LN60VG2W	MSZ-LN60VG2V	MSZ-LN60VG2B	MSZ-LN60VG2R	Symbol in Wiring Diagram	Remarks
			-ET1	-ET1	-ET1	-ET1	-ER1	-ER1	-ER1	-ET1	-ET1	-ET1	-ET1			
1	E22 Y52 302	LINE FLOW FAN	1	1	1	1	1	1	1	1	1	1	1			
2	E22 A89 509	BEARING MOUNT ASSEMBLY	1	1	1	1	1	1	1	1	1	1	1			
3	E22 T20 702	DRAIN HOSE	1	1	1	1	1	1	1	1	1	1	1			
4	E22 Y52 235	NOZZLE ASSEMBLY	1	1			1	1			1	1				
4	E22 Y60 235	NOZZLE ASSEMBLY			1				1				1			
4	E22 Y64 235	NOZZLE ASSEMBLY				1				1				1		
5	E22 Y52 541	WATER COVER	1	1	1	1	1	1	1	1	1	1	1			
6	E22 Y52 333	MOTOR BAND	1	1	1	1	1	1	1	1	1	1	1			
7	E22 Y52 300	INDOOR FAN MOTOR	1	1	1	1	1	1	1	1	1	1	1	MF	RC0J30-□□	
8	E22 65J 303	VANE MOTOR UNIT (L) (VERTICAL)	1	1	1	1	1	1	1	1	1	1	1	MV2	(RIGHT & LEFT)	
9	E22 A89 303	VANE MOTOR (HORIZONTAL)	3	3	3	3	3	3	3	3	3	3	3	MV1	(UP & DOWN)	
10	E22 Y53 303	OUTER VANE MOTOR (L) (HORIZONTAL)	1	1	1	1	1	1	1	1	1	1	1	MV1	(UP & DOWN)	
11	E22 67J 303	VANE MOTOR (L) (VERTICAL)	1	1	1	1	1	1	1	1	1	1	1	MV2	(RIGHT & LEFT)	
12	E22 Y52 046	VANE SLIDE ASSEMBLY	1	1			1	1			1	1				
12	E22 Y60 046	VANE SLIDE ASSEMBLY			1	1			1	1			1	1		
13	E22 Y53 040	INNER VANE (L)	1	1	1	1	1	1	1	1	1	1	1			
14	E22 Y53 041	OUTER VANE (L)	1	1			1	1			1	1				
14	E22 Y61 041	OUTER VANE (L)			1				1				1			
14	E22 Y65 041	OUTER VANE (L)				1				1				1		
15	E22 Y52 041	OUTER VANE (R)	1	1			1	1			1	1				
15	E22 Y60 041	OUTER VANE (R)			1				1				1			
15	E22 Y64 041	OUTER VANE (R)				1				1				1		
16	E22 Y52 040	INNER VANE (R)	1	1	1	1	1	1	1	1	1	1	1			
17	E22 Y54 303	OUTER VANE MOTOR (R) (HORIZONTAL)	1	1	1	1	1	1	1	1	1	1	1	MV1	(UP & DOWN)	
18	E22 J44 303	VANE MOTOR (R) (VERTICAL)	1	1	1	1	1	1	1	1	1	1	1	MV2	(RIGHT & LEFT)	
19	E22 66J 303	VANE MOTOR UNIT (R) (VERTICAL)	1	1	1	1	1	1	1	1	1	1	1	MV2	(RIGHT & LEFT)	
20	E22 Y52 784	V.A. CLAMP	1	1	1	1	1	1	1	1	1	1	1			
21	E22 Y52 391	DISPLAY AND i-see SENSOR ASSEMBLY	1	1			1	1			1	1		MT		
21	E22 Y60 391	DISPLAY AND i-see SENSOR ASSEMBLY			1	1			1	1			1	1	MT	
22	E22 Y52 468	DISPLAY AND RECEIVER P.C. BOARD	1	1	1	1	1	1	1	1	1	1	1			
23	E22 Y52 326	SWITCH BUZZER P.C. BOARD	1	1	1	1	1	1	1	1	1	1	1			
24	E22 Y52 316	INTER LOCK SWITCH (AIR PURIFYING DEVICE)	1	1	1	1	1	1	1	1	1	1	1			
25	E22 T21 375	TERMINAL BLOCK	1	1	1	1	1	1	1	1	1	1	1	TB	3P	
26	E22 A49 382	FUSE	1	1	1	1	1	1	1	1	1	1	1	F11	T3.15AL250V	
27	E22 B75 385	VARISTOR	1	1	1	1	1	1	1	1	1	1	1	NR11		
28	E22 Y52 308	ROOM TEMPERATURE THERMISTOR	1	1	1	1	1	1	1	1	1	1	1	RT11		
29	E22 61J 452	ELECTRONIC CONTROL P.C. BOARD	1	1	1	1	1	1	1	1	1	1	1			
30	E22 Y54 307	INDOOR COIL THERMISTOR	1	1	1	1	1	1	1	1	1	1	1	RT12, RT13		
31	E22 Y55 440	POWER P.C. BOARD	1	1	1	1	1	1	1	1	1	1	1			
32	E22 Y52 457	Wi-Fi INTERFACE MAC-567IFB-E	1	1	1	1	1	1	1	1	1	1	1		MAC-567IFB-E	

**MSZ-LN60VG2W** - [E1], [ER1], [ET1]    **MSZ-LN60VG2V** - [E1], [ER1], [ET1]  
**MSZ-LN60VG2B** - [E1], [ER1], [ET1]    **MSZ-LN60VG2R** - [E1], [ER1], [ET1]  
**1-56. INDOOR UNIT HEAT EXCHANGER**



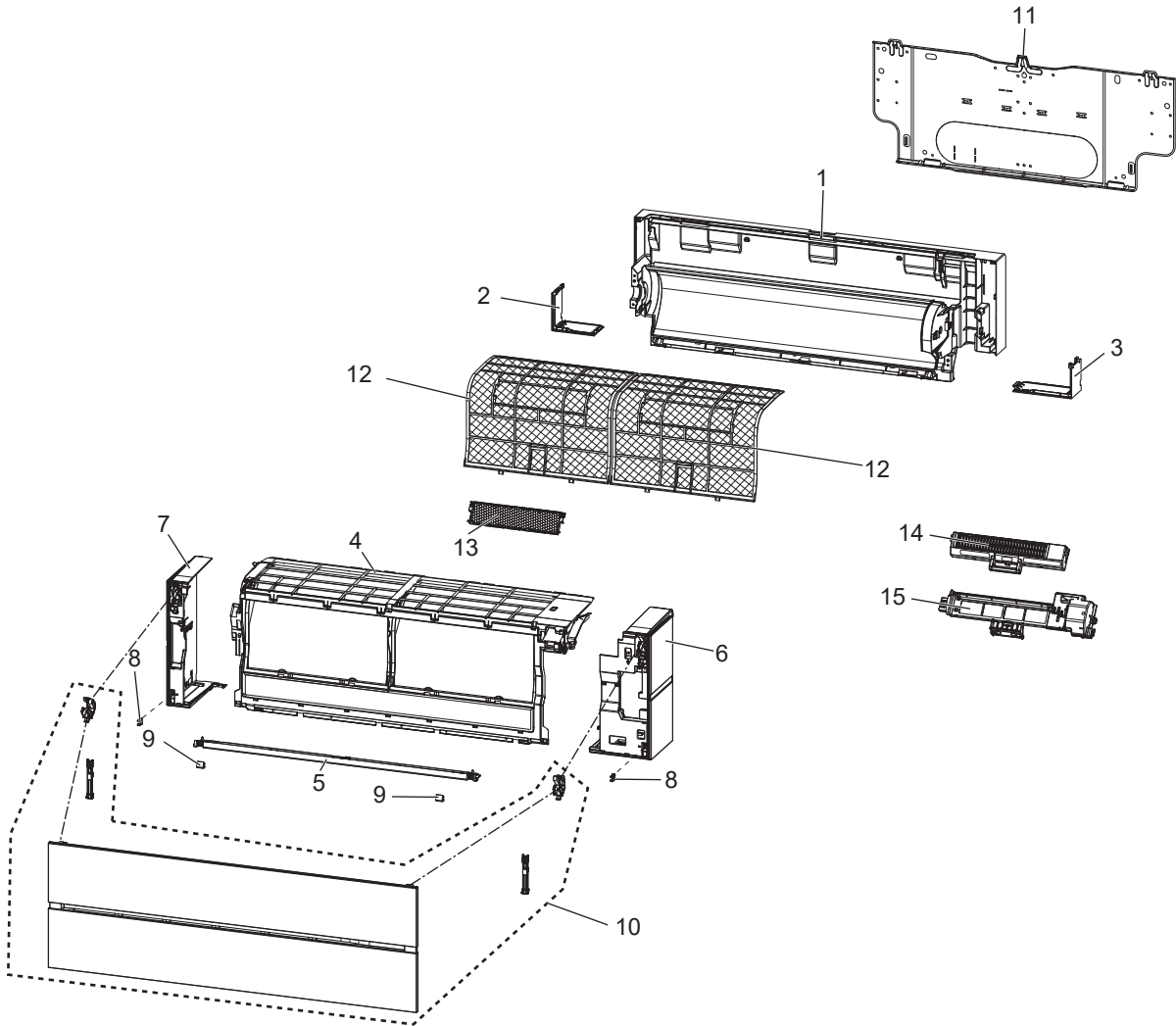


## 1-56. INDOOR UNIT HEAT EXCHANGER

1. The part quantity below indicates the required number of pieces per unit.

No.	Part No.	Part name	MSZ-LN60VG2W - [ET]	MSZ-LN60VG2V - [ET]	MSZ-LN60VG2B - [ET]	MSZ-LN60VG2R - [ET]	MSZ-LN60VG2W - [ER1]	MSZ-LN60VG2V - [ER1]	MSZ-LN60VG2B - [ER1]	MSZ-LN60VG2R - [ER1]	MSZ-LN60VG2W - [ET1]	MSZ-LN60VG2V - [ET1]	MSZ-LN60VG2B - [ET1]	MSZ-LN60VG2R - [ET1]	Symbol in Wiring Diagram	Remarks
1	E22 Y55 620	INDOOR HEAT EXCHANGER	1	1	1	1	1	1	1	1	1	1	1	1		
2	E22 155 666	UNION (GAS)	1	1	1	1	1	1	1	1	1	1	1	1		ø12.7
3	E22 151 667	UNION (LIQUID)	1	1	1	1	1	1	1	1	1	1	1	1		ø6.35

MSZ-LN60VG2W - [E2], [ER2], [ET2]    MSZ-LN60VG2V - [E2], [ER2], [ET2]  
 MSZ-LN60VG2B - [E2], [ER2], [ET2]    MSZ-LN60VG2R - [E2], [ER2], [ET2]  
 1-57. INDOOR UNIT STRUCTURAL PARTS



1-58. ACCESSORY AND REMOTE CONTROLLER



## 1-57. INDOOR UNIT STRUCTURAL PARTS

1. The part quantity below indicates the required number of pieces per unit.

No.	Part No.	Part name	MSZ-LN60VG2W - [E2]	MSZ-LN60VG2V - [E2]	MSZ-LN60VG2B - [E2]	MSZ-LN60VG2R - [E2]	MSZ-LN60VG2W - [ER2]	MSZ-LN60VG2V - [ER2]	MSZ-LN60VG2B - [ER2]	MSZ-LN60VG2R - [ER2]	MSZ-LN60VG2W - [ET2]	MSZ-LN60VG2V - [ET2]	MSZ-LN60VG2B - [ET2]	MSZ-LN60VG2R - [ET2]	Symbol in Wiring Diagram	Remarks
1	E22 Y52 234	BOX ASSEMBLY	1	1			1	1			1	1				
1	E22 Y60 234	BOX ASSEMBLY			1	1			1	1			1	1		
2	E22 Y52 976	CORNER BOX (L)	1	1			1	1			1	1				
2	E22 Y60 976	CORNER BOX (L)			1	1			1	1			1	1		
3	E22 Y52 975	CORNER BOX (R)	1	1			1	1			1	1				
3	E22 Y60 975	CORNER BOX (R)			1	1			1	1			1	1		
4	E22 Y52 000	PANEL ASSEMBLY (F)	1	1			1	1			1	1				
4	E22 Y60 000	PANEL ASSEMBLY (F)			1	1			1	1			1	1		
5	E22 Y52 717	PANEL (U)	1	1			1	1			1	1				
5	E22 Y60 717	PANEL (U)			1				1				1			
5	E22 Y64 717	PANEL (U)				1				1				1		
6	E22 Y52 085	PANEL ASSEMBLY (R)	1				1				1					Includes CATCH (1PC)
6	E22 Y56 085	PANEL ASSEMBLY (R)		1				1				1				Includes CATCH (1PC)
6	E22 Y60 085	PANEL ASSEMBLY (R)			1				1				1			Includes CATCH (1PC)
6	E22 Y64 085	PANEL ASSEMBLY (R)				1				1				1		Includes CATCH (1PC)
7	E22 Y52 086	PANEL ASSEMBLY (L)	1				1				1					Includes CATCH (1PC)
7	E22 Y56 086	PANEL ASSEMBLY (L)		1				1				1				Includes CATCH (1PC)
7	E22 Y60 086	PANEL ASSEMBLY (L)			1				1				1			Includes CATCH (1PC)
7	E22 Y64 086	PANEL ASSEMBLY (L)				1				1				1		Includes CATCH (1PC)
8	E22 F95 142	CATCH	2	2	2	2	2	2	2	2	2	2	2	2		2 PCS/SET
9	E22 Y52 067	SCREW CAP	2	2			2	2			2	2				2 PCS/SET
9	E22 Y60 067	SCREW CAP			2				2				2			2 PCS/SET
9	E22 Y64 067	SCREW CAP				2				2				2		2 PCS/SET
10	E22 Y52 010	FRONT PANEL	1				1				1					
10	E22 Y56 010	FRONT PANEL		1				1				1				
10	E22 Y60 010	FRONT PANEL			1				1				1			
10	E22 Y64 010	FRONT PANEL				1				1				1		
11	E22 Y52 970	INSTALLATION PLATE	1	1	1	1	1	1	1	1	1	1	1	1		
12	E22 Y52 100	AIR FILTER	2	2	2		2	2	2		2	2	2			1 PC/SET
12	E22 Y64 100	AIR FILTER				2				2				2		1 PC/SET
13	—	AIR CLEANING FILTER (DEODORIZING FILTER)	1	1	1	1	1	1	1	1	1	1	1	1		1 PC/SET MAC-3010FT-E
14	E22 Y52 774	AIR PURIFYING DEVICE	1	1	1	1	1	1	1	1	1	1	1	1		
15	E22 Y52 775	AIR PURIFYING DEVICE SUPPORT	1	1	1	1	1	1	1	1	1	1	1	1		Equipped with connecting terminal

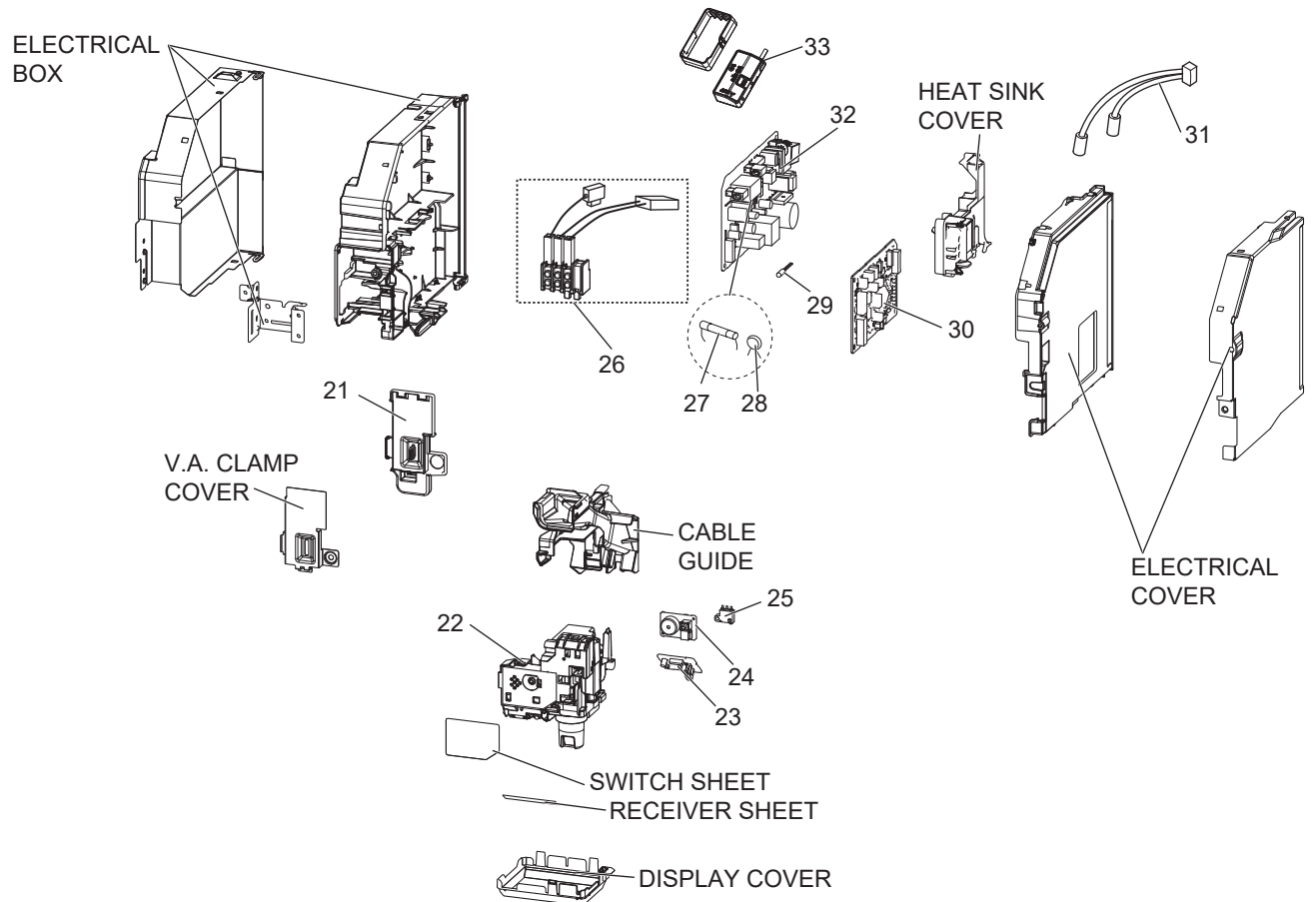
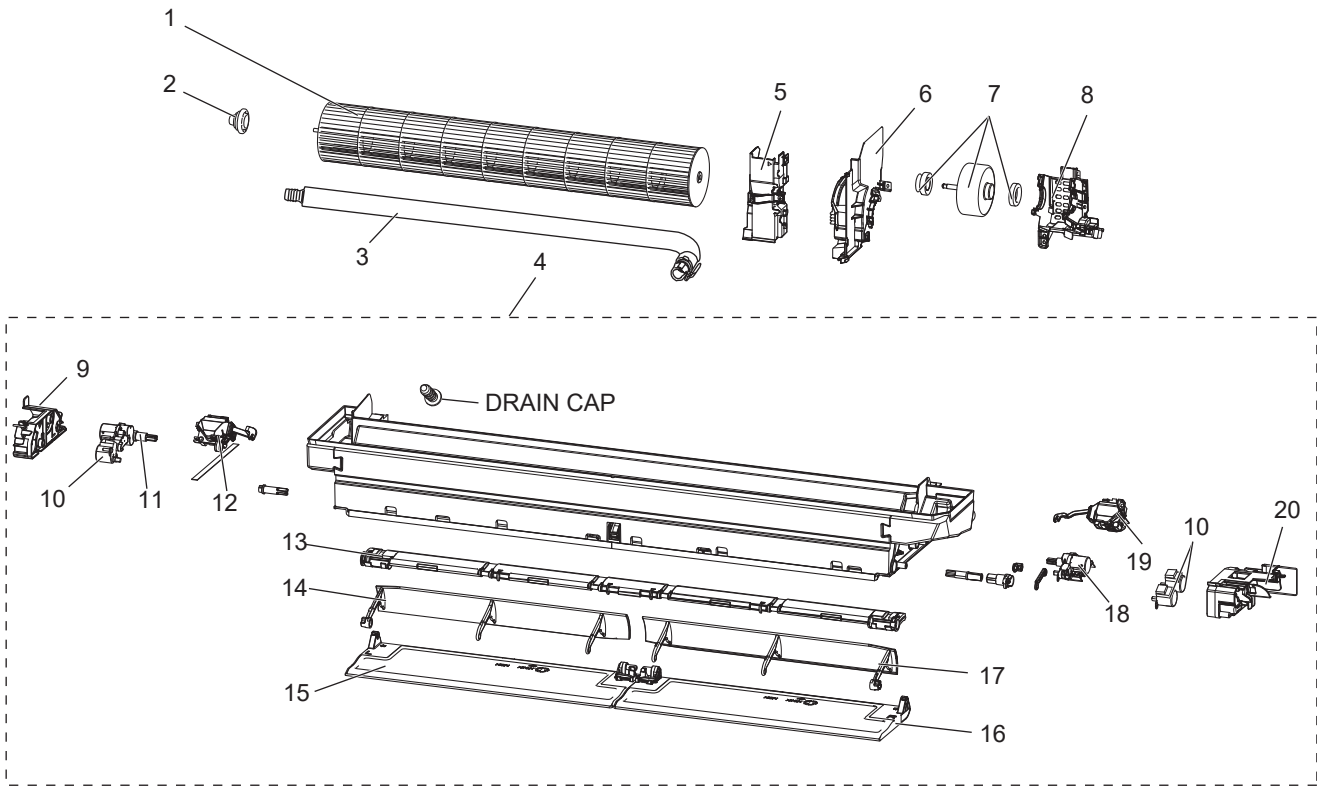
## 1-58. ACCESSORY AND REMOTE CONTROLLER

1. The part quantity below indicates the required number of pieces per unit.

No.	Part No.	Part name	MSZ-LN60VG2W - [E2]	MSZ-LN60VG2V - [E2]	MSZ-LN60VG2B - [E2]	MSZ-LN60VG2R - [E2]	MSZ-LN60VG2W - [ER2]	MSZ-LN60VG2V - [ER2]	MSZ-LN60VG2B - [ER2]	MSZ-LN60VG2R - [ER2]	MSZ-LN60VG2W - [ET2]	MSZ-LN60VG2V - [ET2]	MSZ-LN60VG2B - [ET2]	MSZ-LN60VG2R - [ET2]	Symbol in Wiring Diagram	Remarks
16	E22 65J 426	REMOTE CONTROLLER	1								1					SG19N
16	E22 66J 426	REMOTE CONTROLLER		1								1				XG19D
16	E22 67J 426	REMOTE CONTROLLER			1								1			XG19F
16	E22 68J 426	REMOTE CONTROLLER				1								1		XG19E
16	E22 91P 426	REMOTE CONTROLLER					1									SG19N
16	E22 92P 426	REMOTE CONTROLLER						1								XG19D
16	E22 93P 426	REMOTE CONTROLLER							1							XG19F
16	E22 94P 426	REMOTE CONTROLLER								1						XG19E

MSZ-LN60VG2W - [E2], [ER2], [ET2] MSZ-LN60VG2V - [E2], [ER2], [ET2]  
 MSZ-LN60VG2B - [E2], [ER2], [ET2] MSZ-LN60VG2R - [E2], [ER2], [ET2]

1-59. INDOOR UNIT ELECTRICAL PARTS AND FUNCTIONAL PARTS



## 1-59. INDOOR UNIT ELECTRICAL PARTS AND FUNCTIONAL PARTS

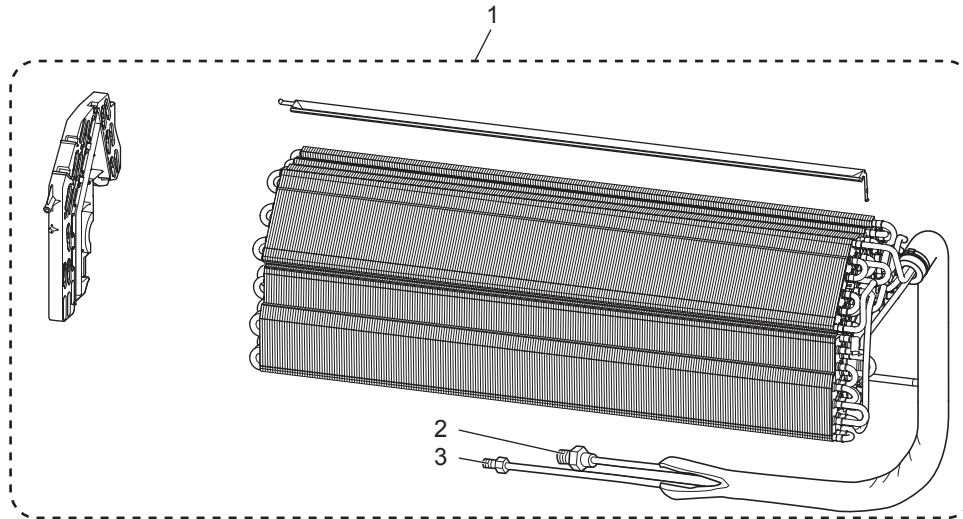
1. The part quantity below indicates the required number of pieces per unit.

No.	Part No.	Part name	MSZ-LN60VG2W -E2	MSZ-LN60VG2V -E2	MSZ-LN60VG2B -E2	MSZ-LN60VG2R -E2	MSZ-LN60VG2W -ER2	MSZ-LN60VG2V -ER2	MSZ-LN60VG2B -ER2	MSZ-LN60VG2R -ER2	MSZ-LN60VG2W -ET2	MSZ-LN60VG2V -ET2	MSZ-LN60VG2B -ET2	MSZ-LN60VG2R -ET2	Symbol in Wiring Diagram	Remarks
			1	1	1	1	1	1	1	1	1	1	1	1		
1	E22 Y52 302	LINE FLOW FAN	1	1	1	1	1	1	1	1	1	1	1	1		
2	E22 A89 509	BEARING MOUNT ASSEMBLY	1	1	1	1	1	1	1	1	1	1	1	1		
3	E22 T20 702	DRAIN HOSE	1	1	1	1	1	1	1	1	1	1	1	1		
4	E22 Y52 235	NOZZLE ASSEMBLY	1	1			1	1			1	1				Full assembly excpt drain hose
4	E22 Y60 235	NOZZLE ASSEMBLY			1				1				1			Full assembly excpt drain hose
4	E22 Y64 235	NOZZLE ASSEMBLY				1				1				1		Full assembly excpt drain hose
5	E22 Y52 541	WATER COVER	1	1	1	1	1	1	1	1	1	1	1	1		
6	E22 Y52 333	MOTOR BAND	1	1	1	1	1	1	1	1	1	1	1	1		
7	E22 Y52 300	INDOOR FAN MOTOR	1	1	1	1	1	1	1	1	1	1	1	1	MF	RC0J30-□□
8	E22 20A 333	MOTOR BED	1	1	1	1	1	1	1	1	1	1	1	1		
9	E22 65J 303	VANE MOTOR UNIT (L) (VERTICAL)	1	1	1	1	1	1	1	1	1	1	1	1	MV2	(RIGHT & LEFT)
10	E22 A89 303	VANE MOTOR (HORIZONTAL)	3	3	3	3	3	3	3	3	3	3	3	3	MV1	(UP & DOWN)
11	E22 Y53 303	OUTER VANE MOTOR (L) (HORIZONTAL)	1	1	1	1	1	1	1	1	1	1	1	1	MV1	(UP & DOWN)
12	E22 67J 303	VANE MOTOR (L) (VERTICAL)	1	1	1	1	1	1	1	1	1	1	1	1	MV2	(RIGHT & LEFT)
13	E22 Y52 046	VANE SLIDE ASSEMBLY	1	1			1	1			1	1				
13	E22 Y60 046	VANE SLIDE ASSEMBLY			1	1			1	1			1	1		
14	E22 Y53 040	INNER VANE (L)	1	1	1	1	1	1	1	1	1	1	1	1		
15	E22 Y53 041	OUTER VANE (L)	1	1			1	1			1	1				
15	E22 Y61 041	OUTER VANE (L)			1				1				1			
15	E22 Y65 041	OUTER VANE (L)				1				1				1		
16	E22 Y52 041	OUTER VANE (R)	1	1			1	1			1	1				
16	E22 Y60 041	OUTER VANE (R)			1				1				1			
16	E22 Y64 041	OUTER VANE (R)				1				1				1		
17	E22 Y52 040	INNER VANE (R)	1	1	1	1	1	1	1	1	1	1	1	1		
18	E22 Y54 303	OUTER VANE MOTOR (R) (HORIZONTAL)	1	1	1	1	1	1	1	1	1	1	1	1	MV1	(UP & DOWN)
19	E22 J44 303	VANE MOTOR (R) (VERTICAL)	1	1	1	1	1	1	1	1	1	1	1	1	MV2	(RIGHT & LEFT)
20	E22 66J 303	VANE MOTOR UNIT (R) (VERTICAL)	1	1	1	1	1	1	1	1	1	1	1	1	MV2	(RIGHT & LEFT)
21	E22 Y52 784	V.A. CLAMP	1	1	1	1	1	1	1	1	1	1	1	1		
22	E22 Y52 391	DISPLAY AND i-see SENSOR ASSEMBLY	1	1			1	1			1	1			MT	
22	E22 Y60 391	DISPLAY AND i-see SENSOR ASSEMBLY			1	1			1	1			1	1	MT	
23	E22 Y52 468	DISPLAY AND RECEIVER P.C. BOARD	1	1	1	1	1	1	1	1	1	1	1	1		
24	E22 Y52 326	SWITCH BUZZER P.C. BOARD	1	1	1	1	1	1	1	1	1	1	1	1		
25	E22 Y52 316	INTER LOCK SWITCH (AIR PURIFYING DEVICE)	1	1	1	1	1	1	1	1	1	1	1	1		
26	E22 T21 375	TERMINAL BLOCK	1	1	1	1	1	1	1	1	1	1	1	1	TB	3P
27	E22 A49 382	FUSE	1	1	1	1	1	1	1	1	1	1	1	1	F11	T3.15AL250V
28	E22 B75 385	VARISTOR	1	1	1	1	1	1	1	1	1	1	1	1	NR11	
29	E22 Y52 308	ROOM TEMPERATURE THERMISTOR	1	1	1	1	1	1	1	1	1	1	1	1	RT11	
30	E22 62J 452	ELECTRONIC CONTROL P.C. BOARD	1	1	1	1	1	1	1	1	1	1	1	1		
31	E22 Y54 307	INDOOR COIL THERMISTOR	1	1	1	1	1	1	1	1	1	1	1	1	RT12, RT13	
32	E22 Y55 440	POWER P.C. BOARD	1	1	1	1	1	1	1	1	1	1	1	1		
33	E22 77T 457	Wi-Fi INTERFACE MAC-577IF2-E	1	1	1	1	1	1	1	1	1	1	1	1		MAC-577IF2-E

MSZ-LN60VG2W - [E2], [ER2], [ET2]      MSZ-LN60VG2V - [E2], [ER2], [ET2]

MSZ-LN60VG2B - [E2], [ER2], [ET2]      MSZ-LN60VG2R - [E2], [ER2], [ET2]

**1-60. INDOOR UNIT HEAT EXCHANGER**



1. The part quantity below indicates the required number of pieces per unit.

No.	Part No.	Part name	MSZ-LN60VG2W - [E2], [ER2], [ET2]												Symbol in Wiring Diagram	Remarks
			MSZ-LN60VG2W - [E2]	MSZ-LN60VG2V - [E2]	MSZ-LN60VG2B - [E2]	MSZ-LN60VG2R - [E2]	MSZ-LN60VG2W - [ER2]	MSZ-LN60VG2V - [ER2]	MSZ-LN60VG2B - [ER2]	MSZ-LN60VG2R - [ER2]	MSZ-LN60VG2W - [ET2]	MSZ-LN60VG2V - [ET2]	MSZ-LN60VG2B - [ET2]	MSZ-LN60VG2R - [ET2]		
1	E22 Y55 620	INDOOR HEAT EXCHANGER	1	1	1	1	1	1	1	1	1	1	1	1		
2	E22 155 666	UNION (GAS)	1	1	1	1	1	1	1	1	1	1	1	1		ø12.7
3	E22 151 667	UNION (LIQUID)	1	1	1	1	1	1	1	1	1	1	1	1		ø6.35

## 1-61. AIR PURIFYING DEVICE

**Every 3 months:**

- Remove dirt by a vacuum cleaner.

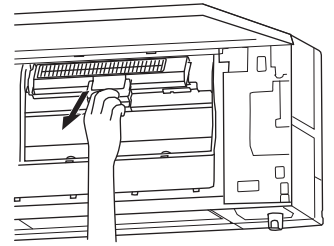
**When dirt cannot be removed by vacuum cleaning:**

- Soak the filter together with its frame in lukewarm water and rinse it.
- After washing, dry it well in shade.

**NOTE 1:** The air purifying device does not function for safety for a couple minutes after the operation starts or the front panel is opened/closed.

**NOTE 2:** Do not disassemble the air purifying device.

**NOTE 3:** Do not touch any parts other than the frame of the air purifying device.



## 1-62. AIR CLEANING FILTER

### [DEODORIZING FILTER (BLACK)]

**Every 3 months:**

- Remove dirt by a vacuum cleaner, or soak the framed filter in lukewarm water (30 to 40 °C) for about 15 minutes. Rinse well.
- After washing, dry it well in shade.
- Deodorizing feature recovers by cleaning the filter.

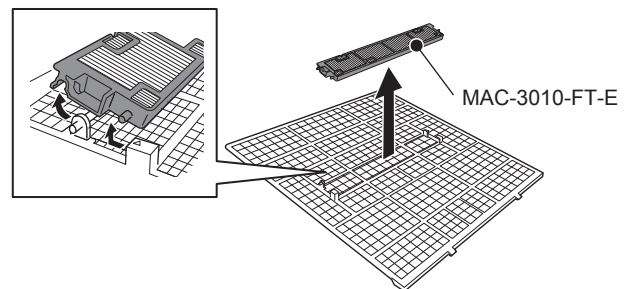
**When dirt or smell cannot be removed by cleaning:**

- Replace it with a new air cleaning filter.

**NOTE 1:** Clean the filters regularly for best performance and to reduce power consumption.

**NOTE 2:** Dirty filters cause condensation in the air conditioner which will contribute to the growth of fungi such as mold. It is therefore recommended to clean air filters every 2 weeks.

Model	Part No.
MSZ-LN18VGW	MAC-3010FT-E
MSZ-LN18VGV	
MSZ-LN18VGB	
MSZ-LN18VGR	
MSZ-LN18VG2W	
MSZ-LN18VG2V	
MSZ-LN18VG2B	
MSZ-LN18VG2R	
MSZ-LN25VGW	
MSZ-LN25VGV	
MSZ-LN25VGB	
MSZ-LN25VGR	
MSZ-LN25VG2W	
MSZ-LN25VG2V	
MSZ-LN25VG2B	
MSZ-LN25VG2R	
MSZ-LN35VGW	
MSZ-LN35VGV	
MSZ-LN35VGB	
MSZ-LN35VGR	
MSZ-LN35VG2W	
MSZ-LN35VG2V	
MSZ-LN35VG2B	
MSZ-LN35VG2R	
MSZ-LN50VGW	
MSZ-LN50VGV	
MSZ-LN50VGB	
MSZ-LN50VGR	
MSZ-LN50VG2W	
MSZ-LN50VG2V	
MSZ-LN50VG2B	
MSZ-LN50VG2R	
MSZ-LN60VGW	
MSZ-LN60VGV	
MSZ-LN60VGB	
MSZ-LN60VGR	
MSZ-LN60VG2W	
MSZ-LN60VG2V	
MSZ-LN60VG2B	
MSZ-LN60VG2R	



## 2-1. AIR CLEANING FILTER

## [SILVER-IONIZED AIR PURIFIER FILTER, OPTION (BLUE)]

## Every 3 months:

- Remove dirt by a vacuum cleaner.

## When dirt cannot be removed by vacuum cleaning:

- Soak the filter and its frame in lukewarm water before rinsing it.
- After washing, dry it well in shade. Install all tabs of the air filter.

## Every year:

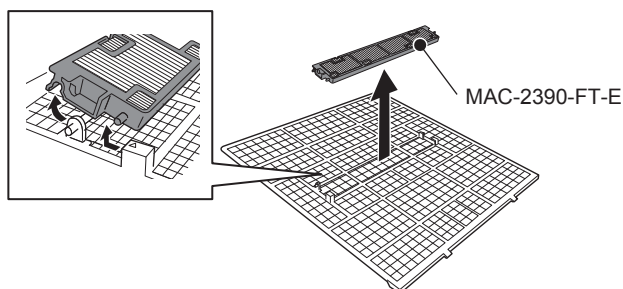
- Replace it with a new air cleaning filter for best performance.

**NOTE 1:** Clean the filters regularly for best performance and to reduce power consumption.

**NOTE 2:** Dirty filters cause condensation in the air conditioner which will contribute to the growth of fungi such as mold.

It is therefore recommended to clean air filters every 2 weeks.

Model	Part No.
MSZ-LN18VGW	MAC-2390FT-E
MSZ-LN18VGV	
MSZ-LN18VGB	
MSZ-LN18VGR	
MSZ-LN18VG2W	
MSZ-LN18VG2V	
MSZ-LN18VG2B	
MSZ-LN18VG2R	
MSZ-LN25VGW	
MSZ-LN25VGV	
MSZ-LN25VGB	
MSZ-LN25VGR	
MSZ-LN25VG2W	
MSZ-LN25VG2V	
MSZ-LN25VG2B	
MSZ-LN25VG2R	
MSZ-LN35VGW	
MSZ-LN35VGV	
MSZ-LN35VGB	
MSZ-LN35VGR	
MSZ-LN35VG2W	
MSZ-LN35VG2V	
MSZ-LN35VG2B	
MSZ-LN35VG2R	
MSZ-LN50VGW	
MSZ-LN50VGV	
MSZ-LN50VGB	
MSZ-LN50VGR	
MSZ-LN50VG2W	
MSZ-LN50VG2V	
MSZ-LN50VG2B	
MSZ-LN50VG2R	
MSZ-LN60VGW	
MSZ-LN60VGV	
MSZ-LN60VGB	
MSZ-LN60VGR	
MSZ-LN60VG2W	
MSZ-LN60VG2V	
MSZ-LN60VG2B	
MSZ-LN60VG2R	



# MITSUBISHI ELECTRIC CORPORATION

HEAD OFFICE: TOKYO BUILDING, 2-7-3, MARUNOUCHI, CHIYODA-KU, TOKYO 100-8310, JAPAN

© Copyright 2016 MITSUBISHI ELECTRIC CORPORATION

Issued: Aug. 2021. No. OBB766 REVISED EDITION-D

Issued: Dec. 2020. No. OBB766 REVISED EDITION-C

Issued: Dec. 2019. No. OBB766 REVISED EDITION-B

Issued: Mar. 2018. No. OBB766 REVISED EDITION-A

Published: Dec. 2016. No. OBB766

Made in Japan

Specifications are subject to change without notice.